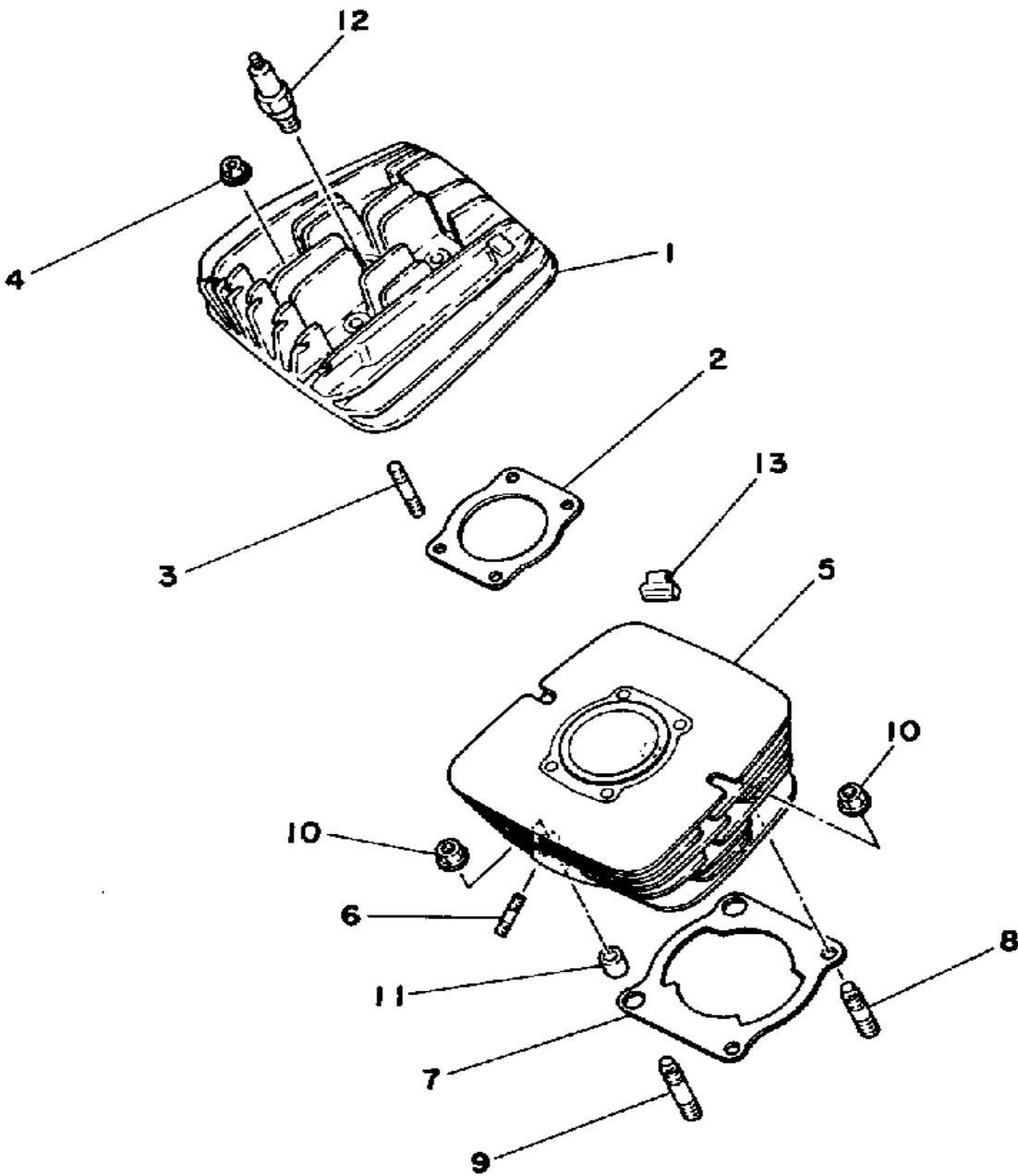


YAMAHA

GENUINE

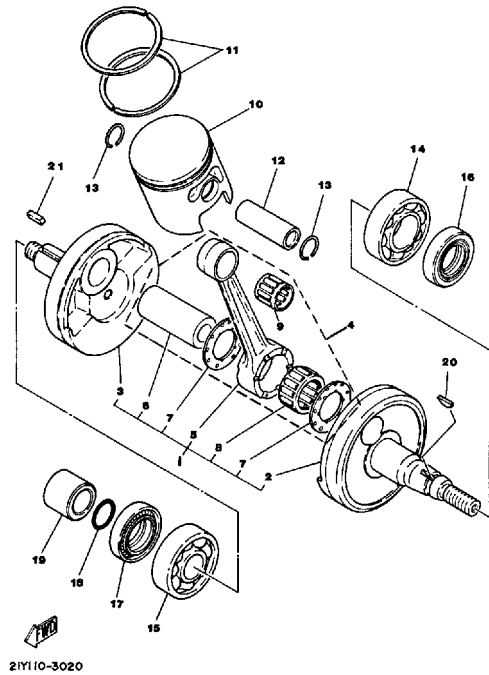
PARTS CATALOGUE

ALL TERRAIN VEHICLE



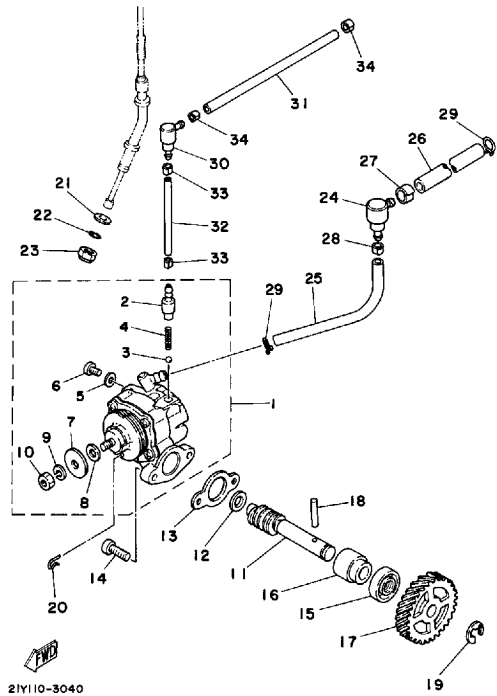
CYLINDER

Ref. No.	Part Number	Description	Qty	Remarks
1	3X3-11111-00-00	HEAD, CYLINDER 1	1	
2	3X3-11181-01-00	GASKET, CYLINDER HEAD 1 .	1	
3	90116-08394-00	BOLT, STUD	4	
4	95701-08500-00	NUT, FLANGE (95702-08500) ..	4	
5	3X3-11311-00-00	CYLINDER 1	1	
6	90116-06016-00	BOLT, STUD	2	
7	18G-11351-01-00	GASKET, CYLINDER	1	
8	90116-10278-00	BOLT, STUD	2	
9	90116-10279-00	BOLT, STUD	2	
10	90179-10279-00	NUT	4	
11	99530-14016-00	PIN, DOWEL	2	
12	NGK-BP6ES-00-00	NGK BP6ES 4PK (94701-00000-04)	1	
13	(3X3-11129-00-00)	ABSORBER 5	1	



CRANKSHAFT - PISTON

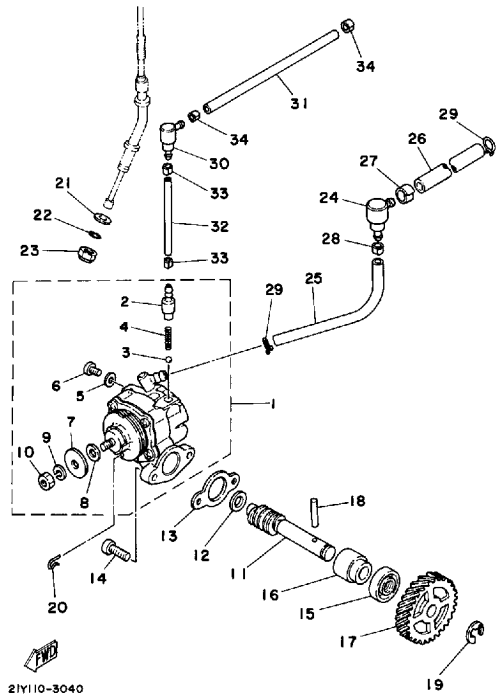
Ref. No.	Part Number	Description	Qty	Remarks
1	2N4-11400-00-00	CRANKSHAFT ASSEMBLY . . .	1	
2	1W1-11412-01-00	. CRANK 1	1	
3	1W1-11422-01-00	. CRANK 2	1	
4	2N4-11650-00-00	. CONNECTING ROD ASSEMBLY	1	
5	25V-11651-00-00	. . ROD, CONNECTING 1	1	
6	3M5-11681-00-00	. . PIN, CRANK 1	1	
7	90209-22248-00	. . WASHER	2	
8	93310-422L0-00	. . BEARING	1	
9	93310-216L2-00	. . BEARING, CYLINDRICAL . .	1	
10	3X3-11631-00-97	. PISTON STD	1	
	3X3-11635-00-00	. PISTON 1 O/S 0. 5	1	ALT. PART
	3X3-11636-00-00	. PISTON 2 O/S 0. 0	1	ALT. PART
11	3X3-11610-00-00	. PISTON RINGSET STD	1	
	3X3-11610-10-00	. PISTON RINGSET 1ST	1	ALT. PART
	3X3-11610-20-00	. PISTON RINGSET 2ND	1	ALT. PART
12	137-11633-00-00	. PIN, PISTON	1	
13	93450-17044-00	. CIRCLIP	2	
14	93306-20529-00	BEARING (B6205C4)	1	
15	93306-30421-00	BEARING (B6304C3)	1	
16	93103-25125-00	OIL SEAL, SW-TYPE	1	
17	93103-28011-00	OIL SEAL, SW-TYPE (93103-28100)	1	
18	93210-180A6-00	O-RING	1	
19	90387-20488-00	COLLAR	1	
20	90280-03004-00	KEY, WOODRUFF	1	
21	90282-05005-00	KEY, STRAIGHT	1	



OIL PUMP

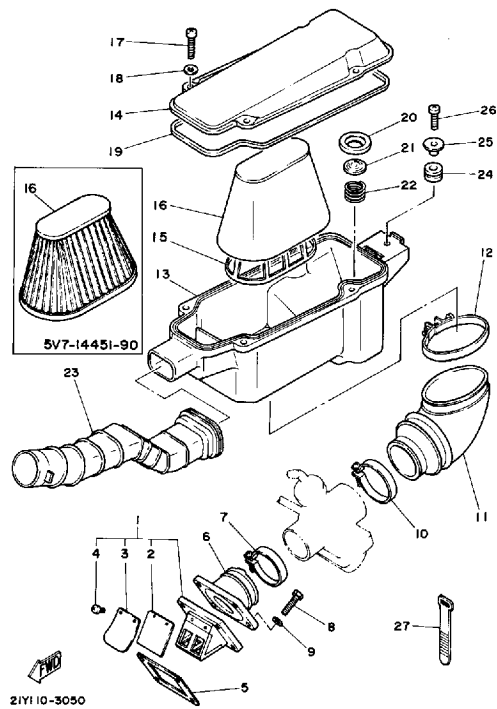
Ref. No.	Part Number	Description	Qty	Remarks
1	3X3-13101-00-00	OIL PUMP ASSEMBLY	1	
2	402-13552-00-00	. NOZZLE	1	
3	93505-32002-00	. BALL	1	
4	90501-02018-00	. SPRING, COMPRESSION	1	
5	90430-04004-00	. GASKET	1	
6	98901-04008-00	. SCREW, BIND	1	
7	137-13138-01-00	. PLATE, ADJUSTING	1	
8	137-13137-00-03	. SHIM, PLUNGER (0.3T)	1	U.R.
	137-13137-00-05	. SHIM, PLUNGER (0.5T)	1	U.R.
	137-13137-00-10	. SHIM, PLUNGER (1.0T)	1	U.R.
9	92990-05100-00	. WASHER, SPRING	1	
10	95380-05600-00	. NUT	1	
11	3X3-13175-00-00	SHAFT, WORM	1	
12	90201-08624-00	WASHER, PLATE	1	
13	3MT-13116-00-00	GASKET, PUMP CASE	1	
14	98580-05016-00	SCREW, PAN HEAD	2	
15	93101-10002-00	OIL SEAL	1	
16	1E7-13176-00-00	METAL, WRM SHAF OTR	1	
17	2A6-13178-00-00	GEAR, PUMP DRIVE	1	
18	93603-22028-00	PIN, DOWEL	1	
19	99001-08600-00	CIRCLIP	1	
20	3X3-13133-00-00	CLIP	1	
21	92901-08600-00	WASHER, PLATE	1	
22	93210-07100-00	O-RING	1	
23	90185-08055-00	NUT, SELF-LOCKING	1	
24	2A6-13115-01-00	CONNECTOR, SCTN PPE	1	
25	90445-07219-00	HOSE	1	
26	90445-09100-00	HOSE	1	
27	90468-02078-00	CLIP	1	

CONTINUED ON NEXT FRAME ►



OIL PUMP

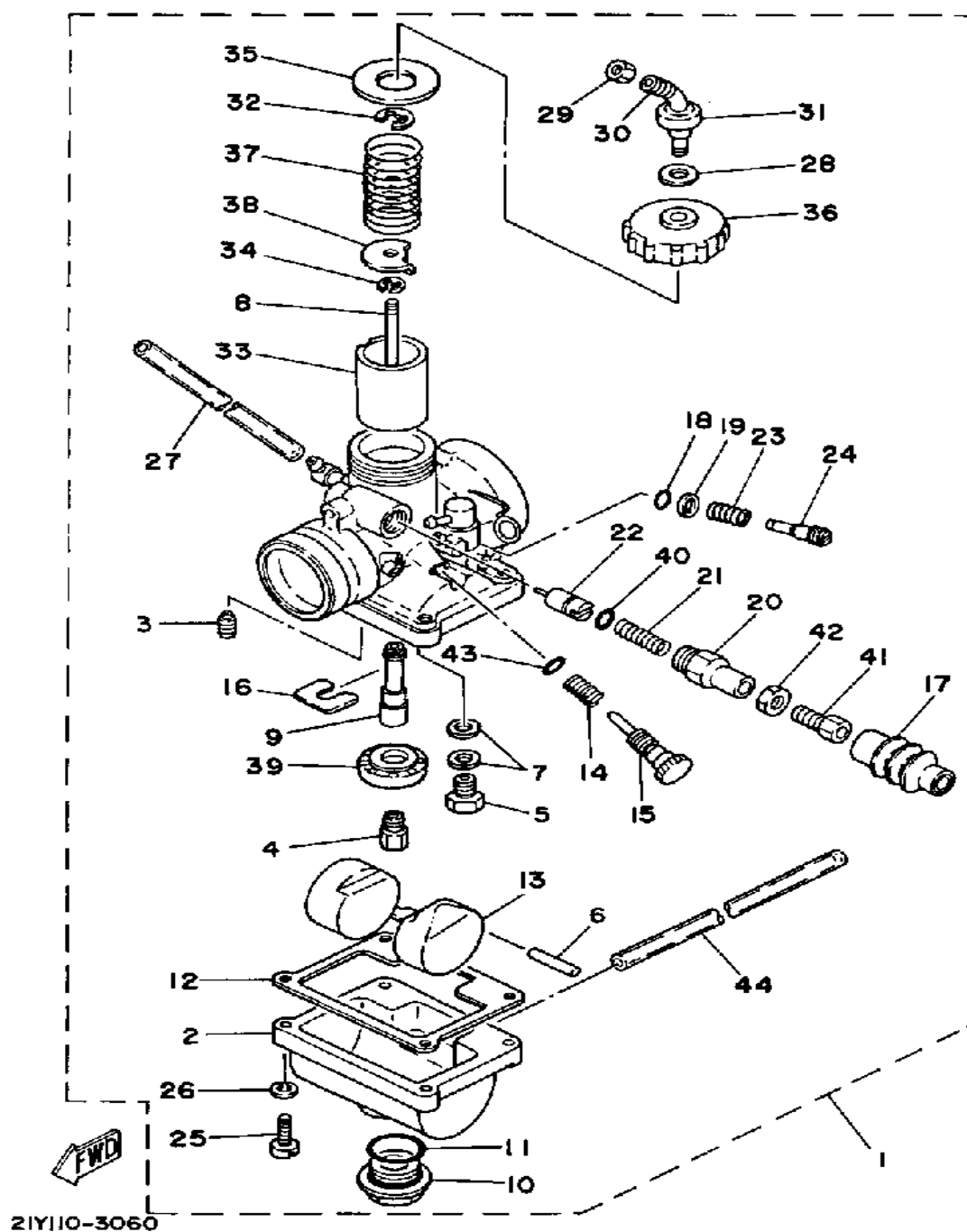
Ref. No.	Part Number	Description	Qty	Remarks
28	90468-02025-00	CLIP	1	
29	90467-08003-00	CLIP	2	
30	2A6-13165-01-00	UNAVAILABLE IN PRICE BOOK	1	
31	90445-05024-00	HOSE (835-13171-00)	1	
32	90445-05019-00	HOSE	1	
33	90468-02033-00	CLIP	2	
34	90468-02033-00	CLIP	2	



AIR CLEANER

Ref. No.	Part Number	Description	Qty	Remarks
1	3X3-13610-00-00	REED VALVE ASSEMBLY	1	
2	4X8-13613-10-00	. REED, VALVE	2	
3	3X3-13616-00-00	. STOPPER, REED VALVE	2	
4	98580-03008-00	. SCREW, PAN HEAD (98501-03008-00)	4	
5	87A-13621-00-00	GASKET, VALVE SEAT	1	
6	3X3-13586-00-00	JOINT, CARBURETOR 1	1	
7	90460-43053-00	CLAMP, HOSE	1	
8	97011-06025-00	BOLT (97001-06025)	4	
9	90201-061A5-00	WASHER, PLATE	4	
10	90460-49058-00	CLAMP, HOSE	1	
11	5V7-14453-00-00	JOINT, AIR CLNR 1	1	
12	90460-01186-00	CLAMP, HOSE	1	
13	5V7-14411-00-00	CASE, AIR CLEANER 1	1	
14	5V7-14412-00-00	CAP, CLEANER CASE 1	1	
15	5V7-14458-00-00	GUIDE, ELEMENT	1	
16	5V7-14451-00-00	ELEMENT, AIR CLNR	1	U.R.WET ELEMENT
	5V7-14451-90-00	ELEMENT, AIR CLNR	1	U.R.DRY ELEMENT
17	98580-06020-00	SCREW, PAN HEAD	4	
18	90201-061A5-00	WASHER, PLATE	4	
19	1VJ-14462-00-00	SEAL	1	
20	93104-18006-00	OIL SEAL, SO-TYPE	1	
21	3X3-14477-00-00	PLATE	1	
22	90501-05588-00	SPRING, COMPRESSION	1	
23	5V7-14437-00-00	DUCT	1	
24	90480-14229-00	GROMMET	1	
25	90387-06033-00	COLLAR	1	
26	98511-06025-00	SCREW PAN HEAD	1	
27	437-83936-11-00	BAND, SWITCH CORD	1	

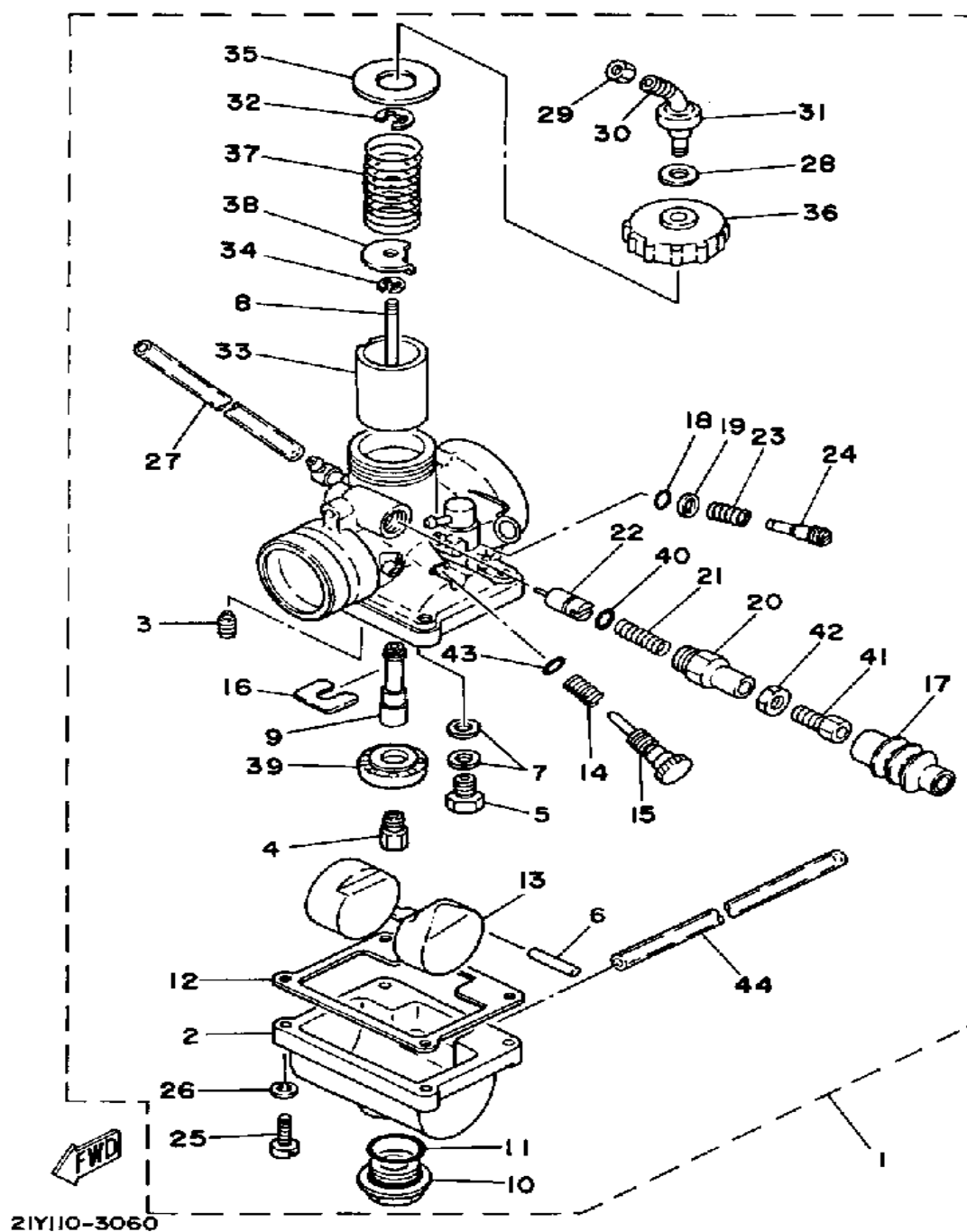
CARBURETOR



Ref. No.	Part Number	Description	Qty	Remarks
1	5V6-14101-02-00	CARBURETOR ASSEMBLY 1	1	
2	(2Y1-14181-10-00)	BODY, FLOAT CHMBR 1	1	
	(5V6-14181-00-00)	BODY, FLOAT CHMBR 1	1	
3	260-14142-25-00	. JET, PILOT (# 25)	1	
4	137-14143-39-00	. JET, MAIN #1 5	1	U.R.
	137-14143-40-A1	. JET, MAIN #200 (200)	1	U.R. STD
	137-14143-42-A1	. JET, MAIN #210 (210)	1	U.R.
5	3X3-14190-15-00	. NEEDLE VALVE ASSEMBLY	1	
6	127-14186-00-00	. PIN, FLOAT	1	
7	127-14195-00-00	. WASHER, NEEDLE VALVE	2	
8	3L2-14116-16-00	. NEEDLE	1	
9	(5V6-14141-30-00)	NOZZLE, MAIN	1	
10	500-14115-00-00	. PLUG, SCREW	1	
11	558-14147-00-00	. O-RING	1	
12	304-14184-00-00	. GASKET, FLOAT CHMBR	1	
13	304-14185-00-00	. FLOAT	1	
14	493-14133-00-00	. SPRING, THRTL STOP	1	
15	493-14122-00-00	. SCREW, THROTTLE	1	
16	(3X3-14146-00-00)	PLATE	1	
17	5V7-14169-00-00	. CAP	1	
18	3H1-14147-00-00	. O-RING	1	
19	3H1-14962-00-00	. WASHER	1	
20	(21V-14174-00-00)	CAP, PLUNGER	1	
	5V7-14174-00-00	. CAP, PLUNGER	1	
21	127-14135-00-00	. SPRING, PLUNGER	1	
	21V-14135-00-00	. SPRING, PLUNGER (125L)	1	
22	21V-14171-00-00	. PLUNGER, STARTER (125L)	1	
	5V7-14171-00-00	. PLUNGER, STARTER	1	
23	174-14134-00-00	. SPRING, AIR ADJUSTING	1	

CONTINUED ON NEXT FRAME ►

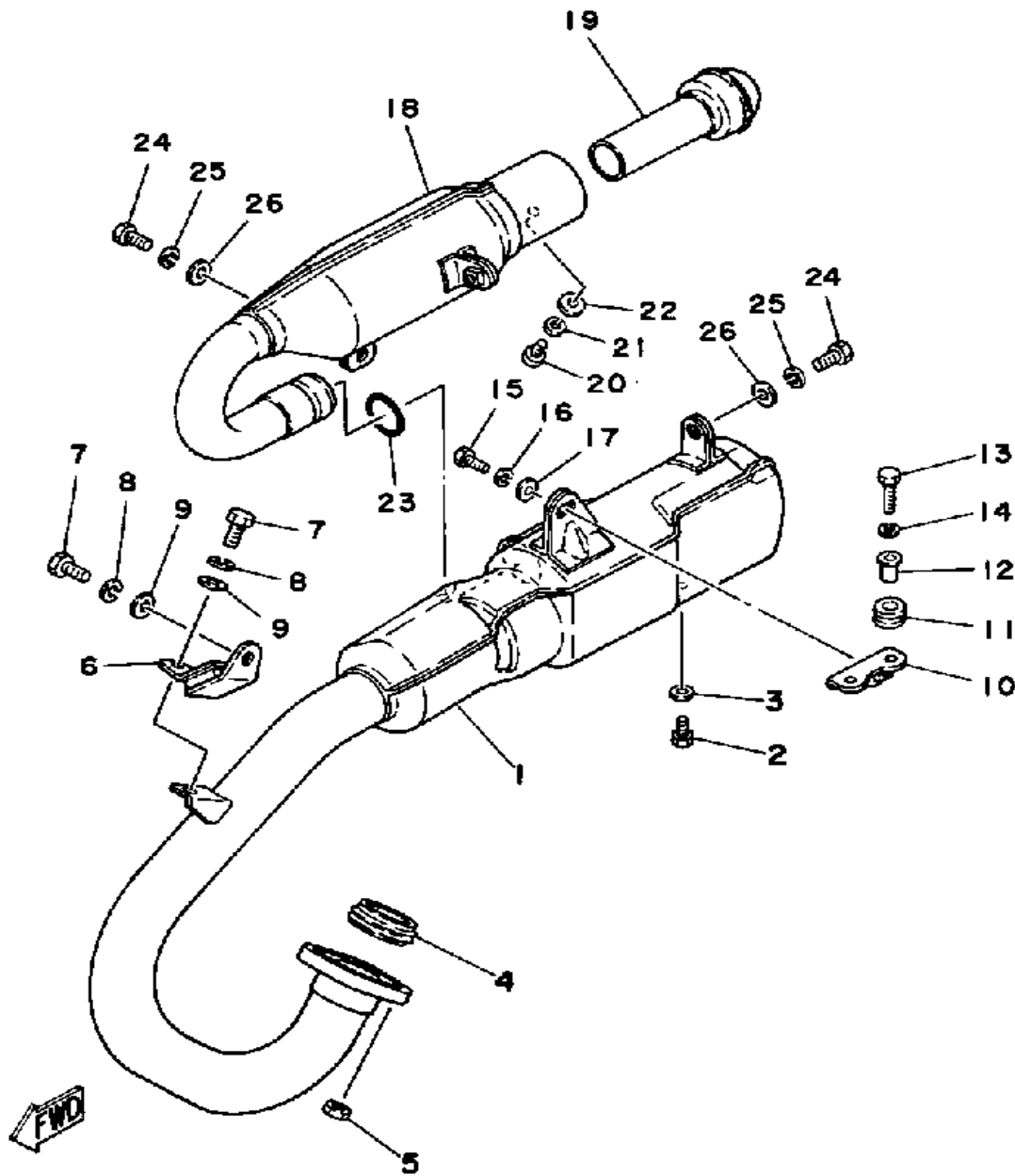
CARBURETOR



Ref. No.	Part Number	Description	Qty	Remarks
24	3A3-14123-00-00	. SCREW, AIR ADJUSTING ...	1	
25	98503-04014-00	. SCREW, PAN HEAD	4	
26	92901-04100-00	. WASHER, SPRING	4	
27	3X3-14197-00-00	. PIPE, AIR VENT	2	
28	509-14198-00-00	. GASKET	1	
29	127-14161-00-00	. NUT, CABLE ADJUSTING ...	1	
30	10X-14106-00-00	. CABLE ADJUST SCREW SET	1	
31	3X3-14169-00-00	. CAP	1	
32	363-14137-00-00	. CLIP	1	
33	304-14112-15-00	. VALVE, THROTTLE 1	1	
34	164-14137-00-00	. CLIP	1	
35	3A3-14126-00-00	. GASKET	1	
36	1T9-14158-00-00	. TOP, MIXING CHAMBER	1	
37	3X3-14131-00-00	. SPRING, THRTL VALVE	1	
38	137-14136-00-00	. SEAT, SPRING	1	
39	(3R1-14153-00-00)	WASHER, MAIN JET	1	
40	93210-04121-00	. O-RING	1	
41	12G-14106-00-00	. CBLE ADJUST SCREW SET .	1	
42	802-14161-00-00	. NUT, CABLE ADJUSTING ...	1	
43	214-14147-00-00	. O-RING	1	
44	3L7-14197-00-00	. PIPE, AIRVENT	1	
45	18M-14144-11-00	. JET, STARTER (#55)	1	SEE NOTE

EXHAUST

Ref. No.	Part Number	Description	Qty	Remarks
1	(3X3-14610-01-00)	EXHAUST PIPE ASSEMBLY ..	1	
2	97011-06010-00	BOLT (97002-06010)	1	
3	90201-061A5-00	WASHER, PLATE	1	
4	152-14613-00-00	GASKET, EXST PIPE	1	
5	95380-06600-00	NUT, HEXAGON	2	
6	2A6-14772-00-00	STAY, MUFFLER 2	1	
7	97302-08018-00	BOLT, HEXAGON	2	
8	92990-08100-00	WASHER, SPRING	2	
9	92901-08600-00	WASHER, PLATE	2	
10	5V7-14771-00-00	STAY, MUFFLER 1	1	
11	90480-14023-00	GROMMET	2	
12	90387-06388-00	COLLAR	2	
13	97011-06025-00	BOLT (97001-06025)	2	
14	92995-06100-00	WASHER, SPRING	2	
15	97302-08018-00	BOLT, HEXAGON	1	
16	92990-08100-00	WASHER, SPRING	1	
17	92901-08600-00	WASHER, PLATE	1	
18	3X3-14753-00-00	SILENCER, EXHAUST	1	
19	3X3-14752-00-00	PIPE, OUTLET	1	
20	98580-06012-00	SCREW, PAN HEAD (92501-06012-00)	1	
21	92995-06100-00	WASHER, SPRING	1	
22	90201-061A5-00	WASHER, PLATE	1	
23	93210-27250-00	O-RING	1	
24	97313-08018-00	BOLT, HEXAGON	2	
25	92990-08100-00	WASHER, SPRING	2	

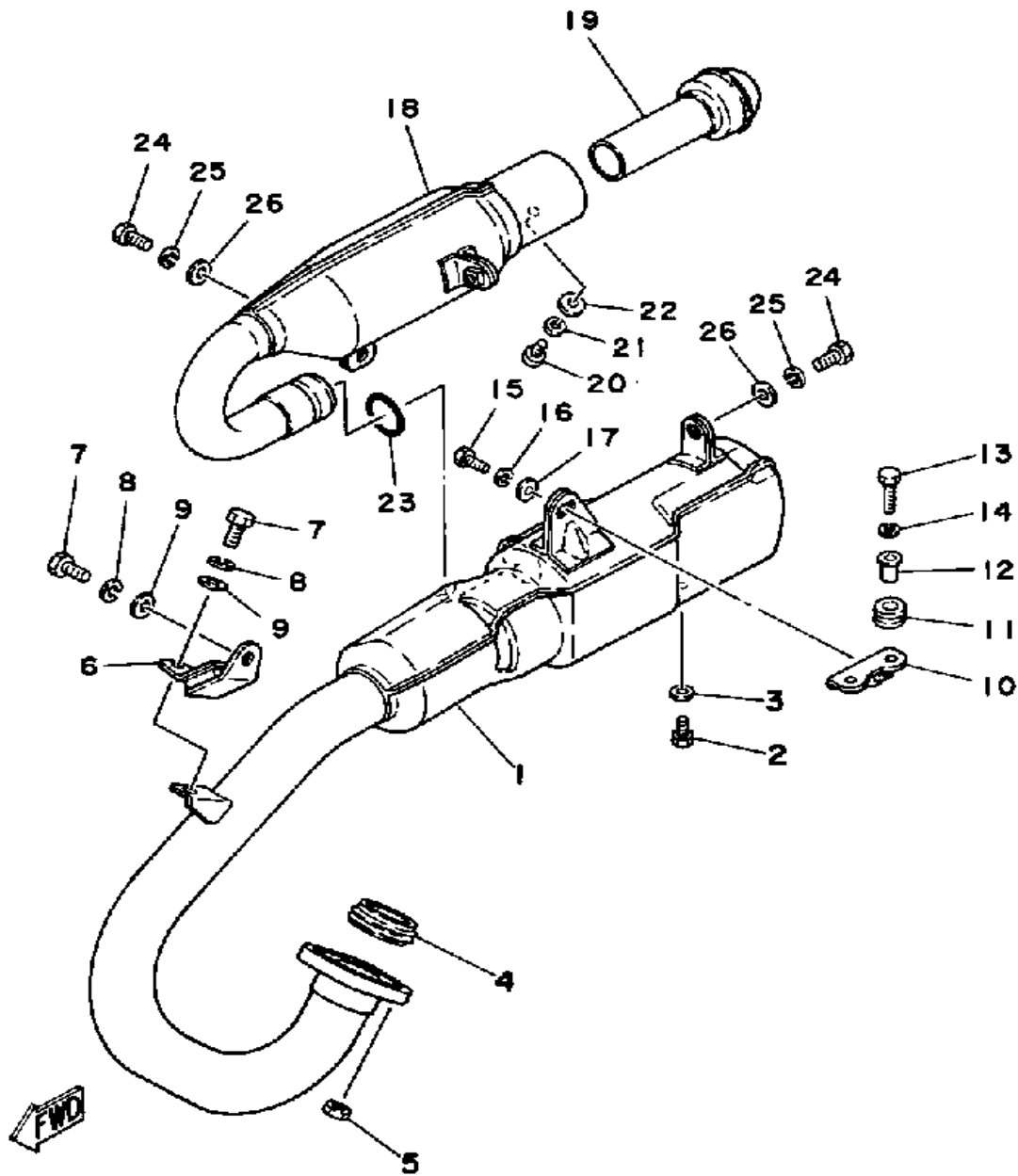


21Y110-3070

CONTINUED ON NEXT FRAME ►

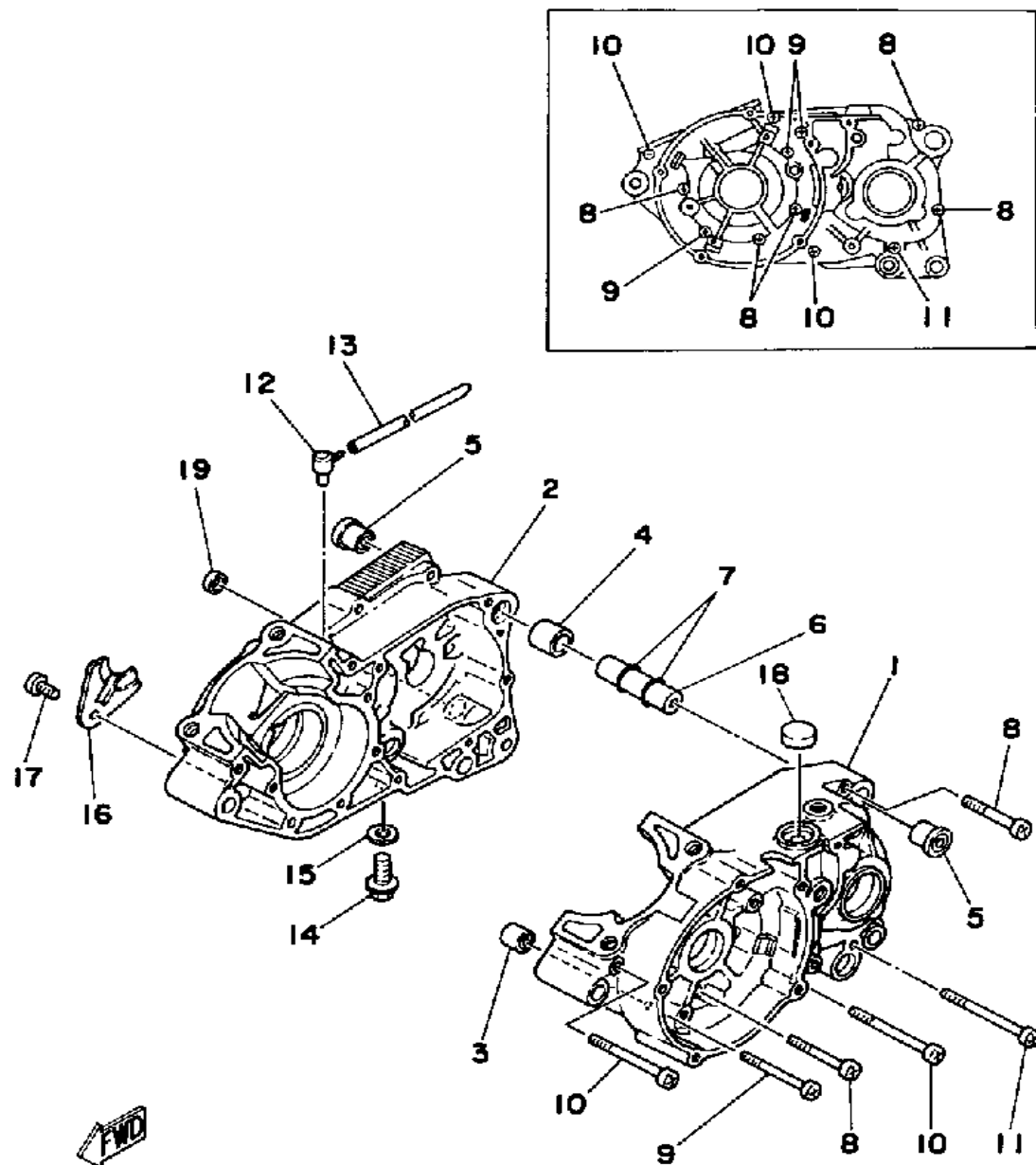
EXHAUST

Ref. No.	Part Number	Description	Qty	Remarks
26	92901-08600-00	WASHER, PLATE	2	



21Y110-3070

CRANKCASE

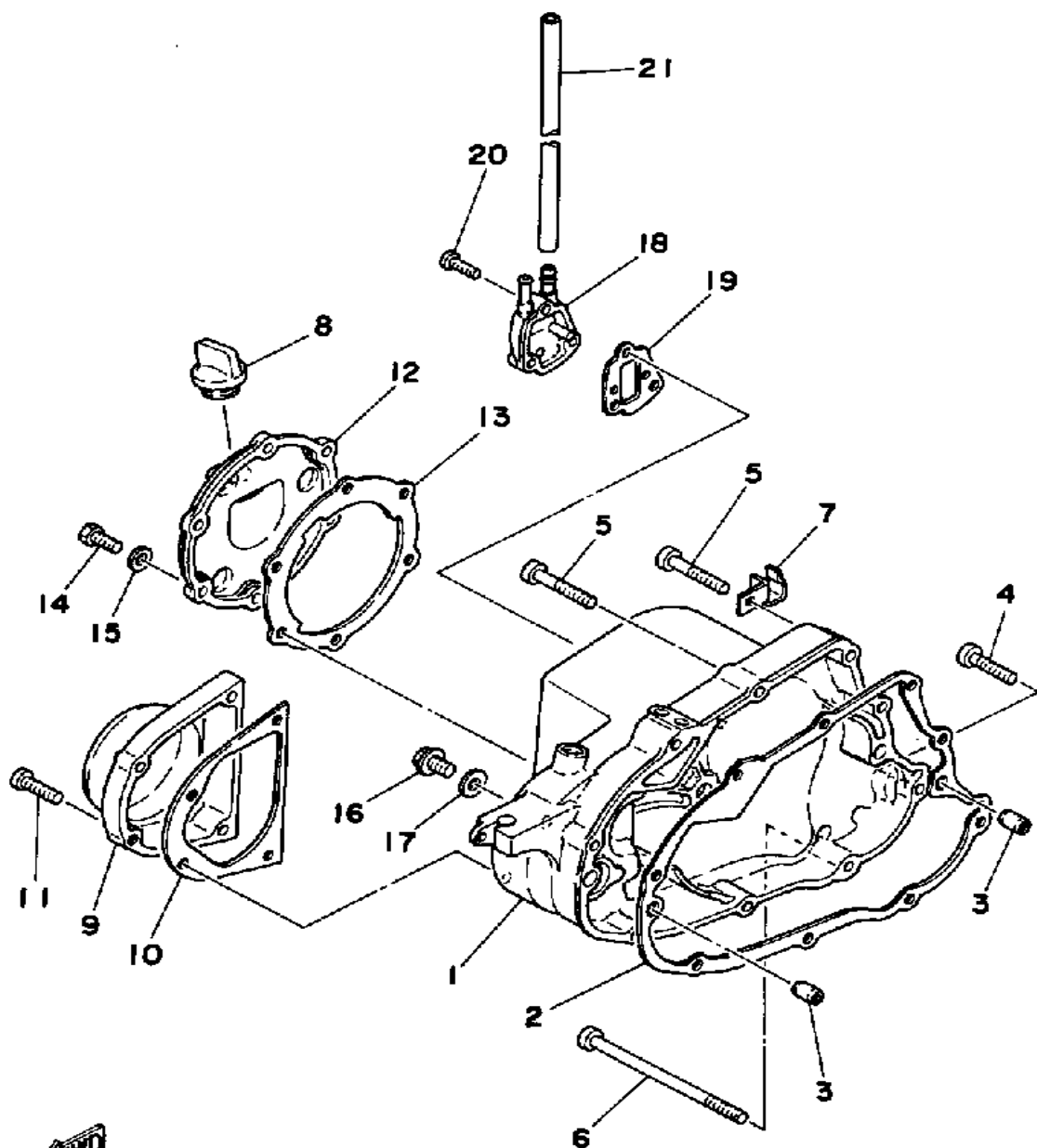


Ref. No.	Part Number	Description	Qty	Remarks
1	3M2-15111-00-00	CRANKCASE 1	1	
2	2A6-15121-01-00	CRANKCASE 2	1	
3	99530-10014-00	PIN, DOWEL	1	
4	99510-20020-00	PIN, DOWEL	1	
5	328-15316-00-00	DAMPER, ENG MOUNT 1 (328-15316-00)	2	
6	401-15317-00-00	SPACER, ENG MOUNT	1	
7	93210-11073-00	O-RING	2	
8	98580-06550-00	SCREW PAN HEAD	5	
9	92580-06560-00	SCREW PAN HEAD	3	
10	98501-06070-00	SCREW, PAN HEAD	3	
11	98501-06075-00	SCREW, PAN HEAD	1	
12	2N4-15371-00-00	BREATHER	1	
13	90445-07371-00	HOSE	1	
14	90340-12005-00	PLUG, STRAIGHT SCRW	1	
15	90430-12207-00	GASKET	1	
16	304-15128-00-00	HOLDER	1	
17	92501-08010-00	SCREW, PAN HEAD	1	
18	90331-25024-00	PLUG	1	
19	90338-10063-00	PLUG, SPEC'L SHAPE	1	


20E110-3080

CRANKCASE COVER

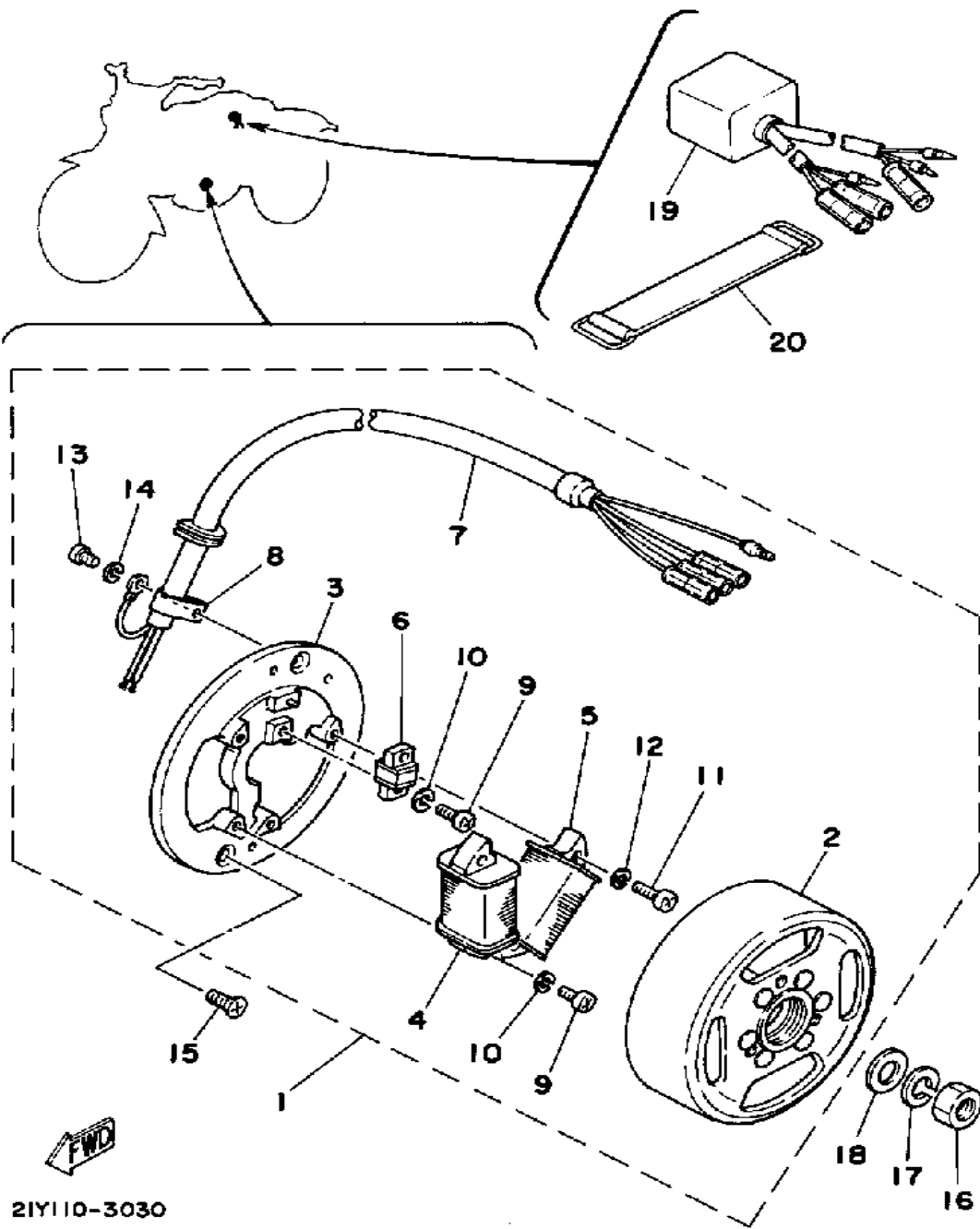
Ref. No.	Part Number	Description	Qty	Remarks
1	(5V6-15431-02-00)	COVER, CRANKCASE 3	1	
2	18G-15451-01-00	GASKET, CRCS. COVER	1	
3	99530-10014-00	PIN, DOWEL	2	
4	98580-06030-00	SCREW PAN HEAD	1	
5	98580-06040-00	SCREW, PAN HEAD	7	
6	92501-06115-00	SCREW, PAN HEAD	1	
7	90465-06176-00	CLAMP	1	
8	116-15363-00-00	PLUG, OIL	1	
9	3X3-15416-00-00	COVER, OIL PUMP	1	
10	2A6-15456-00-00	GASKET, O/PMP CVR 1	1	
11	98511-06025-00	SCREW PAN HEAD	4	
12	3X3-15429-01-00	COVER, SHIFTER (3X3-15429-00)	1	
13	3X3-15459-00-00	GASKET, SHFTR COVER	1	
14	97313-06016-00	BOLT	6	
15	(90201-06600-00)	WASHER, PLATE	6	
16	95811-08012-00	BOLT, FLANGE (95801-08012-00)	1	
17	90430-08023-00	GASKET	1	
18	3X3-15417-00-00	COVER, CAP	1	
19	3X3-15343-00-00	GASKET, DRAIN	1	
20	98901-05018-00	SCREW, BIND	3	
21	90446-09155-00	HOSE	1	



20E110-3090

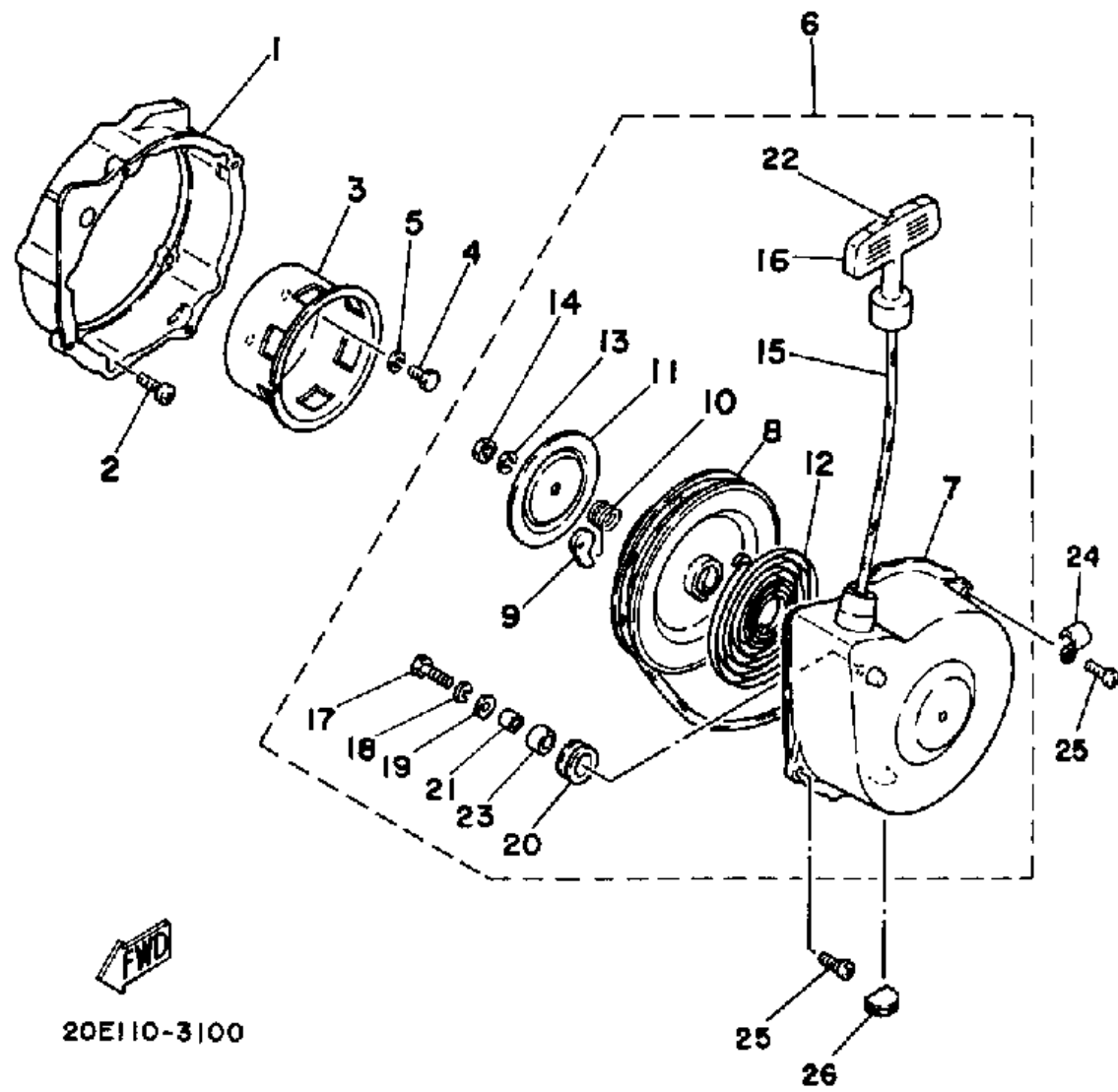
C - D - I - MAGNETO

Ref. No.	Part Number	Description	Qty	Remarks
1	3X3-85500-20-00	CDI MAGNETO ASSEMBLY . . .	1	
2	(3X3-85550-20-00)	ROTOR ASSEMBLY	1	
3	3M2-85509-21-00	. BASE, MAGNETO	1	
4	3X3-85512-20-00	. COIL SOURCE 2	1	
5	3X3-85513-20-00	. COIL, LIGHTING 1	1	
6	3A3-85580-20-00	. COIL, PULSER	1	
7	(3X3-85515-20-00)	LEAD WIRE ASSEMBLY	1	
8	104-81328-20-00	. CLAMP	1	
9	98580-04010-00	. SCREW, PAN HEAD	3	
10	92901-04600-00	. WASHER, PLATE	3	
11	98511-04025-00	. SCREW, PAN HEAD	2	
12	92901-04600-00	. WASHER, PLATE	2	
13	98511-04006-00	. SCREW, PAN HEAD	1	
14	92901-04600-00	. WASHER, PLATE	1	
15	(92503-05012-00)	SCREW, PAN HEAD	2	
16	90170-12347-00	NUT, HEXAGON	1	
17	92901-12100-00	WASHER, SPRING	1	
18	90201-12593-00	WASHER, PLATE	1	
19	3X3-85540-20-00	CDI UNIT ASSEMBLY	1	
20	120-82131-00-00	BAND, BATTERY	1	



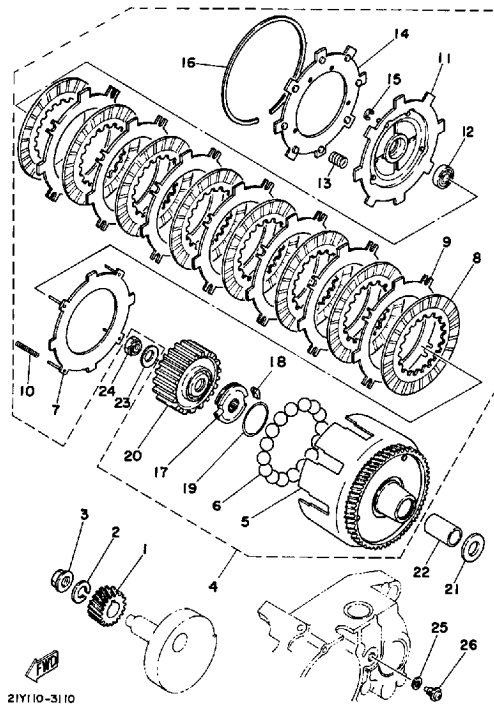
21Y110-3030

STARTER



Ref. No.	Part Number	Description	Qty	Remarks
1	3X3-15787-00-00	ADAPTOR	1	
2	98580-06020-00	SCREW, PAN HEAD	5	
3	3X3-15723-01-00	PULLEY, STARTER (3X3-15723-00)	1	
4	97013-06012-00	BOLT	3	
5	92995-06100-00	WASHER, SPRING	3	
6	20E-15710-00-00	STARTER ASSEMBLY	1	
7	20E-15645-00-00	. SHIM, KICK SHAFT	1	SEE NOTE
	20E-15711-00-00	. CASE, STARTER	1	
8	3X3-15714-01-00	. DRUM, SHEAVE	1	
9	3X3-15741-00-00	. PAWL, DRIVE	1	
10	3X3-15715-00-00	. SPRING, DRIVE PLATE	1	
11	3X3-15716-00-00	. PLATE, DRIVE	1	
12	3X3-15713-00-00	. SPRING, STARTER	1	
13	92990-08100-00	. WASHER, SPRING	1	
14	812-14594-00-00	. NUT	1	
15	5V6-15751-00-XX	. ROPE STARTER	1	
16	3X3-15755-00-00	. HANDLE, STARTER	1	
17	97011-06025-00	. BOLT (97001-06025)	1	
18	92995-06100-00	. WASHER, SPRING	1	
19	6F5-15791-00-00	. WASHER, LOCK	1	
20	663-15752-00-00	. ROLLER, WIRE	1	
21	6F5-15753-00-00	. BUSH	1	
22	21V-15779-00-00	. COVER	1	
23	5V6-15754-00-00	. BUSH 2	1	
24	90465-08028-00	CLAMP	1	
25	98516-06020-00	SCREW, PAN HEAD	4	
26	90480-15312-00	GROMMET	1	

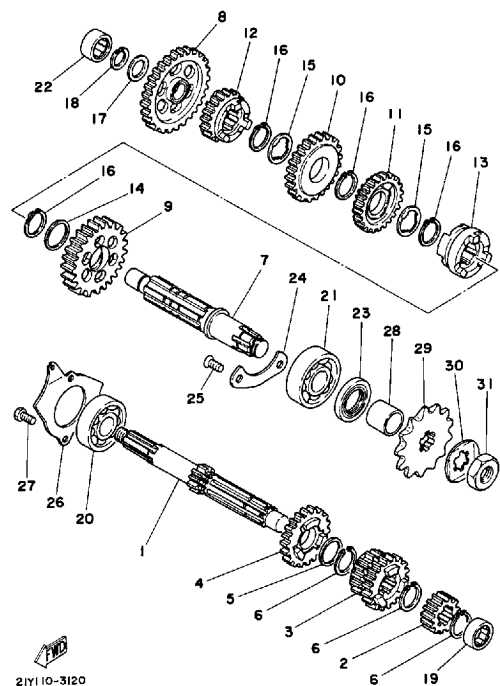
20E110-3100



CLUTCH

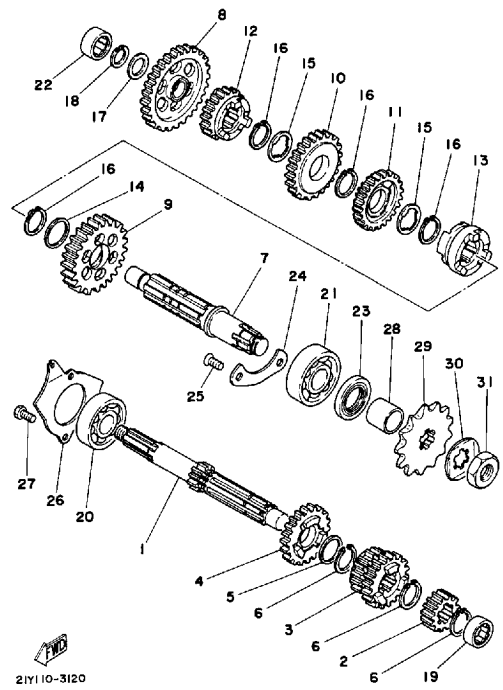
Ref. No.	Part Number	Description	Qty	Remarks
1	2A6-16111-00-00	GEAR, PRI DRIVE	1	
2	90204-12007-00	WASHER, SPRING	1	
3	90179-12244-00	NUT, SPEC'L SHAPE	1	
4	(5V6-16300-00-00)	CLUTCH ASSEMBLY	1	
5	5V6-16150-00-00	. PRI DRVN GEAR	1	
6	93505-08030-00	. BALL	16	
7	5V6-16520-00-00	. PLATE, THRST WEIGHT	1	
8	3X3-16521-00-00	. PLATE, FRICTION	8	
9	3X3-16524-00-00	. PLATE, CLUTCH 1	7	U.R.
	3X3-16524-10-00	. PLATE, CLUTCH 1	7	U.R.
	3X3-16524-20-00	. PLATE, CLUTCH 1	7	U.R.
10	90501-10653-00	. SPRING, COMPRESSION	4	
11	3X3-16550-00-00	. PRESSURE PLATE ASSEMBLY	1	
12	93306-00004-00	. BEARING	1	
13	90501-13647-00	. SPRING, COMPRESSION	8	
14	3X3-16561-00-00	. PLATE, PRESSURE 2	1	
15	93430-03013-00	. CIRCLIP, E-TYPE	4	
16	93451-25067-00	. CIRCLIP, INNER	1	
17	517-16180-00-00	. ONE WAY BOSS COMP.	1	
18	384-15635-00-00	. PAWL, KICK	2	
19	2T4-15637-00-00	. SPRING, PAWL	1	
20	5V6-16571-00-00	. BOSS, CLUTCH	1	
21	90201-174E1-00	WASHER, PLATE	1	
22	90560-17146-00	SPACER	1	
23	90208-12015-00	WASHER, CONICAL SPR	1	
24	90179-12244-00	NUT, SPEC'L SHAPE	1	
25	90430-08069-00	GASKET	1	
26	90149-08108-00	SCREW, SPEC'L SHAPE	1	

TRANSMISSION



Ref. No.	Part Number	Description	Qty	Remarks
1	5V6-17411-00-00	AXLE, MAIN	1	
2	2A6-17121-00-00	GEAR, 2ND PINION	1	
3	4J3-17131-00-00	GEAR, 3RD PINION	1	
4	3X3-17151-00-00	GEAR, 5TH PINION	1	
5	90201-20266-00	WASHER, PLATE (1.0T)	1	
6	93410-20038-00	CIRCLIP	3	
7	(3X3-17421-00-00)	AXLE, DRIVE	1	
8	3X3-17211-00-00	GEAR, 1ST WHEEL	1	
9	(5V6-17221-00-00)	GEAR, 2ND WHEEL	1	
10	4J3-17231-00-00	GEAR, 3RD WHEEL	1	
11	4J3-17241-00-00	GEAR, 4TH WHEEL	1	
12	3X3-17251-00-00	GEAR, 5TH WHEEL	1	
13	(3X3-17285-00-00)	CLUTCH, DOG	1	
14	90201-22555-00	WASHER, PLATE	1	
15	90209-18135-00	WASHER	2	
16	93410-22039-00	CIRCLIP	4	
17	90201-15701-00	WASHER, PLATE (1.0T)	1	
18	93440-15012-00	CIRCLIP	1	
19	93311-41530-00	BEARING	1	
20	93306-30309-00	BEARING	1	
21	93306-30411-00	BEARING (B6304)	1	
22	93311-31567-00	BEARING, CYLINDRICAL	1	
23	93102-26042-00	OIL SEAL	1	
24	1W1-15381-00-00	PLATE, BRNG COVER	1	
25	98603-06012-00	SCREW, OVAL HEAD (92701-06012)	2	
26	1W1-17471-01-00	PLATE, COVER	1	
27	97013-06012-00	BOLT	2	
28	90387-207E3-00	COLLAR	1	

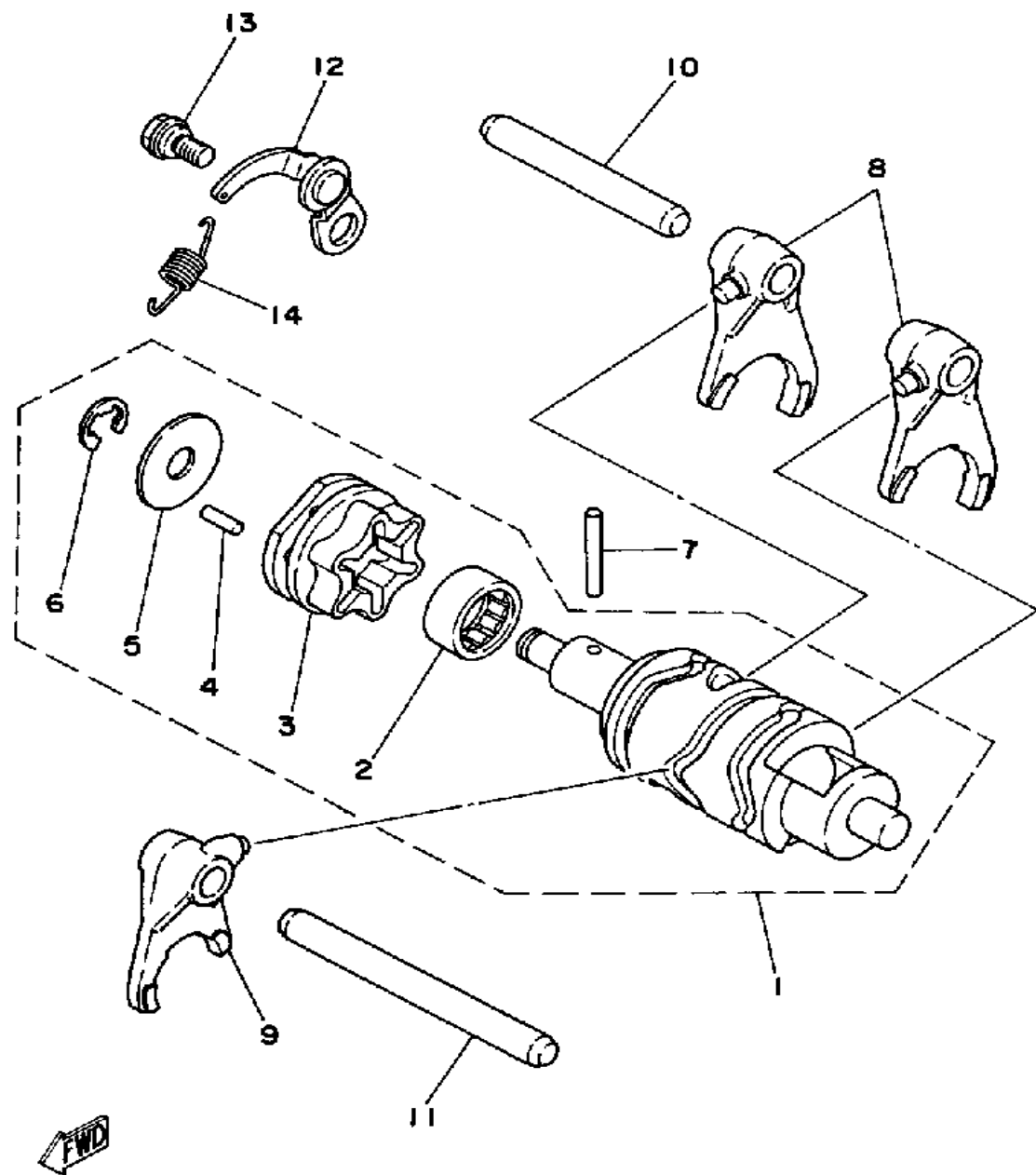
CONTINUED ON NEXT FRAME ►



TRANSMISSION

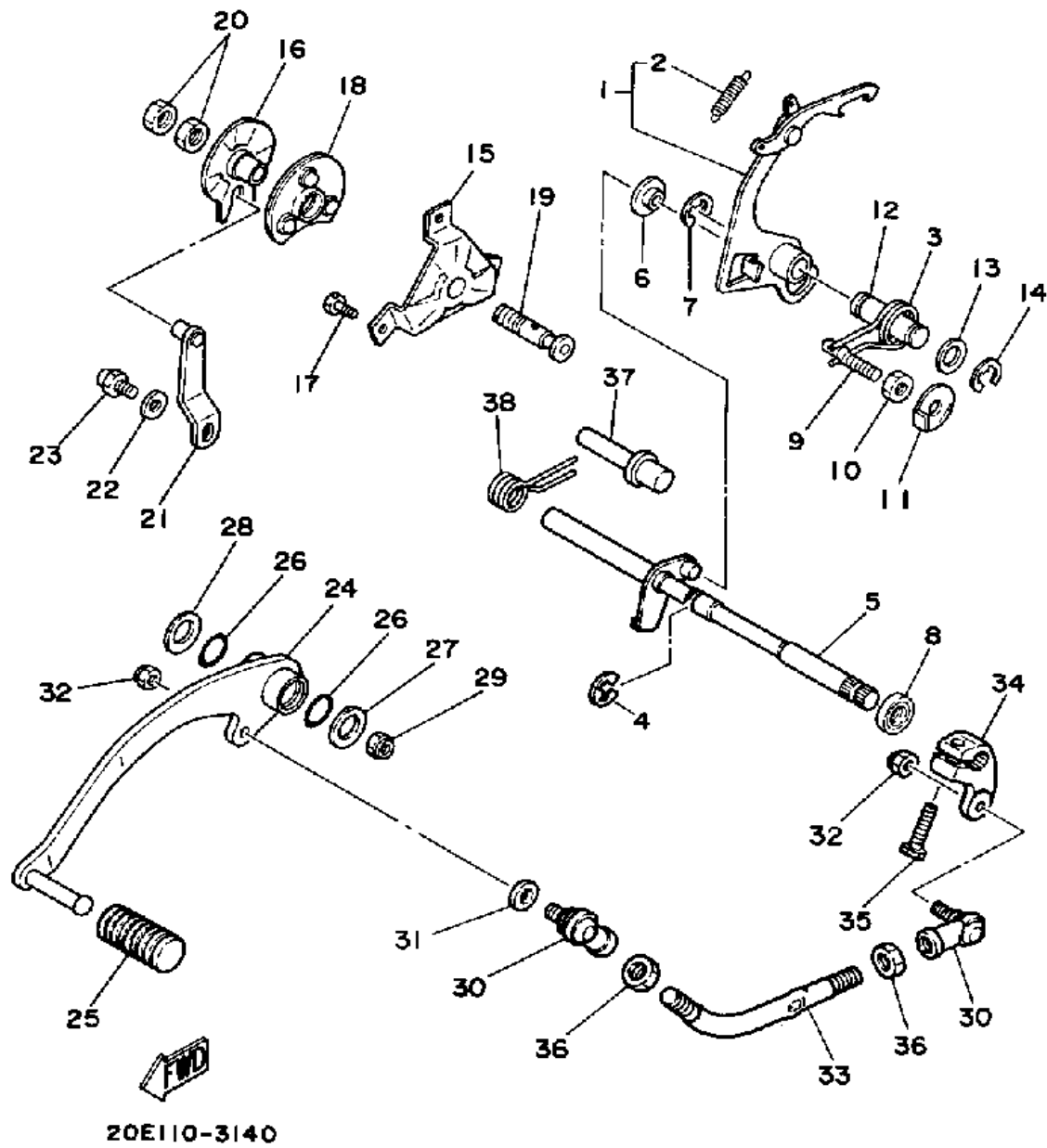
Ref. No.	Part Number	Description	Qty	Remarks
29	93832-11007-00	SPROCKET, DRIVE 11T	1	
30	90215-16127-00	WASHER, LOCK	1	
31	90179-16226-00	NUT	1	

SHIFT CAM - FORK



20E110-3130

Ref. No.	Part Number	Description	Qty	Remarks
1	(5V6-18540-00-00)	SHIFT CAM ASSEMBLY	1	
2	93315-21813-00	. BEARING	1	
3	3X3-18185-00-00	. SEGMENT	1	
4	93604-12037-00	. PIN, DOWEL	6	
5	1W1-18561-00-00	. PLATE, SIDE 1	1	
6	99001-08600-00	. CIRCLIP	1	
7	93604-30018-00	PIN, DOWEL	1	
8	2A6-18511-00-00	FORK, SHIFT 1	2	
9	2A6-18512-00-00	FORK, SHIFT 2	1	
10	2A6-18531-00-00	BAR, SHIFT FORK GUIDE 1	1	
11	2A6-18535-00-00	BAR, SHIFT FORK GUIDE 2	1	
12	1W1-18140-00-00	STOPPER LEVER ASSEMBLY	1	
13	50W-21631-00-00	BOLT 1	1	
14	90506-09156-00	SPRING, TENSION	1	

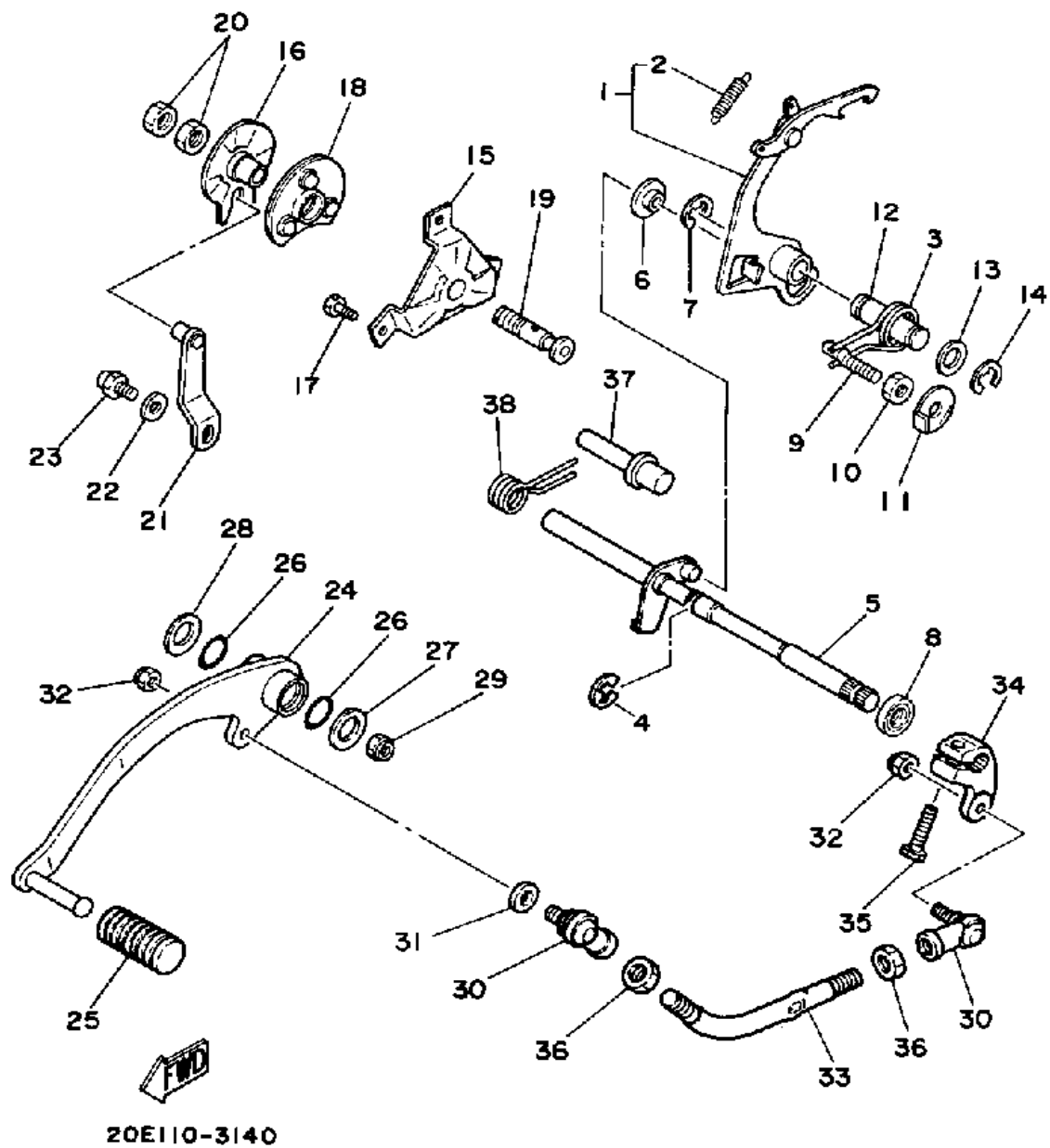


SHIFT SHAFT

Ref. No.	Part Number	Description	Qty	Remarks
1	3X3-18120-00-00	SHIFT LEVER ASSEMBLY	1	
2	90506-08155-00	. SPRING, TENSION	1	
3	90508-32559-00	SPRING, TORSION	1	
4	99006-10600-00	CIRCLIP	1	
5	5V6-18101-00-00	SHIFT SHAFT ASSEMBLY 1	1	
6	3X3-18178-00-00	ROLLER, SHIFT LEVER	1	
7	99006-10600-00	CIRCLIP	1	
8	93101-12060-00	OIL SEAL	1	
9	90149-08111-00	SCREW, SPEC'L SHAPE	1	
10	90170-08029-00	NUT	1	
11	90215-08014-00	WASHER, LOCK	1	
12	1W1-18197-01-00	SHAFT	1	
13	90201-12M34-00	WASHER, PLATE	1	
14	99006-10600-00	CIRCLIP	1	
15	3X3-18179-00-00	GUIDE	1	
16	3X3-18172-00-00	GUIDE, SHIFT	1	
17	91316-06014-00	BOLT, SOCKET HEAD	3	
18	3X3-18181-00-00	HOLDER, PAWL	1	
19	3X3-18176-00-00	BOLT, ADJUST	1	
20	95303-10700-00	NUT	2	
21	3X3-18191-01-00	LEVER	1	
22	90201-065F3-00	WASHER, PLATE	1	
23	90109-06560-00	BOLT	1	
24	4U3-18111-00-00	PEDAL, SHIFT	1	
25	132-18113-01-00	COVER, SHIFT PEDAL	1	
26	93210-15566-00	O-RING	2	
27	90201-08795-00	WASHER, PLATE	1	
28	90201-15797-00	WASHER, PLATE	1	
29	95616-08100-00	NUT, U	1	

CONTINUED ON NEXT FRAME ►

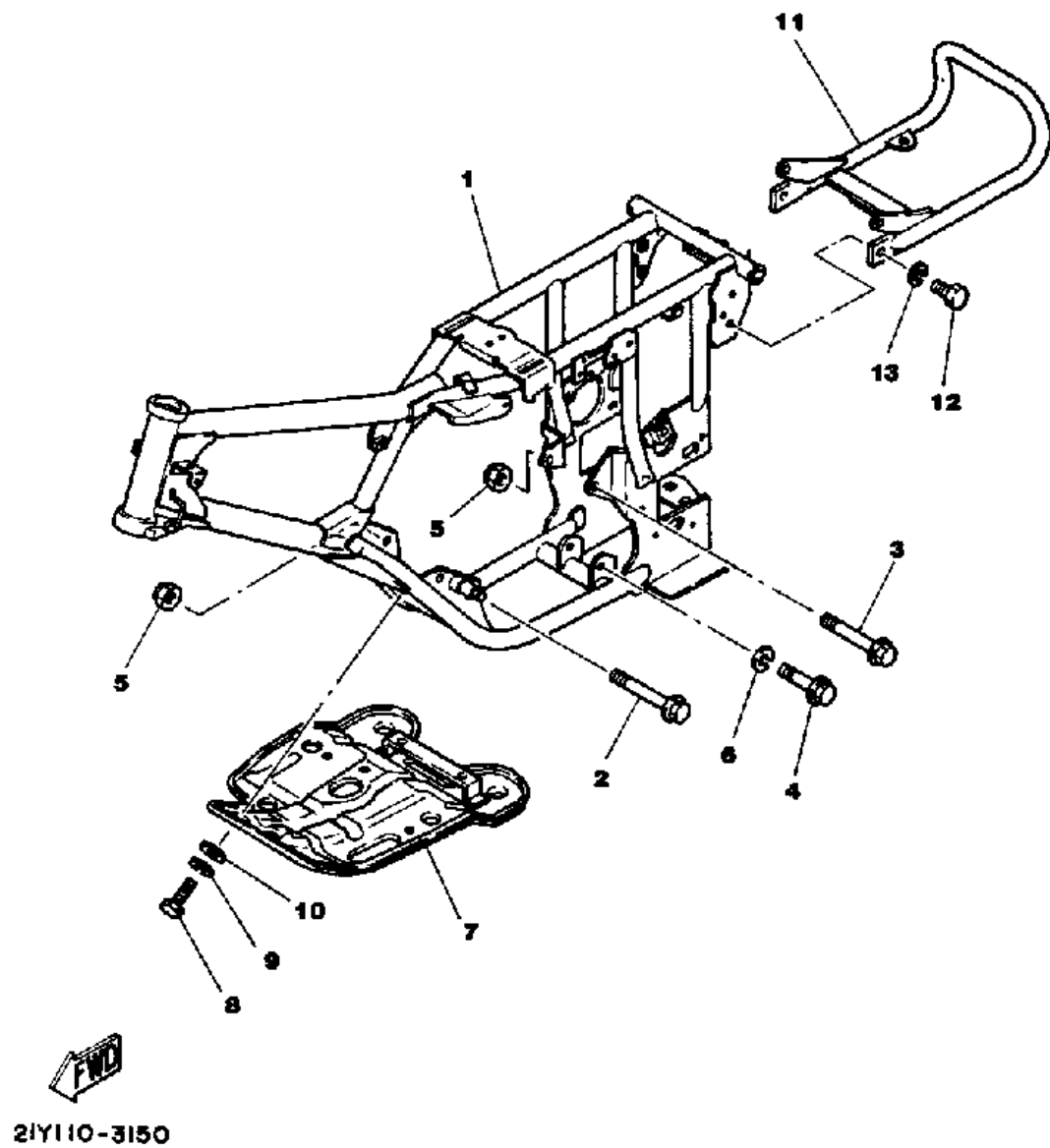
SHIFT SHAFT



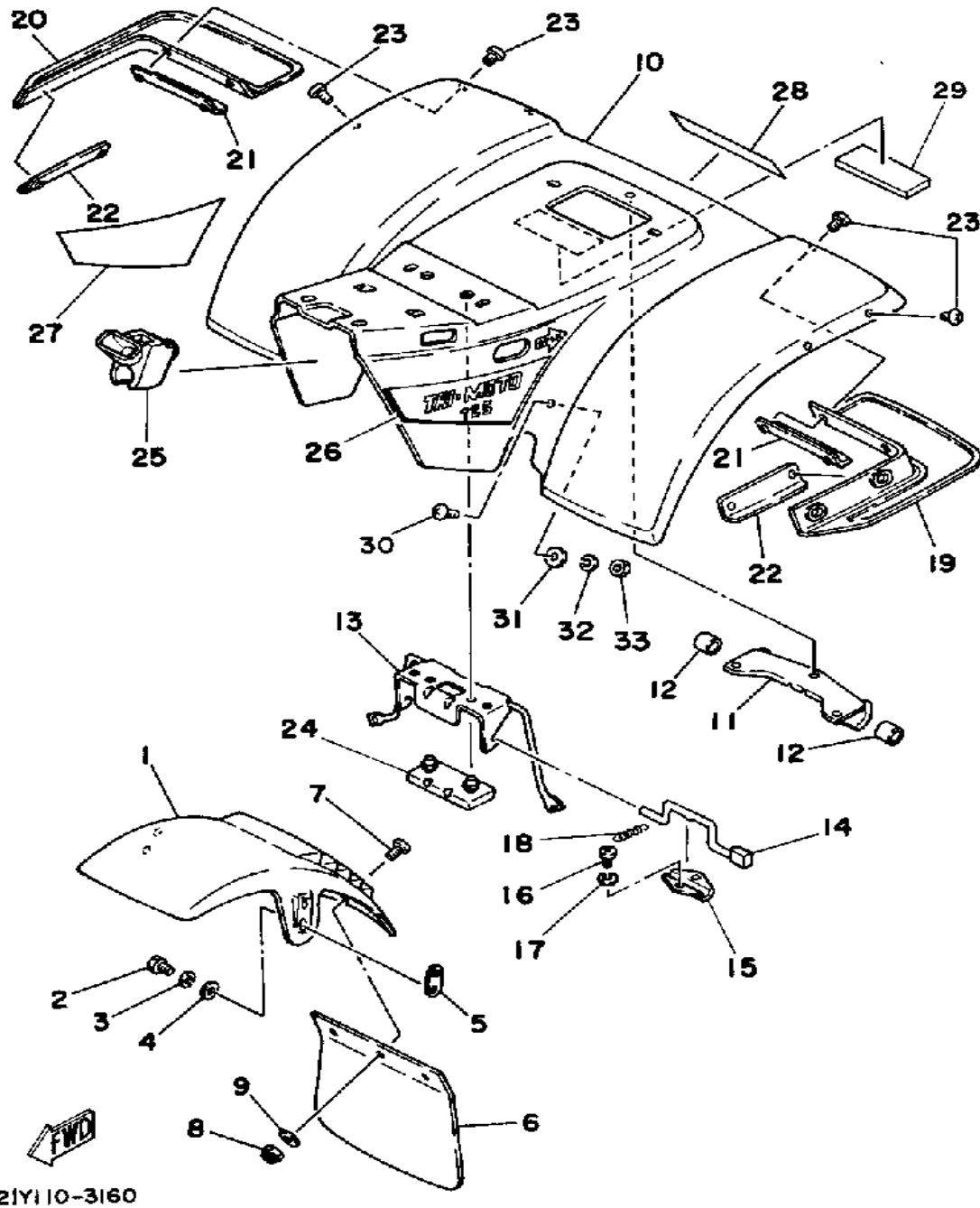
Ref. No.	Part Number	Description	Qty	Remarks
30	5V6-18156-00-00	BALL, L R	2	
31	90201-081A6-00	WASHER, PLATE	1	
32	90185-08089-00	NUT, SELF-LOCKING	2	
33	5V6-18115-00-00	ROD, SHIFT	1	
34	5V6-18116-00-00	JOINT, ROD 1	1	
35	95811-06025-00	BOLT, FLANGE	1	
36	95316-12700-00	NUT	2	
37	(5V6-15168-00-00)	PLUG, BLIND 2	1	
38	90508-29501-00	SPRING, TORSION	1	

FRAME

Ref. No.	Part Number	Description	Qty	Remarks
1	(21Y-21110-00-33)	FRAME	1	
2	90105-08024-00	BOLT, WASHER BASED	1	
3	90105-08123-00	BOLT, WASHER BASED	1	
4	90105-10037-00	BOLT, WASHER BASED	1	
5	90185-08089-00	NUT, SELF-LOCKING	2	
6	92990-10100-00	WASHER, SPRING	1	
7	(5V6-21471-00-33)	PROTECTOR, ENGINE	1	YAMAHA BLK
8	97313-06016-00	BOLT	4	
9	92995-06100-00	WASHER, SPRING	4	
10	90201-061A5-00	WASHER, PLATE	4	
11	5V6-28421-11-00	BUMPER, REAR 1	1	
12	97313-08018-00	BOLT, HEXAGON	4	
13	92990-08100-00	WASHER, SPRING	4	



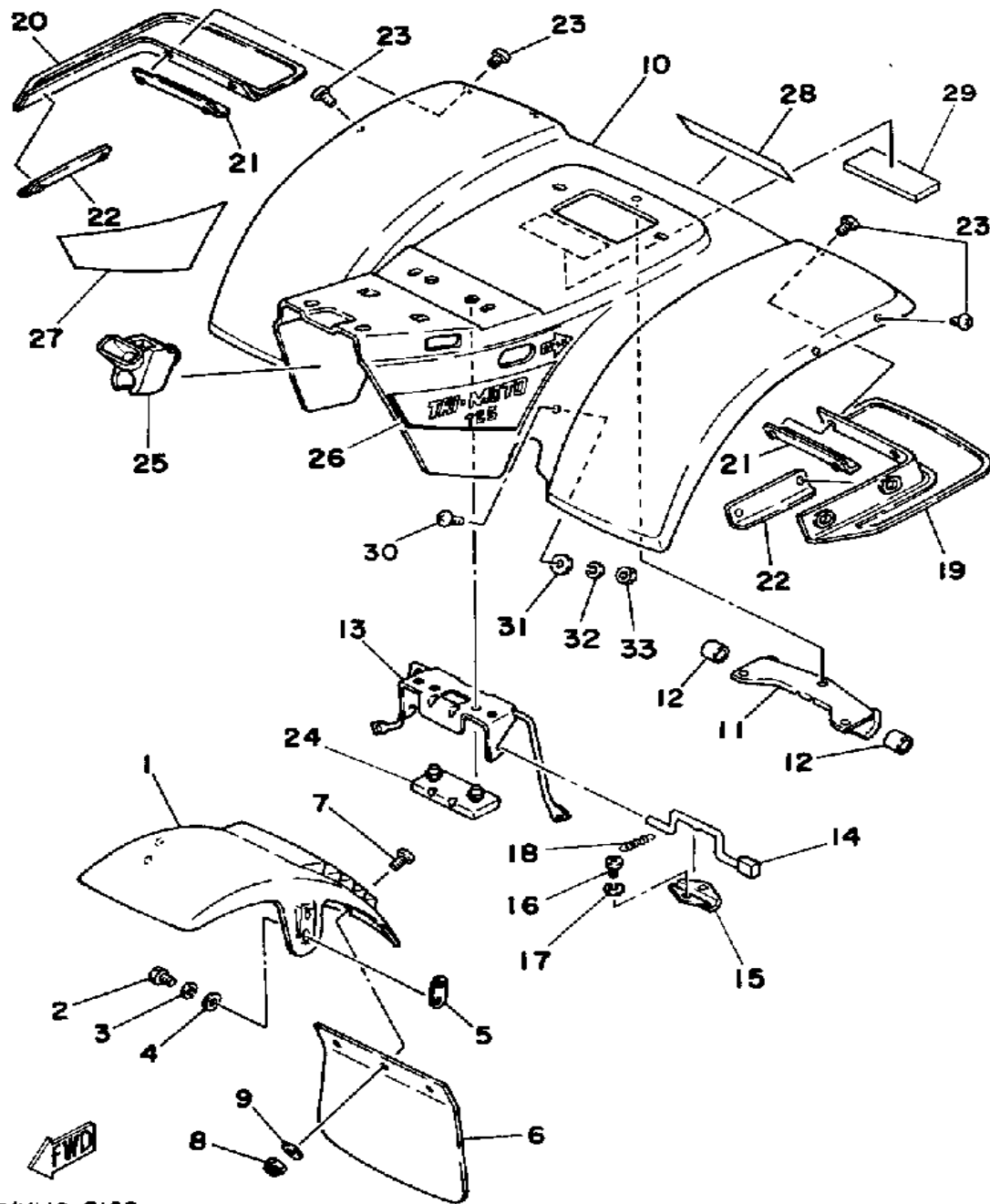
FRONT FENDER - REAR FENDER



Ref. No.	Part Number	Description	Qty	Remarks
1	3X3-21511-00-00	FENDER, FRONT	1	COMP. YELLOW
2	97313-06016-00	BOLT	4	
3	92995-06100-00	WASHER, SPRING	4	
4	90201-06643-00	WASHER, PLATE	4	
5	(3X3-21515-00-00)	WASHER, SPECIAL	2	
6	3X3-21521-00-00	FLAP, FRONT FENDER	1	
7	90154-05059-00	SCREW, BINDING	3	
8	95601-05100-00	NUT, U	3	
9	90201-05029-00	WASHER, PLATE	3	
10	3X3-21611-00-00	FENDER, REAR	1	COMP. YELLOW
11	3X3-21612-00-00	BRACKET, RR FENDER	1	
12	3X3-21638-00-00	DAMPER 1	2	
13	5V6-21665-00-00	GUIDE, MUD GUARD	1	
14	5V6-21613-00-00	STAY, FENDER 1	1	
15	5V6-21614-00-00	STAY, FENDER 2	1	
16	98580-06012-00	SCREW, PAN HEAD (92501-06012-00)	2	
17	92995-06100-00	WASHER, SPRING	2	
18	90506-12116-00	SPRING, TENSION	1	
19	3X3-21621-00-00	FLAP	1	
20	3X3-21691-00-00	FLAP	1	
21	3X3-21623-00-00	PLATE, FLAP FTNG 1	2	
22	3X3-21624-00-00	PLATE, FLAP FTNG 2	2	
23	90154-05059-00	SCREW, BINDING	8	
24	5V6-21639-00-00	DAMPER 2	1	
25	5V6-21649-00-00	DAMPER	1	
26	21Y-21782-00-00	EMBLEM 2 (125K)	1	
	21Y-21782-30-00	EMBLEM 2 (125L)	1	
27	(21Y-21783-00-00)	EMBLEM 3	1	

CONTINUED ON NEXT FRAME ►

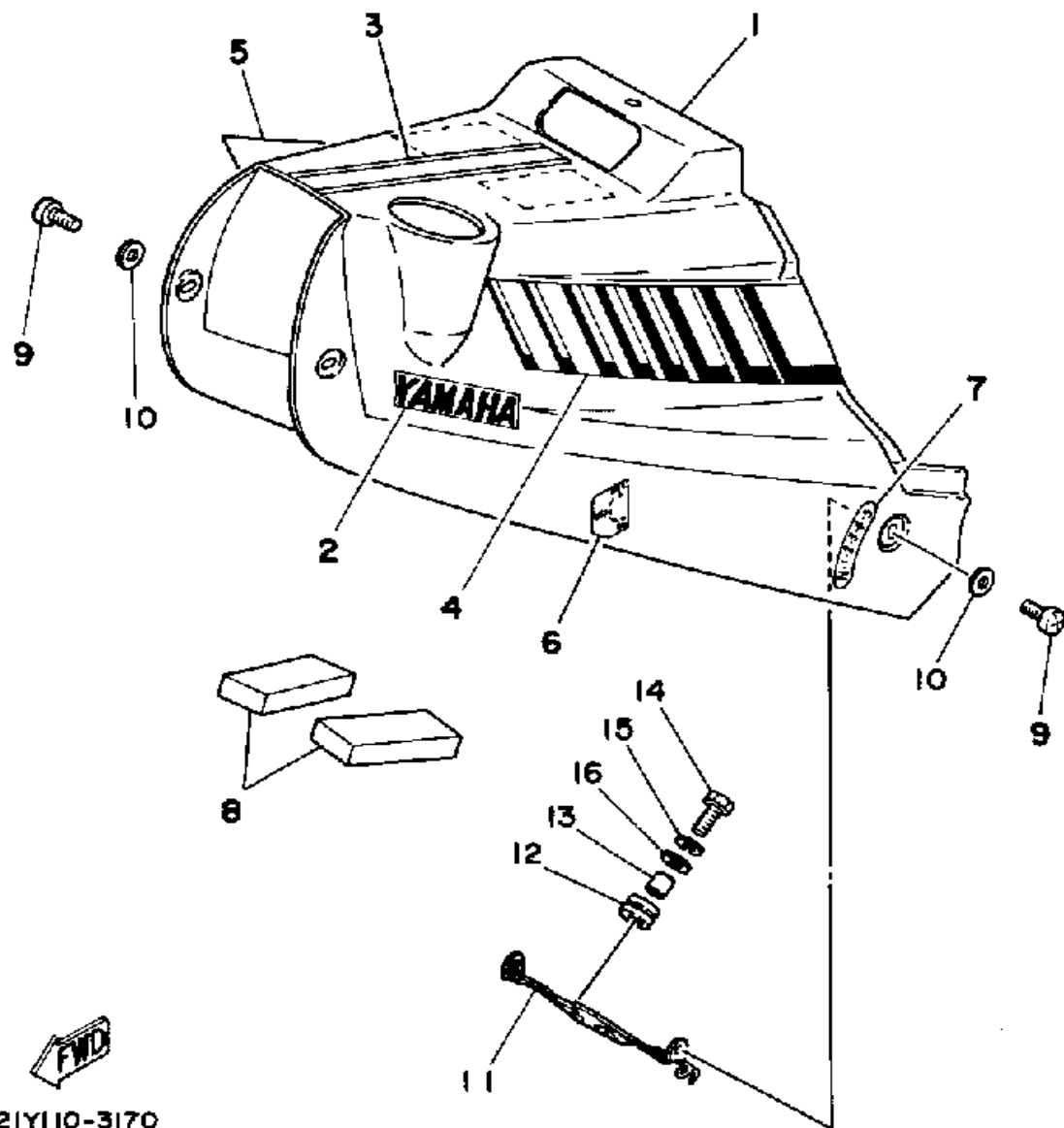
FRONT FENDER - REAR FENDER



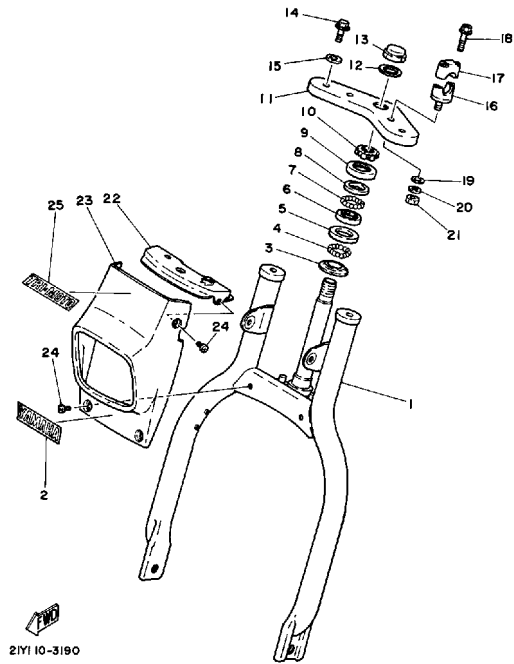
21Y110-3160

Ref. No.	Part Number	Description	Qty	Remarks
27	21Y-21783-30-00	EMBLEM 3 (125L)	1	
28	20E-21784-00-00	EMBLEM 4	1	
	21Y-21784-30-00	EMBLEM 4 (125L)	1	
29	5V6-21655-00-00	PATCH 1	1	
30	98980-06020-00	SCREW, BIND	2	
31	90201-061A5-00	WASHER, PLATE	2	
32	92995-06100-00	WASHER, SPRING	2	
33	95380-06600-00	NUT, HEXAGON	2	

SIDE COVER



Ref. No.	Part Number	Description	Qty	Remarks
1	3X3-21710-01-33	SIDE COVER ASSEMBLY 1 ...	1	YAMAHA BLK/COMP. YELLOW
2	4U3-23395-00-00	EMBLEM	2	
3	(21Y-24162-30-00)	EMBLEM 2	1	
	5V6-24162-00-00	EMBLEM 2	1	
4	(21Y-24163-00-00)	EMBLEM 3	1	
	21Y-24163-30-00	EMBLEM 3 (125L)	1	
5	21Y-24164-00-00	EMBLEM 4 (125K)	1	
	21Y-24164-30-00	EMBLEM 4 (125L)	1	
6	3X3-21788-00-00	GRAPHIC	1	
7	5V6-21789-00-00	GRAPHIC	1	
8	(3X3-21746-00-00)	DAMPER	2	
9	98906-06016-00	SCREW, BIND	4	
10	90201-06059-00	WASHER, PLATE	4	
11	5V7-2172E-00-00	STAY, SIDE COVER 1	1	
12	90480-12475-00	GROMMET	2	
13	90387-060A7-00	COLLAR	2	
14	97011-06025-00	BOLT (97001-06025)	2	
15	92995-06100-00	WASHER, SPRING	2	
16	90201-06067-00	WASHER, PLATE	2	

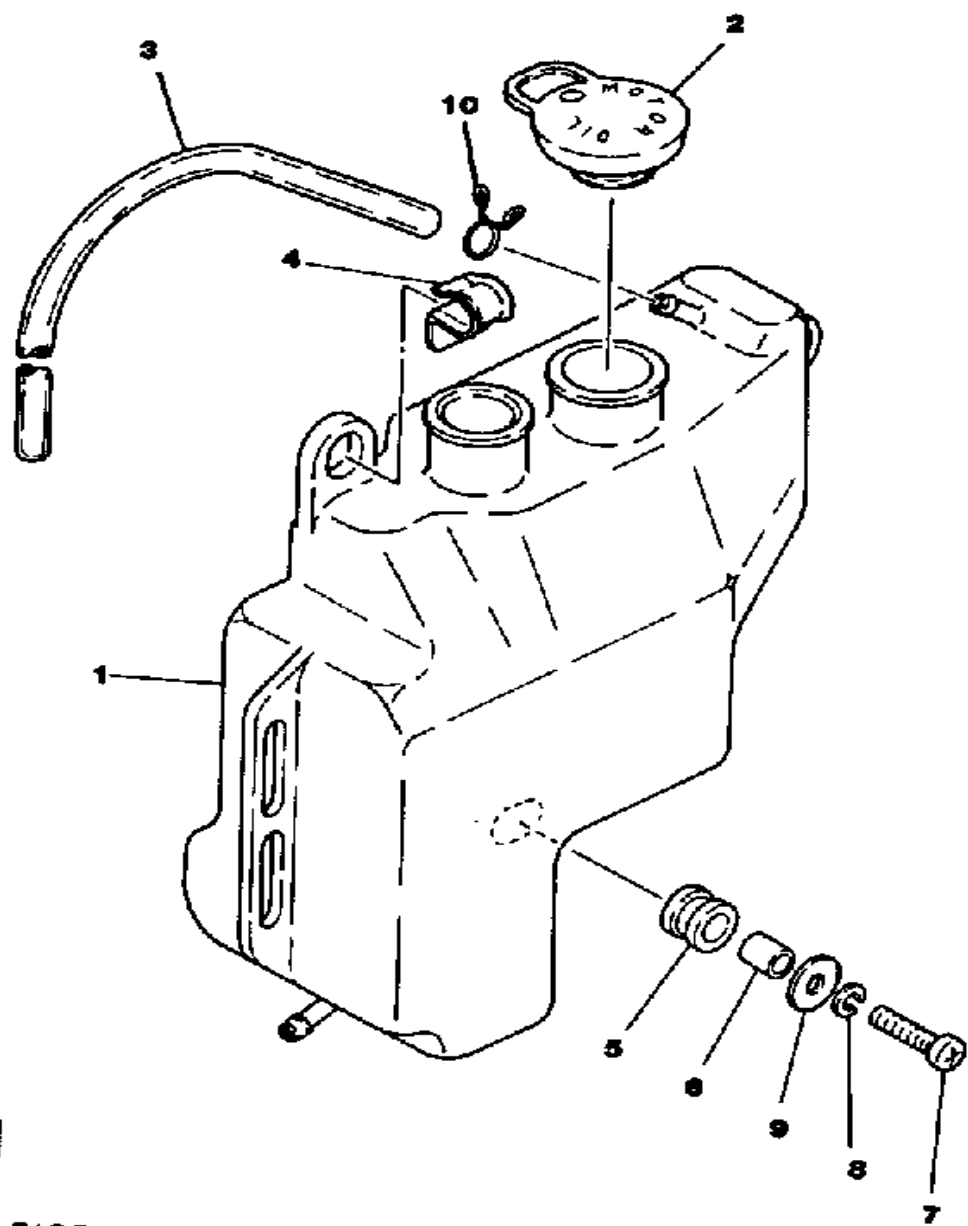


21Y110-3190

FRONT FORK

Ref. No.	Part Number	Description	Qty	Remarks
1	4U3-23101-00-26	FRONT FORK ASSEMBLY	1	COMP. YELLOW
2	4U3-23395-00-00	EMBLEM	1	
3	156-23411-00-00	RACE, BALL 1	1	
4	93501-04011-00	BALL	19	
5	156-23412-00-00	RACE, BALL 2	1	
6	22F-23412-01-00	RACE, BALL 2	1	
7	93503-16010-00	BALL 3/ 6	22	
8	22F-23411-01-00	RACE, BALL 1	1	
9	122-23416-00-00	COVER, BALL RACE 2	1	
10	90179-25033-00	NUT	1	
11	3X3-23435-00-00	CROWN, HANDLE	1	
12	90201-252A5-00	WASHER, PLATE	1	
13	3X3-23453-00-00	NUT, FITTING 1	1	
14	90105-10215-00	BOLT, WASHER BASED	2	
15	90201-10742-00	WASHER, PLATE	2	
16	462-23442-00-98	HOLDER, HANDLE LWR	2	
17	462-23441-00-00	HOLDER, HANDLE UPR (122-23441-00)	2	
18	95811-06035-00	BOLT, FLANGE	4	
19	92990-10600-00	WASHER, PLATE	2	
20	92990-10100-00	WASHER, SPRING	2	
21	95380-10600-00	NUT	2	
22	20E-23317-00-98	HOLDER, CABLE (125L)	1	
	4U3-23317-00-98	HOLDER, CABLE	1	LOW GLS BLK
23	4U3-23391-00-00	PANEL, FRONT	1	COMP. YELLOW
24	98903-06016-00	SCREW, BIND	4	
25	4U3-21785-00-00	EMBLEM 5	1	

OIL TANK

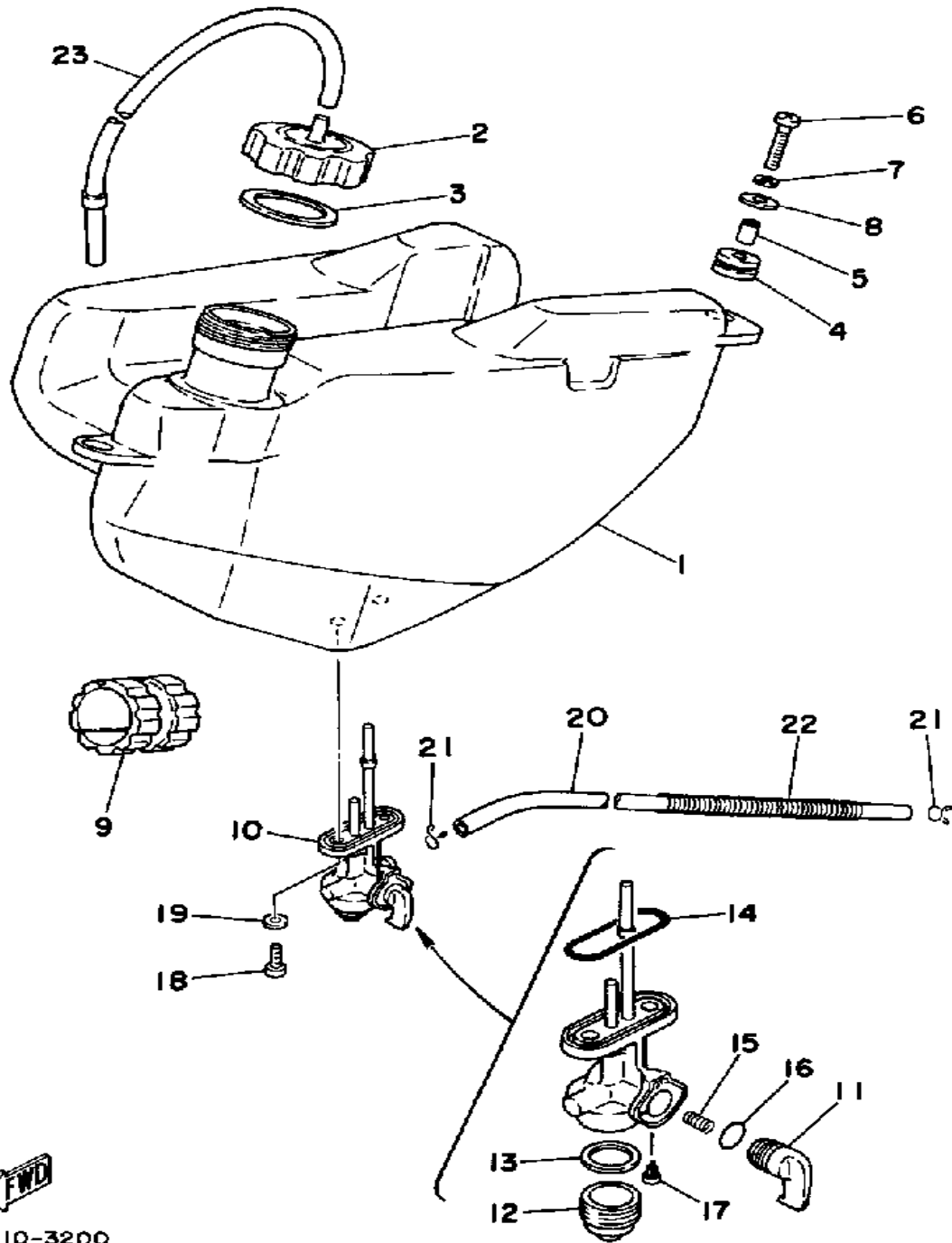


Ref. No.	Part Number	Description	Qty	Remarks
1	3X3-21751-00-00	TANK, OIL	1	
2	1T9-21771-00-00	BODY, CAP	1	
3	90445-09111-00	HOSE	1	
4	90462-06044-00	CLAMP	1	
5	90480-13238-00	GROMMET	3	
6	90387-06026-00	COLLAR	3	
7	98511-06025-00	SCREW PAN HEAD	3	
8	92995-06100-00	WASHER, SPRING	3	
9	90201-06059-00	WASHER, PLATE	3	
10	90467-08003-00	CLIP	1	

FWD
DEI 10-3180

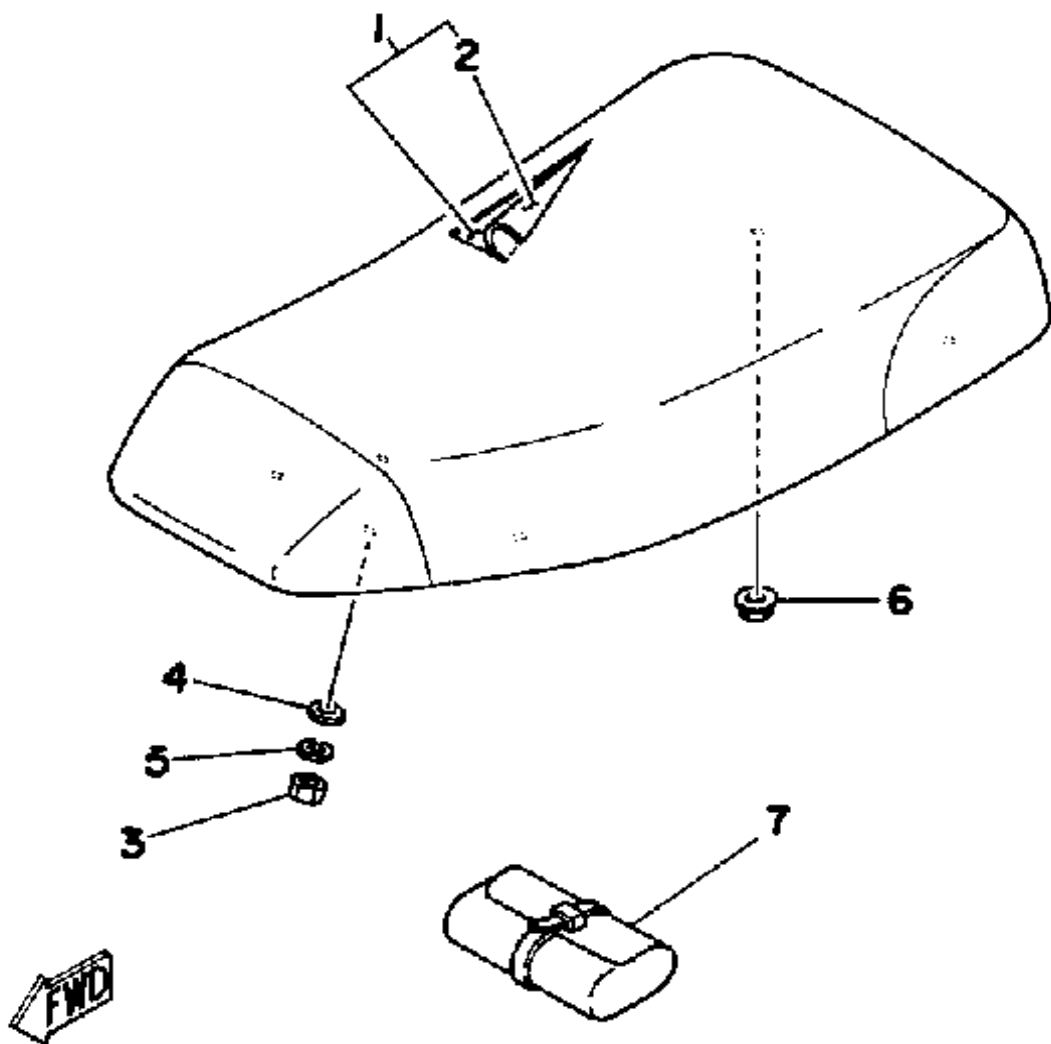
FUEL TANK

Ref. No.	Part Number	Description	Qty	Remarks
1	3X3-24110-00-00	FUEL TANK	1	
2	1W1-24611-00-00	BODY, CAP	1	
3	1W1-24612-00-00	GASKET, CAP	1	
4	90480-15064-00	GROMMET	2	
5	90387-064A5-00	COLLAR	2	
6	98580-06030-00	SCREW PAN HEAD	2	
7	92995-06100-00	WASHER, SPRING	2	
8	90201-063J2-00	WASHER, PLATE	2	
9	3X3-24181-00-00	DAMPER, LOCATING 1	1	
10	3X3-24500-00-00	FUEL COCK ASSEMBLY 1	1	
11	1A0-24524-01-00	. LEVER, COCK	1	
12	1A0-24521-01-00	. CUP, FILTER	1	
13	498-24522-00-00	. GASKET	1	
14	214-24512-00-00	. GASKET	1	
15	1A0-24512-00-00	. GASKET	1	
16	1A0-24512-00-00	. GASKET	1	
17	619-24535-00-00	. SCREW, LVR FITTING	1	
18	90149-06011-00	SCREW	2	
19	90202-05187-00	WASHER, PLATE	2	
20	90445-09271-00	HOSE	1	
21	90467-08003-00	CLIP	2	
22	90501-08430-00	SPRING, COMPRESSION	1	
23	90445-09238-00	HOSE	1	



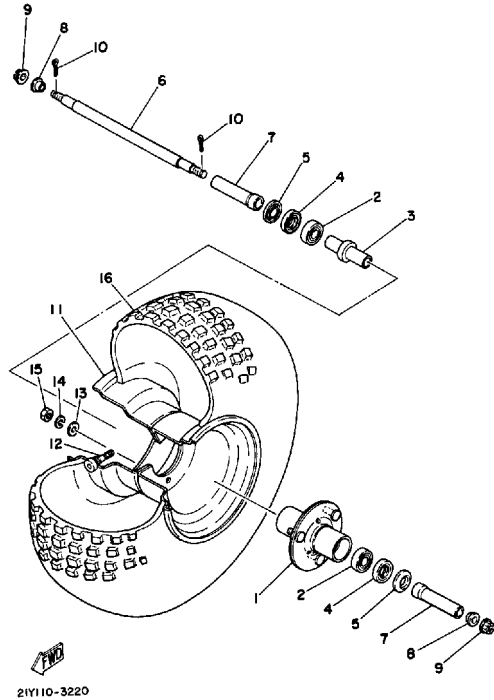
21Y110-3200

SEAT



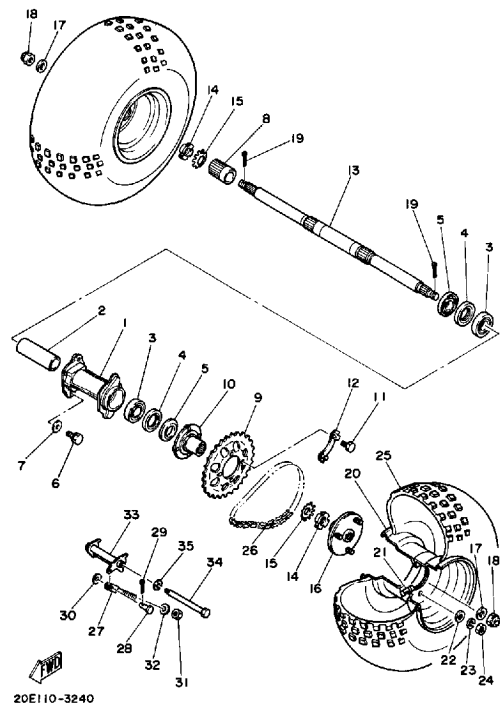
20E110-3220

Ref. No.	Part Number	Description	Qty	Remarks
1	5V6-24710-00-00	SINGLE SEAT ASSEMBLY	1	
2	5V6-24711-00-00	. COVER, SINGLE SEAT	1	
3	95380-06600-00	NUT, HEXAGON	2	
4	90201-06059-00	WASHER, PLATE	2	
5	92995-06100-00	WASHER, SPRING	2	
6	95701-06500-00	NUT, FLANGE	5	
7	5A8-W2810-00-00	TOOL KIT	1	



FRONT WHEEL

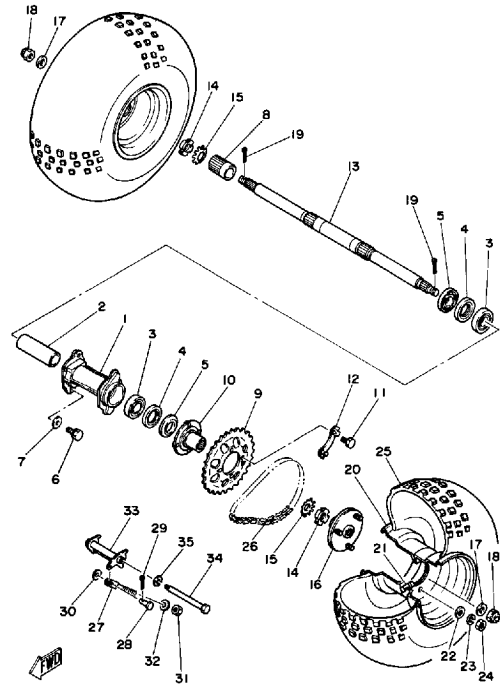
Ref. No.	Part Number	Description	Qty	Remarks
1	3X3-25111-00-00	HUB, FRONT	1	
2	93306-20310-00	BEARING (B6203DU)	2	
3	3X3-25117-00-00	SPACER, BEARING	1	
4	93102-23252-00	OIL SEAL	2	
5	5V6-25118-00-00	COVER, HUB DUST	2	
6	3X3-25181-00-00	AXLE, WHEEL	1	
7	5V6-25186-00-00	COLLAR, WHEEL	2	
8	3X3-25116-00-00	FLANGE, SPACER 2	2	
9	90171-12023-00	NUT, CASTLE	2	
10	91401-30030-00	PIN, COTTER	2	
11	29U-25180-00-35	WHEEL, FRONT	1	SILVER
12	93900-00030-00	VALVE, RIM	1	
13	92990-10200-00	WASHER, PLAIN	3	
14	92990-10100-00	WASHER, SPRING	3	
15	95380-10600-00	NUT	3	
16	94122-11572-00	22X11.00-8 KT221TL	1	



REAR WHEEL

Ref. No.	Part Number	Description	Qty	Remarks
1	5V6-25311-00-00	HUB, REAR	1	
2	90560-35309-00	SPACER	1	
3	93306-00704-00	BEARING	2	
4	93106-42026-00	OIL SEAL	2	
5	5V6-25367-00-00	COVER, HUB DUST	2	
6	90119-10065-00	BOLT, WITH WASHER	4	
7	90201-10132-00	WASHER, PLATE	4	
8	5V6-25386-00-00	COLLAR, SPRKT AXLE	1	
9	5V6-25439-20-00	SPROCKET, DRVN 39T	1	U.R.YAMAHA BLK
	5V7-25442-20-00	SPROCKET, DRVN 42T	1	U.R.YAMAHA BLK
10	5V6-25521-01-00	BOSS (5V6-25521-00)	1	
11	97011-10016-00	BOLT, HEXAGON	4	
12	5H0-25412-00-00	WASHER	2	
13	5V6-25381-00-00	AXLE, WHEEL	1	
14	90179-32365-00	NUT, SPEC'L SHAPE	2	
15	90215-33195-00	WASHER, LOCK	2	
16	5V7-25383-00-00	COLLAR, WHEEL (3X3-25383-00)	1	
17	92901-20600-00	WASHER	2	
18	95702-20300-00	NUT, FLANGE	2	
19	91401-40040-00	PIN, COTTERPIN, COTTER (91401-40030)	2	
20	29U-25180-00-35	WHEEL, FRONT	2	SILVER
21	93900-00030-00	VALVE, RIM	1	
22	92990-10200-00	WASHER, PLAIN	6	
23	92990-10100-00	WASHER, SPRING	6	
24	95311-10600-00	NUT	6	
	95380-10600-00	NUT	6	
25	94122-11572-00	22X11.00-8 KT221TL	2	

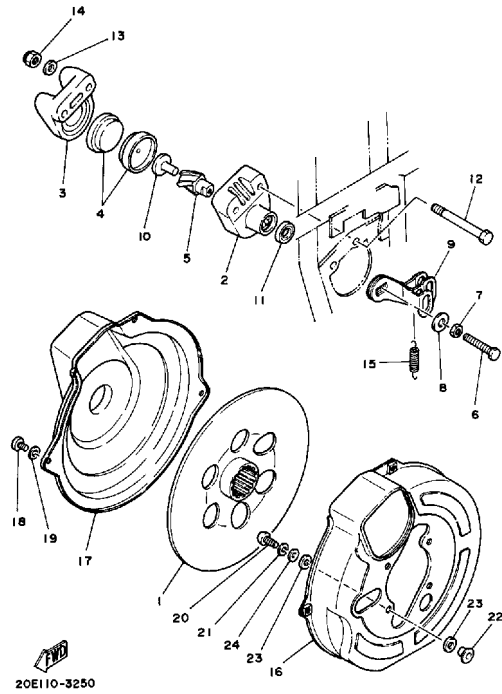
CONTINUED ON NEXT FRAME ►



REAR WHEEL

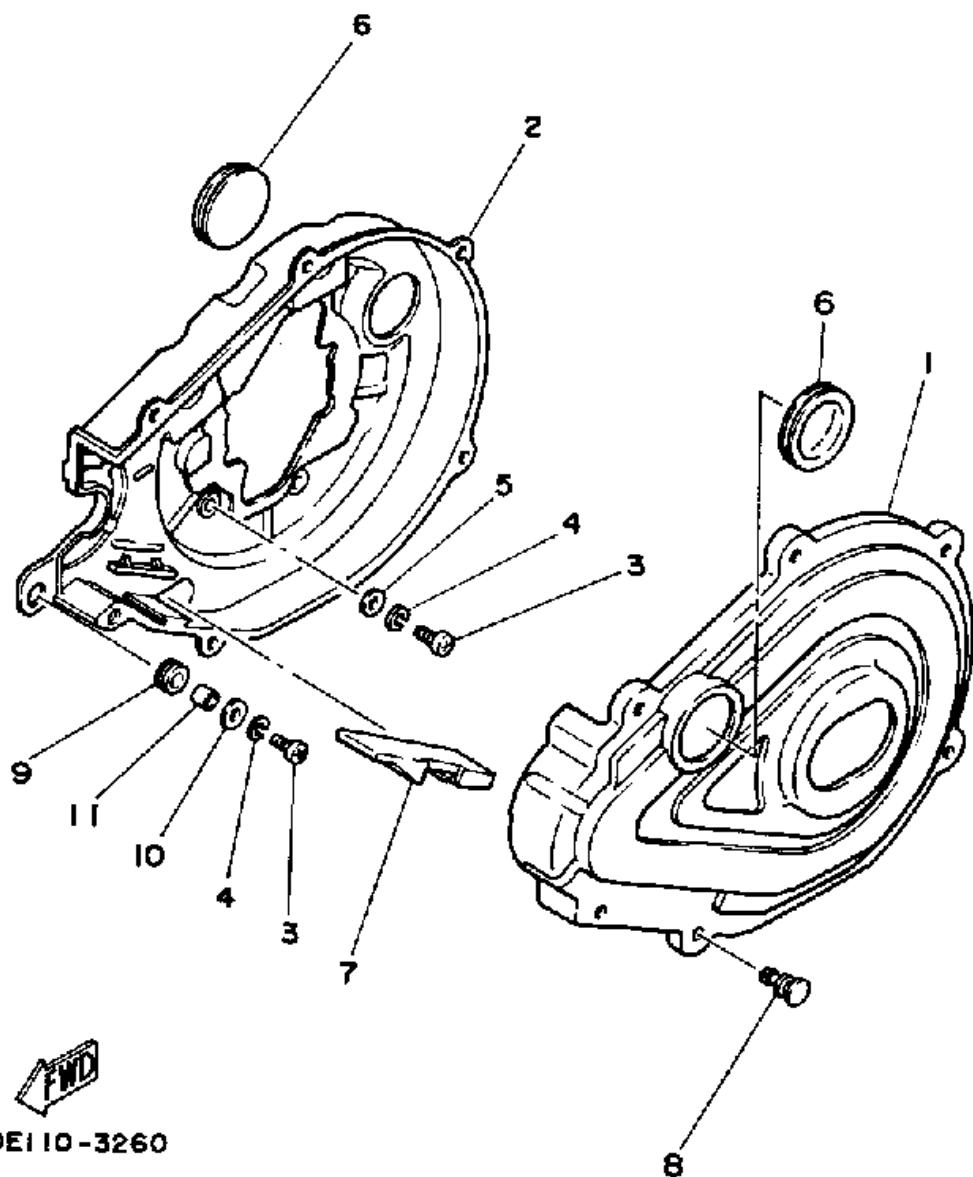
Ref. No.	Part Number	Description	Qty	Remarks
26	94580-40050-00	SEALED CHAIN YT1 5	1	U.R. 42T
	94581-18048-00	DID520V-48L SEALED	1	U.R. 39T
27	5V6-25389-00-00	PULLER, CHAIN 2	1	
28	90240-06103-00	PIN, CLEVIS	1	
29	91490-20020-00	PIN, COTTER (91401-20020-00)	1	
30	92990-06200-00	WASHER, PLAIN	1	
31	95611-08100-00	NUT, U	1	
32	92901-08600-00	WASHER, PLATE	1	
33	5V6-25388-00-00	PULLER, CHAIN 1	1	U.R. 39T
	5V7-25388-00-00	PULLER, CHAIN 1	1	U.R. 42T
34	90109-08630-00	BOLT	1	
35	92990-10100-00	WASHER, SPRING	1	

REAR BRAKE CALIPER

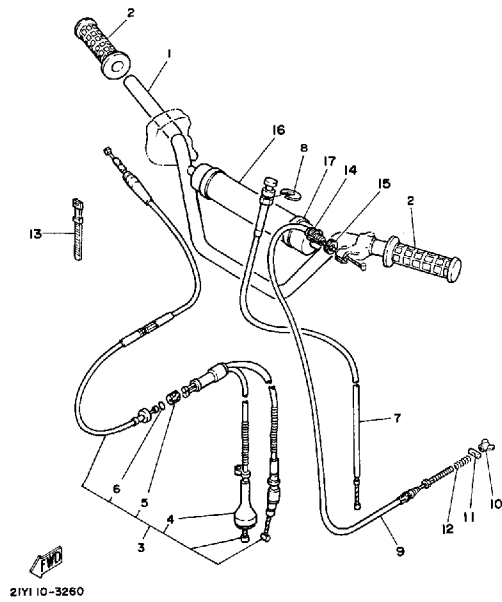


Ref. No.	Part Number	Description	Qty	Remarks
1	5V6-25711-00-00	DISC, BRAKE	1	
2	5V6-25731-00-00	BODY, CALIPER 1	1	
3	5V6-25741-00-00	BODY, CALIPER 2	1	
4	2HR-W0045-00-00	BRAKE PAD KIT, FRT	1	
5	20E-25728-00-00	CAM	1	
6	90101-08536-00	BOLT	1	
7	95333-08600-00	NUT	1	
8	90201-08730-00	WASHER, PLATE	1	
9	20E-25726-00-00	LEVER, BRAKE	1	
10	5V6-25733-00-00	PLATE, BACK UP	1	
11	93102-15212-00	OIL SEAL	1	
12	90101-10452-00	BOLT	2	
13	92990-10600-00	WASHER, PLATE	2	
14	95612-10100-00	NUT, BIND	2	
15	90506-14299-00	SPRING, TENSION	1	
16	20E-25715-00-00	COVER 1	1	
17	20E-25716-00-00	COVER 2	1	
18	98580-06010-00	SCREW, PAN HEAD	3	
19	92995-06100-00	WASHER, SPRING	3	
20	92503-06016-00	UNAVAILABLE IN PRICE BOOK (92502-06016)	4	
21	92995-06100-00	WASHER, SPRING	4	
22	(90387-074G5-00)	COLLAR	4	
23	90201-096F7-00	WASHER, PLATE	8	
24	90201-062G3-00	WASHER, PLATE	4	

CHAIN CASE



Ref. No.	Part Number	Description	Qty	Remarks
1	5V6-22311-00-00	CASE, CHAIN	1	
2	5V6-22312-00-00	CASE, CHAIN 2	1	
3	98503-06014-00	SCREW, PAN HEAD (92501-06015)	4	
4	92995-06100-00	WASHER, SPRING	4	
5	90201-06M08-00	WASHER, PLATE	3	
6	90338-44093-00	PLUG	2	
7	5V7-22147-00-00	PORTECTOR, CHAIN (5V6-22147-00)	1	U.R. 39T
	5V7-22147-00-00	PORTECTOR, CHAIN (5V6-22147-00)	1	U.R. 42T
8	90269-06026-00	RIVET, SPEC'L SHAPE	6	
9	90480-01176-00	GROMMET	1	
10	90201-06057-00	WASHER, PLATE	1	
11	90387-067K6-00	COLLAR	1	



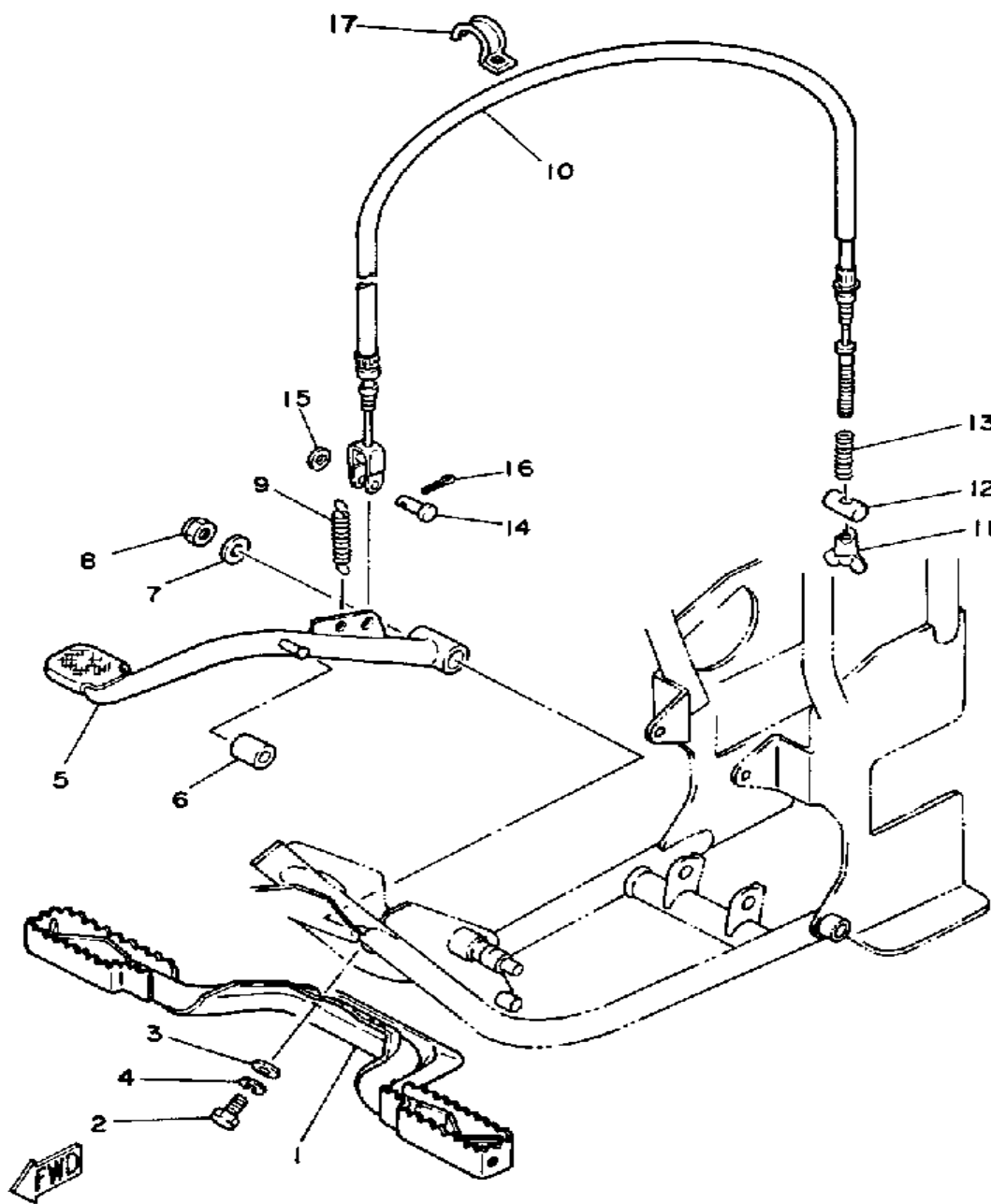
21Y1 10-3260

HANDLEBAR - CABLE

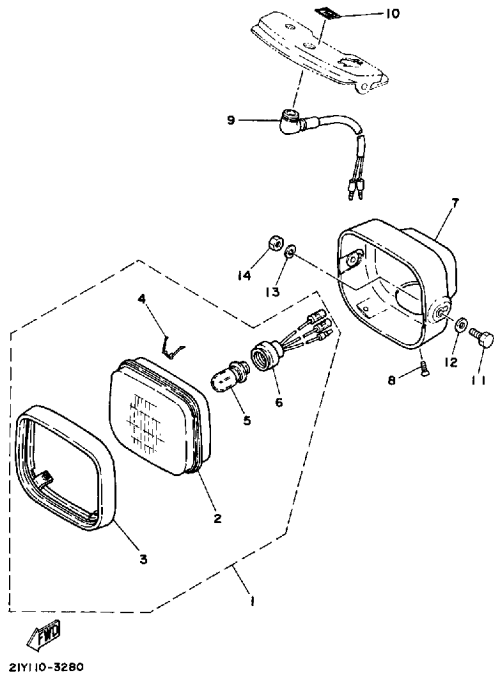
Ref. No.	Part Number	Description	Qty	Remarks
1	5V6-26111-00-00	HANDLEBAR	1	
2	3GB-26241-00-00	GRIP (LEFT)	2	
3	5V6-26260-00-00	CBLE ASSEMBLY, THRTL/PMP	1	
4	437-26329-00-00	. CAP, RUBBER	1	
5	1M1-26263-00-00	. PIECE, CONNECTING	1	
6	93210-10118-00	. O-RING	1	
7	20E-26331-00-00	CABLE, STARTER 1 (125L) ...	1	
	5V6-26331-01-00	CABLE, STARTER 1 (5V6-26331-00)	1	
8	4U3-23385-00-00	WASHER, SPECIAL 1	1	
9	20E-26341-00-00	CABLE, BRAKE	1	
10	20E-26343-00-00	NUT, ADJUSTING	1	
11	90249-12008-00	PIN	1	
12	90501-10782-00	SPRING, COMPRESSION	1	
13	437-83936-11-00	BAND, SWITCH CORD	1	
14	90123-08046-00	BOLT	1	
15	90179-08148-00	NUT	1	
16	(2X1-26124-00-00)	PROTECTOR, HDLBR	1	
17	437-83936-11-00	BAND, SWITCH CORD	2	

FOOTREST

Ref. No.	Part Number	Description	Qty	Remarks
1	5V6-27411-00-00	FOOTREST 1	1	
2	97313-08016-00	BOLT, HEXAGON	4	
3	92901-08600-00	WASHER, PLATE	4	
4	92990-08100-00	WASHER, SPRING	4	
5	3X3-27211-00-00	PEDAL, BRAKE	1	
6	3X3-27214-00-00	STOPPER	1	
7	92906-10200-00	WASHER	1	
8	95616-10100-00	NUT, U	1	
9	90506-16215-00	SPRING, TENSION	1	
10	20E-26351-00-00	CABLE, BRAKE	1	
11	20E-26343-00-00	NUT, ADJUSTING	1	
12	90249-12008-00	PIN	1	
13	90501-10782-00	SPRING, COMPRESSION	1	
14	90240-06076-00	PIN, CLEVIS	1	
15	92990-06200-00	WASHER, PLAIN	1	
16	91490-20020-00	PIN, COTTER (91401-20020-00)	1	
17	90462-06044-00	CLAMP	1	

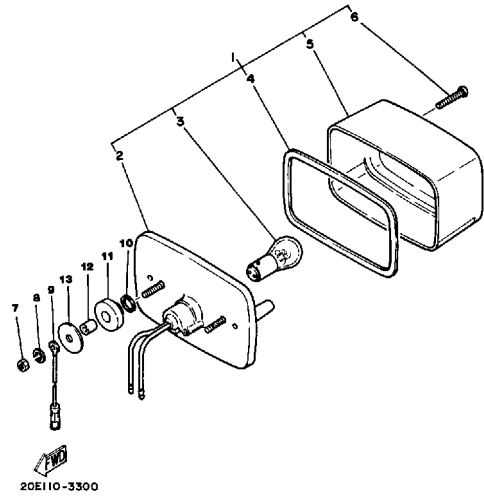


21Y110-3270



HEADLIGHT

Ref. No.	Part Number	Description	Qty	Remarks
2	3L6-84120-00-00	. LENS ASSEMBLY	1	
3	3L6-84115-00-00	. RIM, HEADLIGHT	1	
4	3L6-84124-00-00	. SPRING, SET	4	
5	527-84114-09-XX	. BULB, HL 6V25/25W	1	
6	4G2-84312-00-00	. SOCKET	1	
7	4U3-84130-00-00	BODY ASSEMBLY, HEADLIGHT (4U3-84130-00-26)	1	
8	90152-05005-00	SCREW, COUNTERSUNK	2	
9	123-83516-21-00	. BULB (12V-3.4W)	1	
	4U3-85770-00-00	OIL PILOT LT ASSEMBLY	1	
10	4U3-83585-00-00	LABEL	1	
11	97313-08020-00	BOLT, HEXAGON	2	
12	92990-08200-00	WASHER, PLAIN	2	
13	92990-08100-00	WASHER, SPRING	2	
14	95333-08600-00	NUT	2	

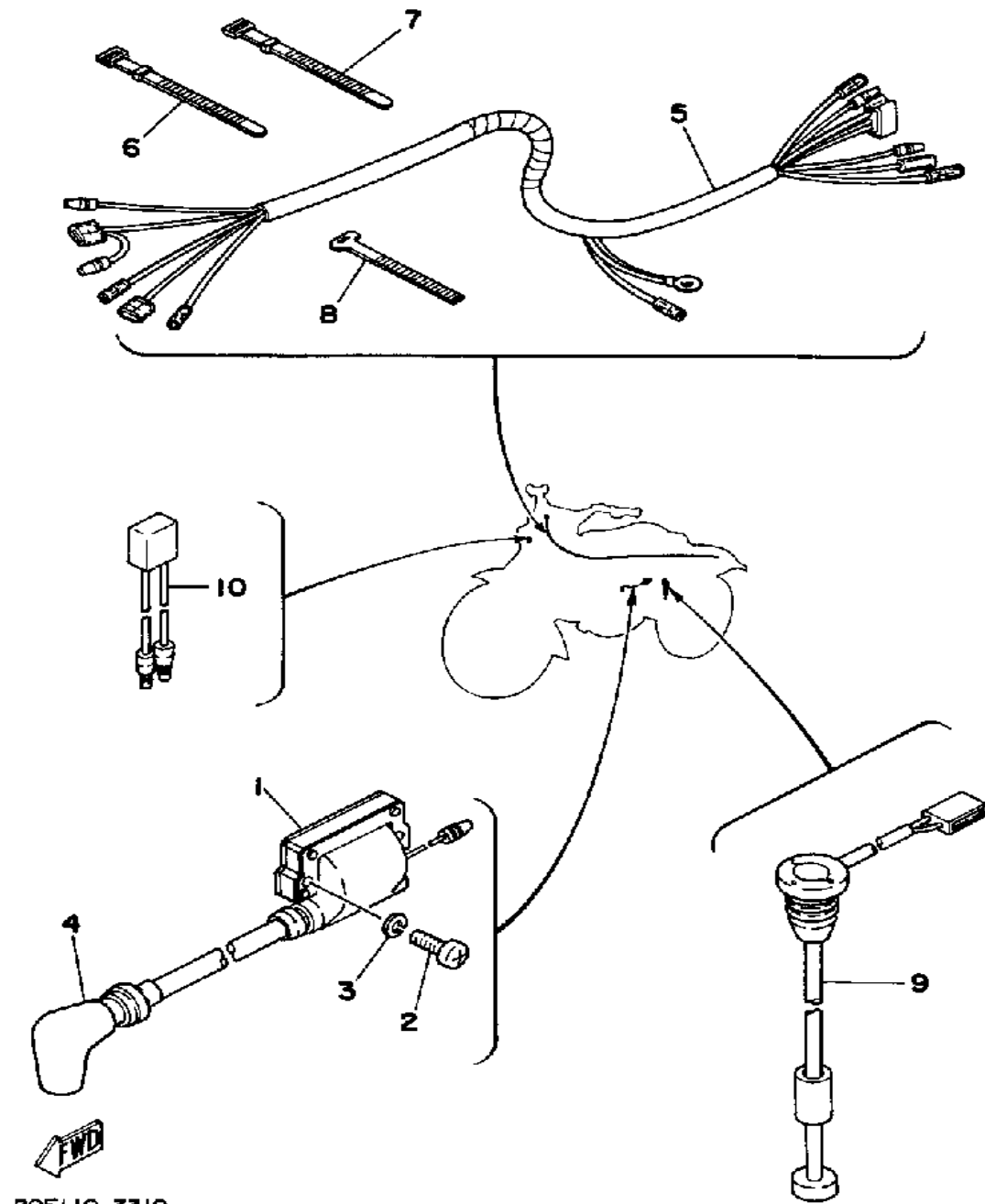


TAILLIGHT

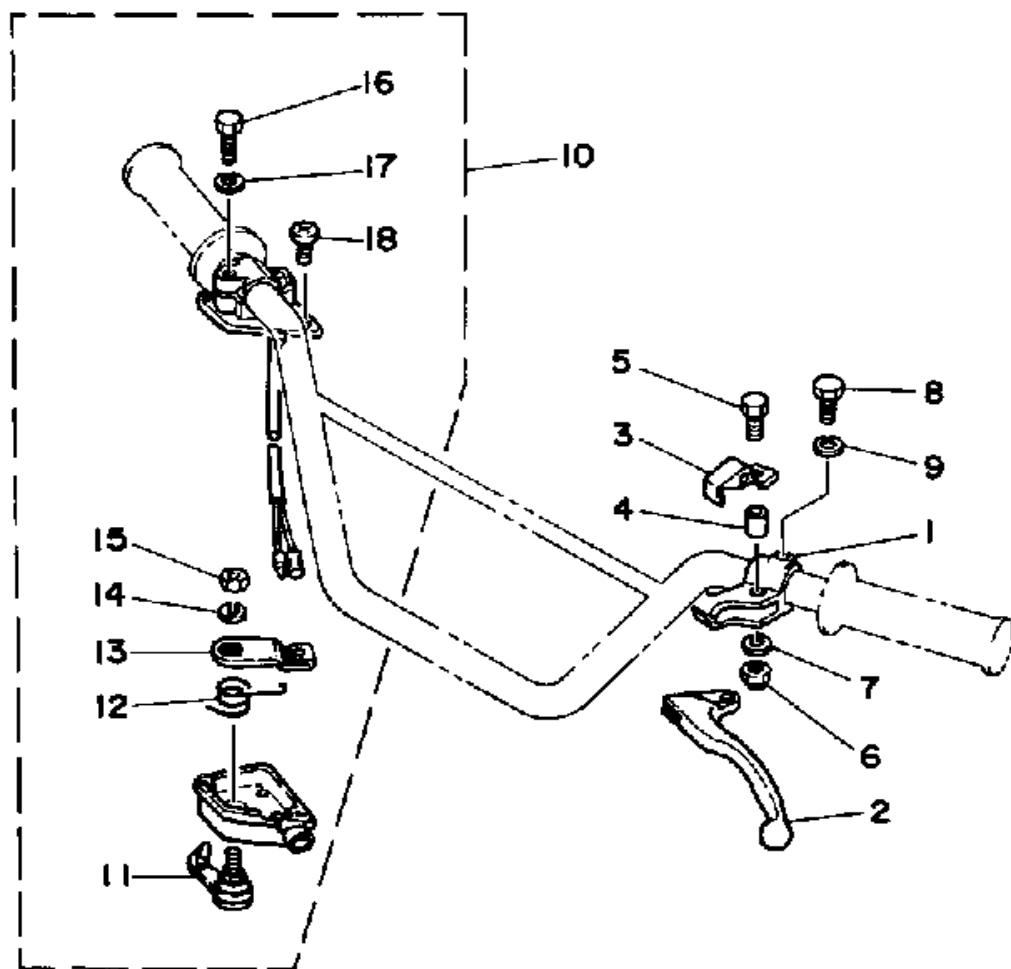
Ref. No.	Part Number	Description	Qty	Remarks
1	5V7-84510-60-00	TAILLIGHT UNIT ASSEMBLY . .	1	5V6-001920~
2	5V7-84510-60-00	. TAILLIGHT UNIT ASSEMBLY .	1	5V6-001920~
3	1M1-84514-60-00	. BULB	1	5V6-001920~
4	1K8-84523-00-00	. GASKET, LENS	1	
5	1K8-84521-00-00	. LENS, TAIL LIGHT	1	
6	97780-40130-00	. SCREW, TAPPING	2	
7	95380-06600-00	NUT, HEXAGON	2	
8	92995-06100-00	WASHER, SPRING	2	
9	87D-82318-00-00	WIRE, SUB-LEAD	1	
10	90202-14077-00	WASHER, PLATE	2	5V6-001920~
11	90480-14088-00	GROMMET	2	5V6-001920~
12	90560-07007-00	SPACER	2	5V6-001920~
13	90201-06074-00	WASHER, PLATE	2	5V6-001920~

ELECTRICAL

Ref. No.	Part Number	Description	Qty	Remarks
1	5G4-82310-40-00	IGNITION COIL ASSEMBLY ...	1	
2	98580-06020-00	SCREW, PAN HEAD	2	
3	92995-06100-00	WASHER, SPRING	2	
4	81E-82370-20-00	PLUG CAP ASSEMBLY	1	U.R.
	8E7-82370-11-00	PLUG CAP ASSEMBLY	1	U.R.W/ NOISE SUPPRESSOR
5	5V6-82590-00-00	WIRE HARNESS ASSEMBLY ..	1	
6	437-83936-01-00	BAND, SWITCH CORD	2	
7	437-83936-01-00	BAND, SWITCH CORD	1	
8	437-83936-11-00	BAND, SWITCH CORD	1	
9	3E1-85720-11-00	OIL LEVEL GAUGE ASSEMBLY	1	
10	3X3-85774-00-00	CHECKER, PILOT LAMP	1	



HANDLE SWITCH - LEVER



Ref. No.	Part Number	Description	Qty	Remarks
1	214-82911-01-00	HOLDER, LEVER 1	1	
2	23X-83912-00-00	LEVER L	1	
3	3X3-83965-00-00	LEVER, LOCK	1	
4	3X3-83913-00-00	COLLAR, LEVER 1	1	
5	97011-06025-00	BOLT (97001-06025)	1	
6	95303-06800-00	NUT (CROWN)	1	
7	92995-06100-00	WASHER, SPRING	1	
8	97003-06022-00	BOLT, HEXAGON	1	
9	92995-06100-00	WASHER, SPRING	1	
10	5V6-82720-00-00	LEVER HOLDER ASSEMBLY 2	1	
11	5V6-42138-00-00	. LEVER, THROTTLE	1	
12	5V6-42147-00-00	. SPRING	1	
13	5V6-42154-00-00	. LEVER, THROTTLE CON	1	
14	92995-06100-00	. WASHER, SPRING	1	
15	95380-06600-00	. NUT, HEXAGON	1	
16	97011-06025-00	. BOLT (97001-06025)	1	
17	92995-06100-00	. WASHER, SPRING	1	
18	98580-05012-00	. SCREW, PAN HEAD	2	



21Y110-3310