

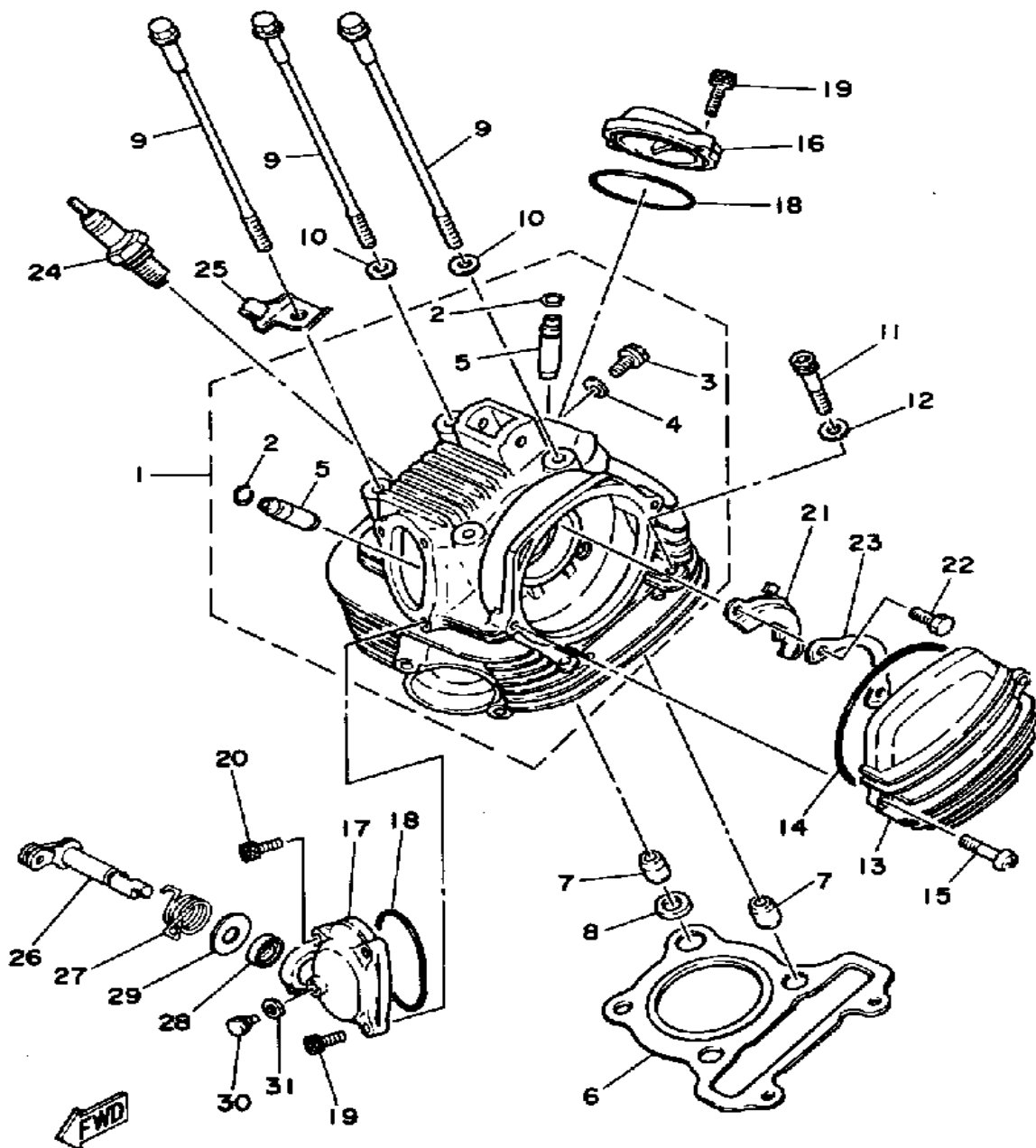
YAMAHA

GENUINE

PARTS CATALOGUE

ALL TERRAIN VEHICLE

CYLINDER HEAD

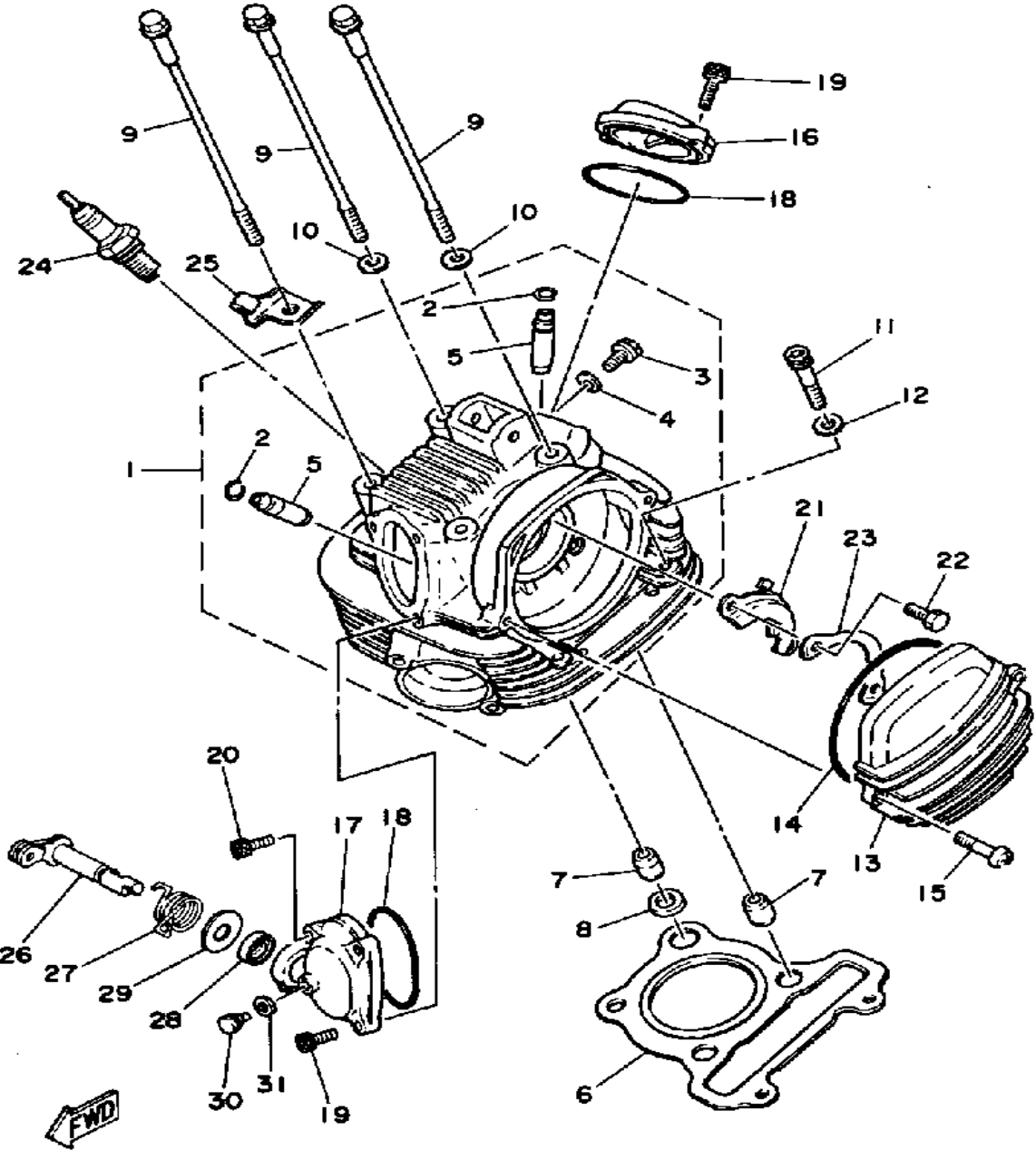


21V110-5010

Ref. No.	Part Number	Description	Qty	Remarks
1	15A-11110-01-00	CYLINDER HEAD ASSEMBLY .	1	
2	93440-10085-00	. CIRCLIP	2	
3	90153-06045-00	. SCREW, HEXAGON	1	
4	90430-06014-00	. GASKET	1	
5	5H0-11133-10-00	. GDE, INTK VLV 1 O/S	2	
6	1NU-11181-00-00	GASKET, CYLINDER HEAD 1 .	1	
7	99530-14016-00	PIN, DOWEL	3	
8	90430-14131-00	GASKET	1	
9	90105-08195-00	BOLT, WASHER BASED	4	
10	90201-080L7-00	WASHER, PLATE	3	
11	91316-08045-00	BOLT, SOCKET HEAD	2	
12	90201-087K2-00	WASHER, PLATE	2	
13	15A-11185-00-00	COVER, CYLINDER HEAD SIDE 1	1	
14	93211-05471-00	O-RING	1	
15	98516-06020-00	SCREW, PAN HEAD	2	
16	15A-11186-00-00	COVER, CYLINDER HEAD SIDE 2	1	
17	21V-11187-01-00	COVER, CYLINDER HEAD 3SIDE 3	1	
18	93210-57634-00	O-RING	2	
19	91316-06018-00	BOLT, SOCKET HEAD	4	
20	90109-06717-00	BOLT	1	
21	5H0-1111F-00-00	PLATE	1	
22	97013-06012-00	BOLT	2	
23	90215-06184-00	WASHER, LOCK	1	
24	NGK-D7EA0-00-00	PLUG, SPARK (NGK D7EA) ...	1	U.R.
25	36X-12283-00-00	BRACKET, DECOMP.	1	
26	36X-12288-00-00	CAM, DCOMP	1	
27	90508-16428-00	SPRING, TORSION	1	

CONTINUED ON NEXT FRAME ►

CYLINDER HEAD

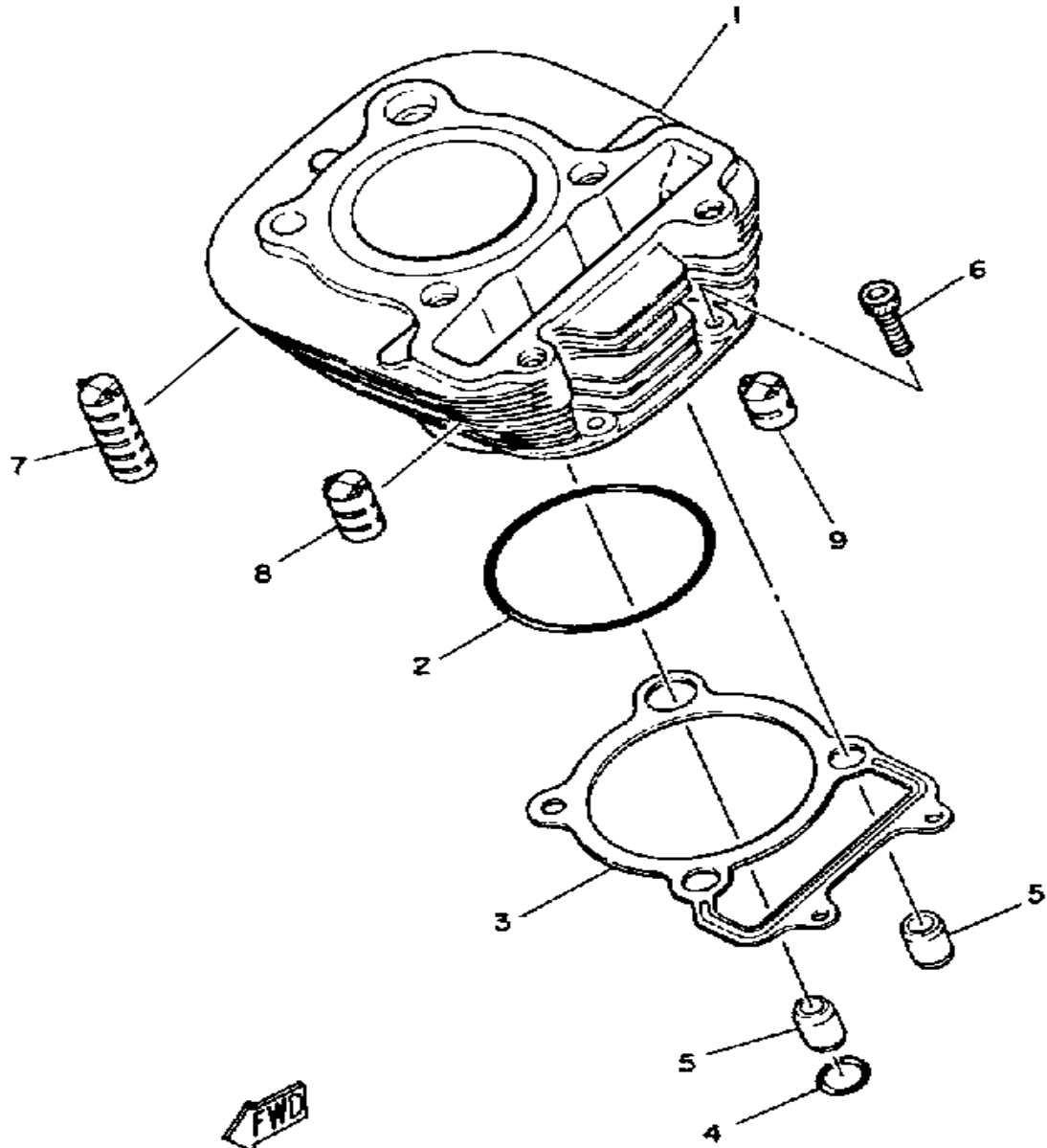


Ref. No.	Part Number	Description	Qty	Remarks
28	93102-12321-00	OIL SEAL, SD-TYPE	1	
29	90201-12588-00	WASHER, PLATE	1	
30	90109-06418-00	BOLT	1	
31	90430-06014-00	GASKET	1	

21V110-5010

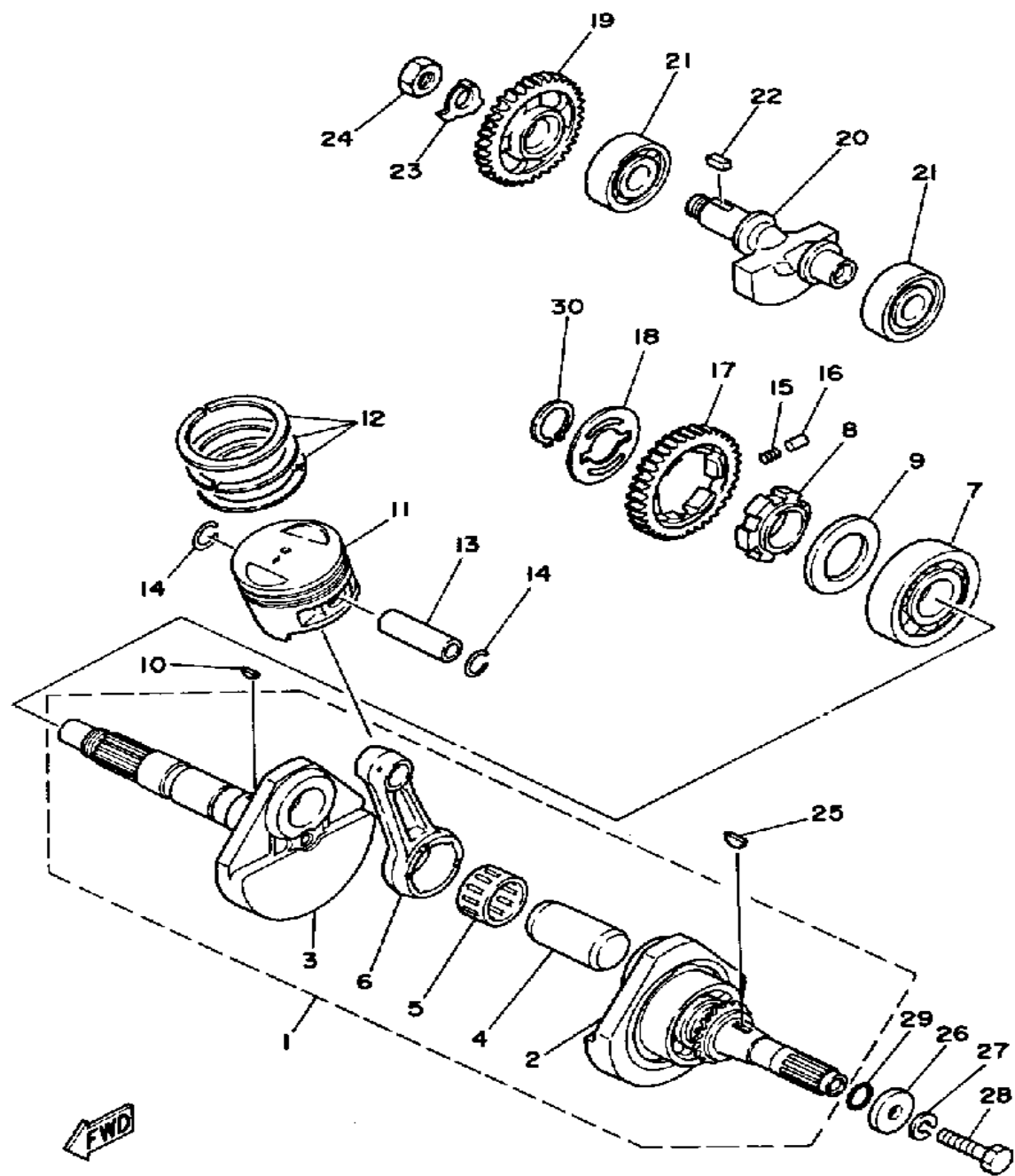
CYLINDER

Ref. No.	Part Number	Description	Qty	Remarks
1	21V-11310-00-00	CYLINDER	1	
2	93210-71470-00	O-RING (93210-72529-00)	1	
3	4CS-11351-00-00	GASKET CYLINDER	1	
4	93210-13361-00	O-RING	1	
5	99530-14016-00	PIN, DOWEL	2	
6	91316-06025-00	BOLT	2	
7	15A-11162-00-00	ABSORBER 2	2	
8	5H0-11161-00-00	ABSORBER 1	2	
9	15A-11162-00-00	ABSORBER 2	1	



21V110-3020

CRANKSHAFT-PISTON

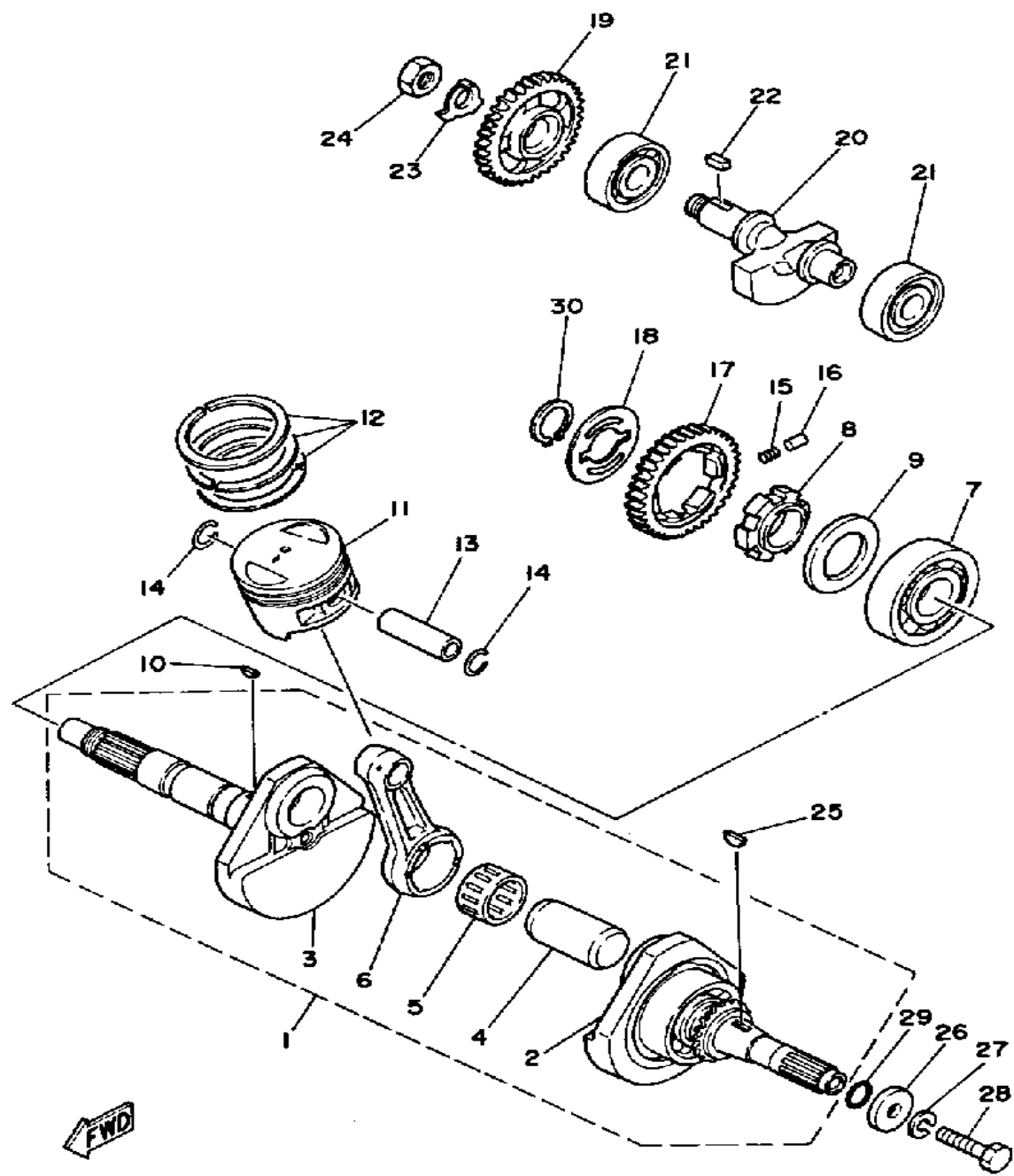


21V110-3030

Ref. No.	Part Number	Description	Qty	Remarks
1	99999-01951-00	CRANKSHAFT ASSEMBLY (21V-11412-00)	1	
2	99999-01951-00	. CRANKSHAFT ASSEMBLY (21V-11412-00)	1	
3	21V-11422-00-00	. CRANK 2	1	
4	5H0-11681-00-00	. PIN, CRANK 1	1	
5	93310-530J3-00	. BEARING	1	
6	15A-11651-00-00	. ROD, CONNECTING	1	
7	93306-30615-00	BEARING (B6306)	1	
8	59V-11496-00-00	BOSS, BUFFER (21V-11496-00)	1	
9	90201-406F4-00	WASHER, PLATE	1	
10	90280-03017-00	KEY, WOODRUFF	1	
11	21V-11631-00-Y0	PISTON STD	1	
	21V-11636-00-00	PISTON 2 O/S 0.0	1	ALTERNATE PART
	21V-11638-00-00	PISTON 4 O/S 1.0	1	ALTERNATE PART
12	21V-11610-01-00	PISTON RINGSET STD	1	
	21V-11610-20-00	PISTON RINGSET 2ND (2ND O/S)	1	ALTERNATE PART
	21V-11610-40-00	PISTON RINGSET 4TH (4TH O/S)	1	ALTERNATE PART
13	58L-11633-00-00	PIN, PISTON	1	
14	93450-17044-00	CIRCLIP	2	
15	90501-21133-00	SPRING, COMPRESSION	6	
16	93605-10090-00	PIN, DOWEL	3	
17	5H0-11536-00-00	GEAR, DRIVE (38T)	1	
18	90201-266F5-00	WASHER, PLATE	1	
19	5H0-11531-00-00	GEAR, BALANCE WEIGHT (38T)	1	
20	15A-11454-00-00	WEIGHT 1	1	
21	93306-30427-00	BEARING	2	

CONTINUED ON NEXT FRAME ►

CRANKSHAFT-PISTON

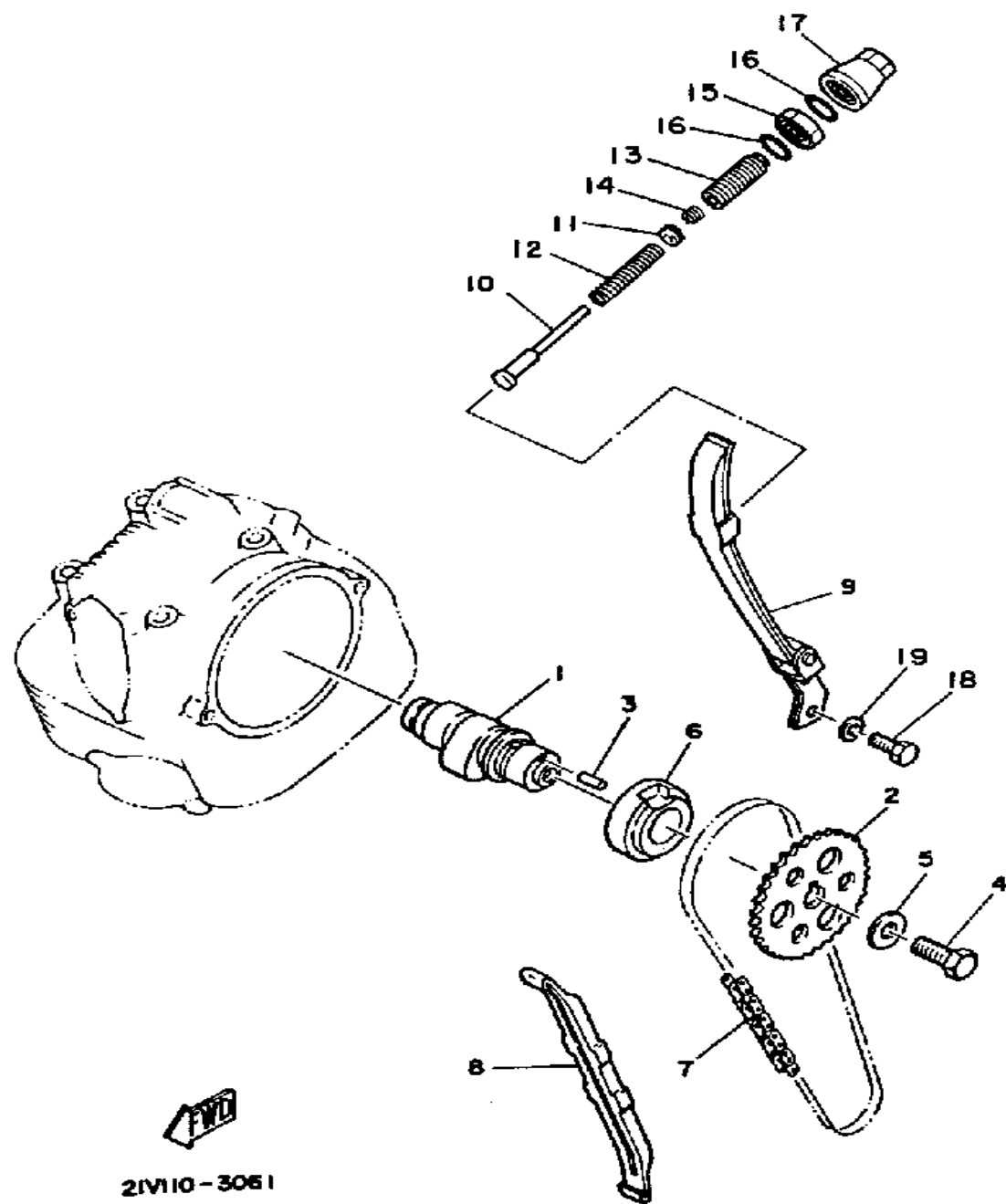


Ref. No.	Part Number	Description	Qty	Remarks
22	90282-05013-00	KEY, STRAIGHT	1	
23	90215-14205-00	WASHER, LOCK	1	
24	90170-14284-00	NUT	1	
25	90280-16053-00	KEY, WOODRUFF (90280-05048-00)	1	
26	90201-107F8-00	WASHER, PLATE	1	
27	92990-10100-00	WASHER, SPRING	1	
28	90101-10568-00	BOLT	1	
29	93210-16290-00	O-RING	1	
30	99009-26400-00	CIRCLIP	1	



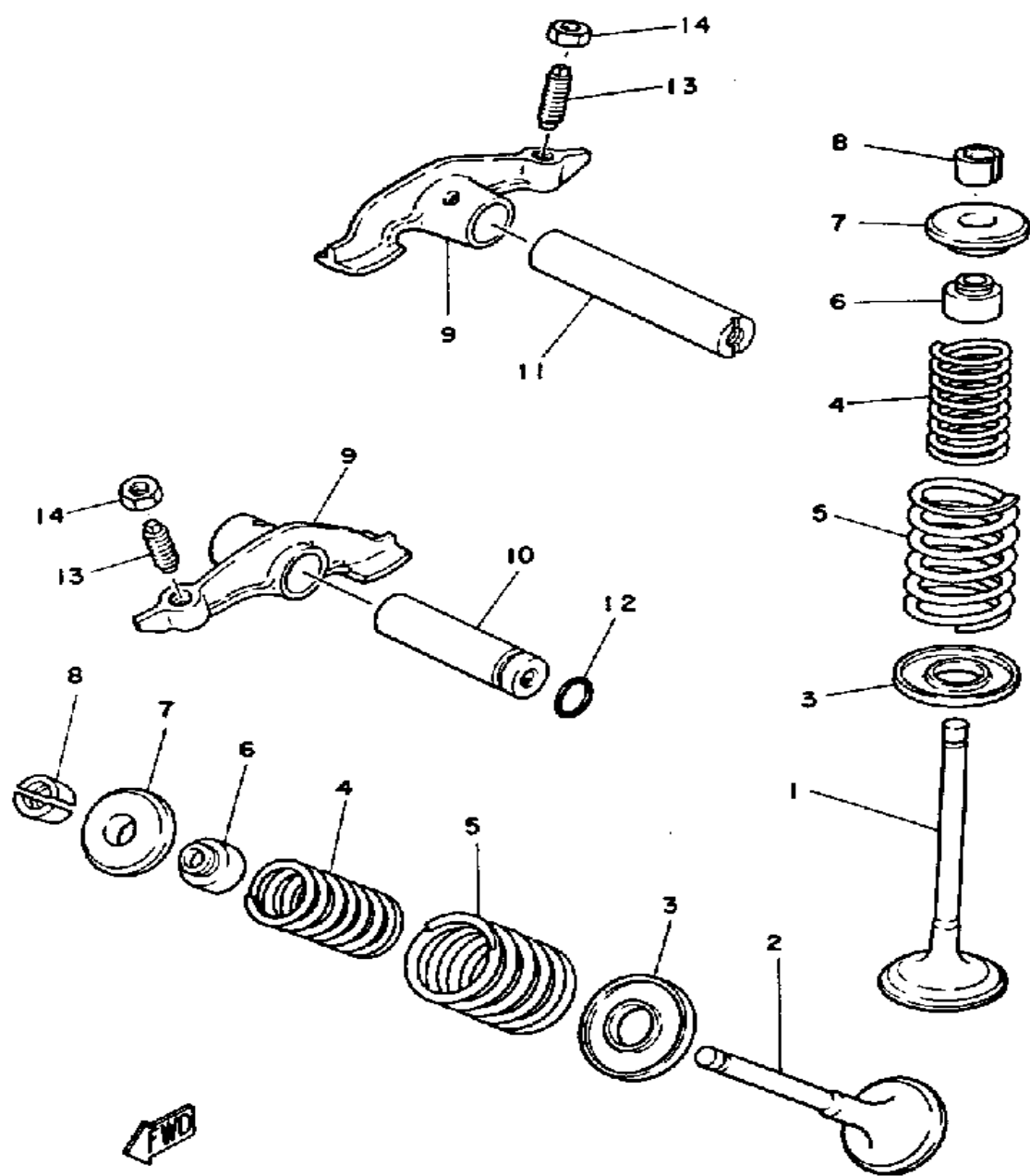
21V110-3030

CAMSHAFT-CHAIN



Ref. No.	Part Number	Description	Qty	Remarks
1	5N0-12171-01-00	CAMSHAFT 1	1	
2	5H0-12176-00-00	SPROCKET, CAM CHAIN (40T)	1	
3	93604-10011-00	PIN, DOWEL	1	
4	90101-10303-00	BOLT	1	
5	90201-10774-00	WASHER, PLATE	1	
6	90387-255F3-00	COLLAR	1	
7	94580-41104-00	CHAIN	1	
8	5H0-12231-00-00	GUIDE, STOPPER 1	1	
9	5N0-12241-00-00	GUIDE, STOPPER 2	1	
10	25A-12217-00-00	ROD, CHAIN TENSIONER	1	
11	3Y1-12232-00-00	DAMPER	1	
12	90501-10587-00	SPRING, COMPRESSION	1	
13	90149-14182-00	SCREW	1	
14	90501-22721-00	SPRING, COMPRESSION	1	
15	90179-14298-00	NUT	1	
16	93210-16629-00	O-RING	2	
17	3Y1-12212-00-00	CASE, CHAIN TENSIONER	1	
18	97011-06016-00	BOLT	2	
19	92901-06600-00	WASHER	2	

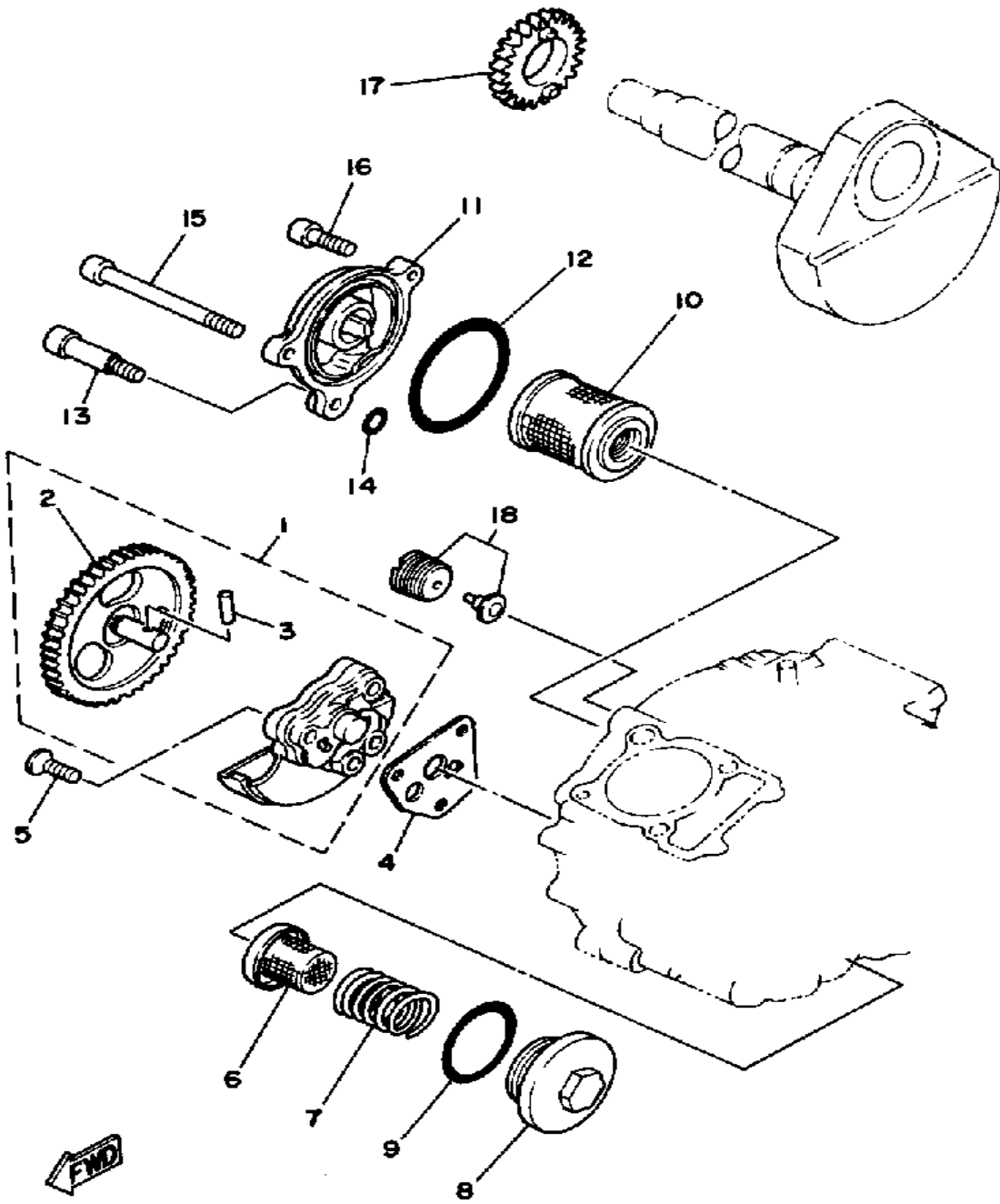
VALVE



Ref. No.	Part Number	Description	Qty	Remarks
1	5H0-12111-00-00	VALVE, INTAKE	1	
2	5H0-12121-00-00	VALVE, EXHAUST	1	
3	4G0-12116-01-00	SEAT, VALVE SPRING	2	
4	4G0-12113-01-00	SPRING, VALVE INNER	2	
5	4G0-12114-01-00	SPRING, VALVE OUTER	2	
6	5H0-12119-00-00	SEAL, VALVE STEM	2	
7	4G0-12117-00-00	RETAINER, VALVE SPRING ..	2	
8	4G0-12118-00-00	COTTER, VALVE	4	
9	36X-12151-00-00	ARM, VALVE ROCKER	2	
10	5H0-12156-00-00	SHAFT, ROCKER 2	1	
11	5H0-12146-00-00	SHAFT, ROCKER	1	
12	93210-09350-00	O-RING	1	
13	3Y1-12159-00-00	SCREW, VALVE ADJUSTING ..	2	
14	90170-06128-00	NUT	2	

21V110-3050

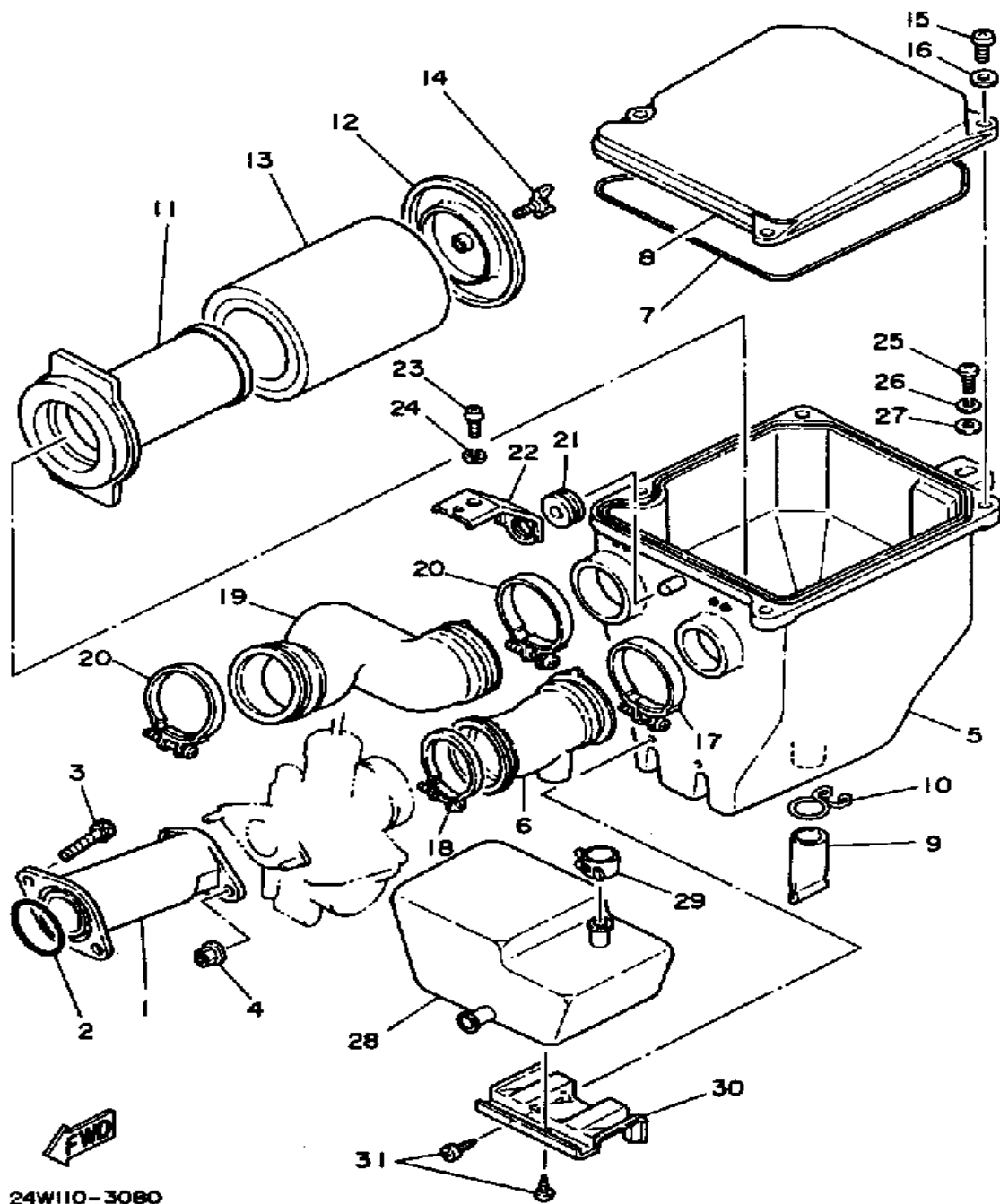




21V110-3070

OIL PUMP

Ref. No.	Part Number	Description	Qty	Remarks
1	21V-13300-00-00	OIL PUMP ASSEMBLY	1	
2	21V-13326-00-00	. GEAR, PUMP DRIVEN 2 (41T)	1	
3	93603-12030-00	. PIN, DOWEL	1	
4	4BE-13329-00-00	GASKET, PUMP COVER	1	
5	98701-06030-00	SCREW, FLAT HEAD	3	
6	51Y-13411-00-00	STRAINER, OIL	1	
7	90501-18576-00	SPRING, COMPRESSION	1	
8	5H0-15351-00-00	PLUG, DRAIN	1	
9	93210-35389-00	O-RING	1	
10	5H0-13440-00-00	ELEMENT ASSEMBLY, OIL CLEANER	1	
11	15A-13447-00-00	COVER, OIL ELEMENT	1	
12	93210-54175-00	O-RING	1	
13	90109-06419-00	BOLT	1	
14	93210-07135-00	O-RING	1	
15	91316-06020-00	BOLT	1	
16	91316-06115-00	BOLT, SOCKET HEAD	1	
17	21V-13324-00-00	GEAR, PUMP DRIVE	1	
18	21V-13409-01-00	CHECK VALVE ASSEMBLY	1	



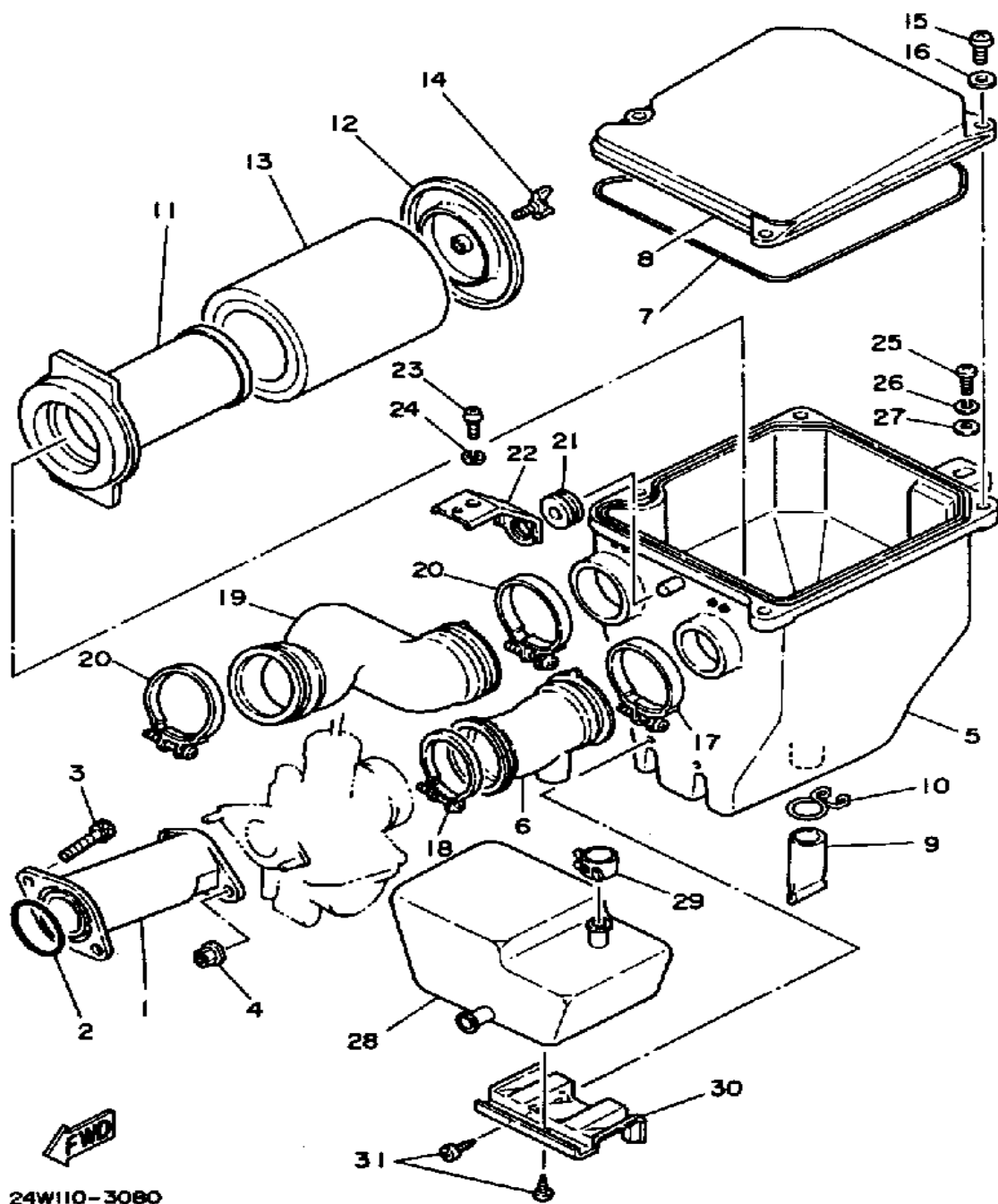
24W110-3080

AIR FILTER

Ref. No.	Part Number	Description	Qty	Remarks
1	24W-13586-02-00	JOINT, CARBURETOR 1	1	
2	93210-35537-00	O-RING	1	
3	91316-06020-00	BOLT	2	
4	95701-06500-00	NUT, FLANGE	2	
5	21V-14411-00-00	CASE, AIR CLEANER 1	1	
6	24W-14453-00-00	JOINT, AIR CLNR 1	1	
7	1VJ-14462-00-00	SEAL	1	
8	21V-14412-00-00	CAP, CLEANER CASE 1	1	
9	59V-14457-00-00	SEAL	1	
10	90467-22080-00	CLIP	1	
11	21V-14458-01-00	GUIDE, ELEMENT	1	
12	21V-14468-00-00	PLATE, ELEMENT FTNG	1	
13	21V-14450-90-00	ELEMENT ASSEMBLY CLEANER	1	U.R. DRY TYPE
	21V-14451-00-00	ELEMENT, AIR CLNR (STD)	1	U.R. WET TYPE
14	90122-05018-00	BOLT, WING	1	
15	98580-05016-00	SCREW, PAN HEAD	4	
16	92901-05600-00	WASHER, PLATE	4	
17	90460-49058-00	CLAMP, HOSE	1	
18	90460-46206-00	CLAMP, HOSE	1	
19	21V-14437-01-00	DUCT	1	
20	90460-49058-00	CLAMP, HOSE	2	
21	90480-16233-00	GROMMET	1	
22	21V-14499-00-00	STAY 2	1	
23	98580-06012-00	SCREW, PAN HEAD (92501-06012-00)	1	
24	92995-06100-00	WASHER, SPRING	1	
25	98580-06020-00	SCREW, PAN HEAD	1	
26	92995-06100-00	WASHER, SPRING	1	

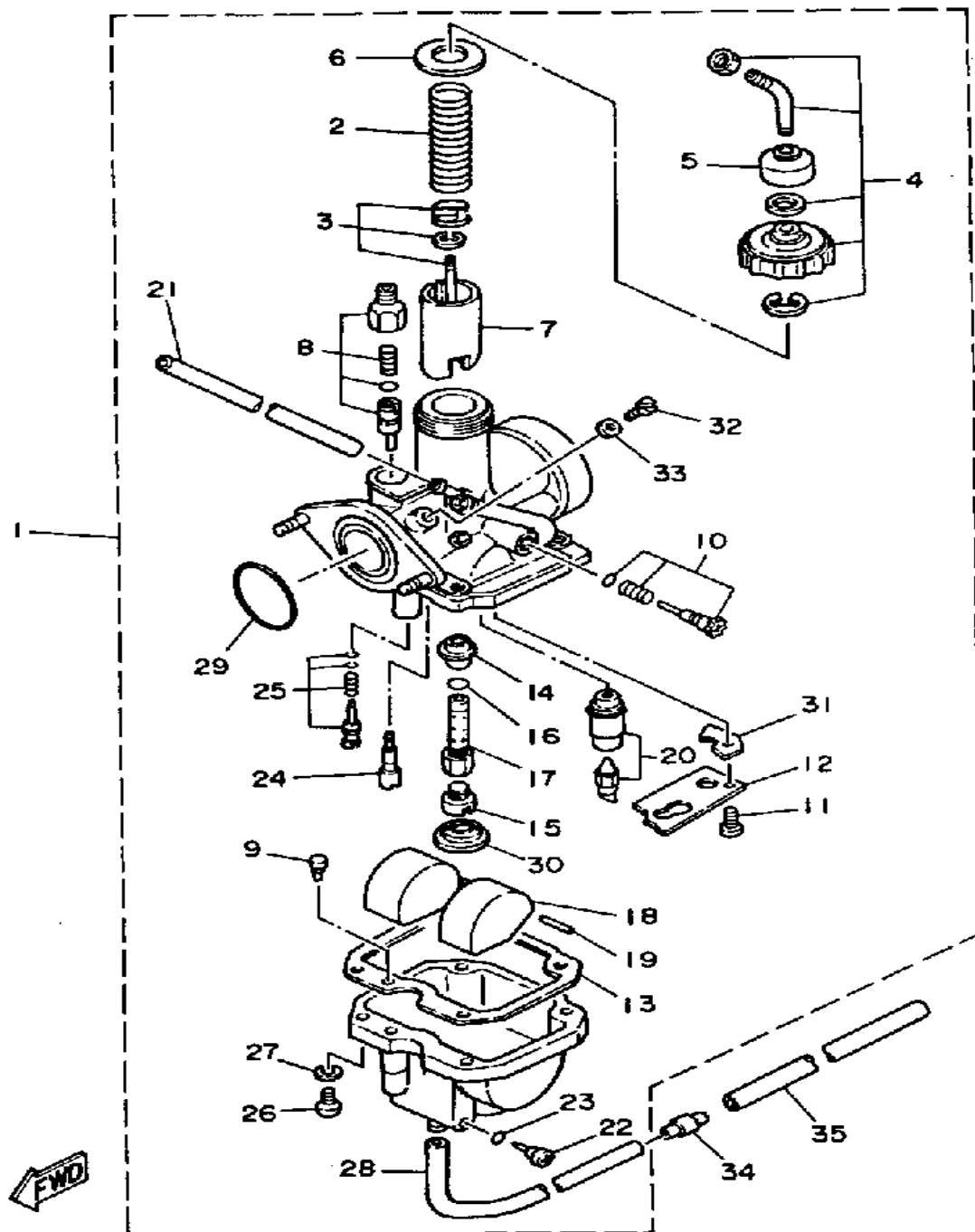
CONTINUED ON NEXT FRAME ►

AIR FILTER



Ref. No.	Part Number	Description	Qty	Remarks
27	90201-06067-00	WASHER, PLATE	1	
28	21V-13581-00-00	CHAMBER, AIR	1	
29	90467-19051-00	CLIP	1	
30	(21V-14493-00-00)	STAY 1	1	
31	97780-50612-00	SCREW, TAPPING	4	

CARBURETOR



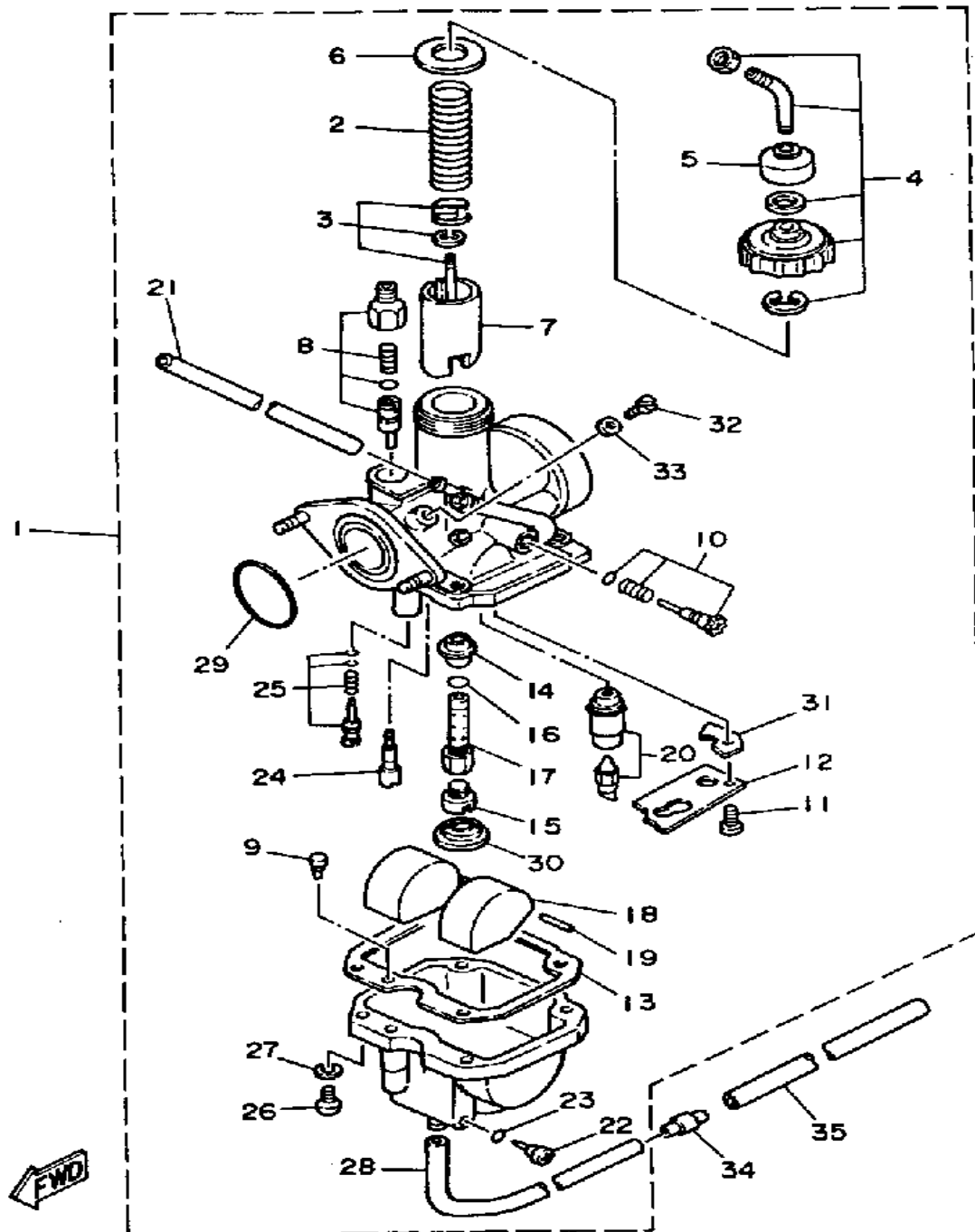
24W110-3090

Ref. No.	Part Number	Description	Qty	Remarks
1	24W-14101-01-00	CARBURETOR ASSEMBLY 1	1	
2	21V-14131-00-00	. SPRING, THROTTLE VALVE	1	
3	24W-1490J-00-00	. NEEDLE SET	1	
4	10X-14106-00-00	. CABLE ADJUST SCREW SET	1	
5	1M1-14169-00-00	. CAP	1	
6	4U5-14126-00-00	. GASKET	1	
7	24W-14112-40-00	. VALVE, THROTTLE 1	1	
8	21V-1410A-00-00	. STARTER SET	1	
9	(18M-14144-17-00)	JET, STARTER	1	
10	18G-14103-00-00	. THROTTLE SCREW SET	1	
11	98580-03008-00	. SCREW, PAN HEAD (98501-03008-00)	1	
12	21V-14146-00-00	. PLATE	1	
13	24W-14184-00-00	. GASKET, FLOAT CHAMBER	1	
14	21V-14141-26-00	. NOZZLE, MAIN	1	
15	620-1423A-73-00	. JET, MAIN (#112.5)	1	
16	583-14561-00-00	. O-RING	1	
17	21V-14148-00-00	. JET, HOLDER	1	
18	21V-14185-00-00	. FLOAT	1	
19	127-14186-00-00	. PIN, FLOAT	1	
20	21V-14190-18-00	. NEEDLE VALVE ASSY	1	
21	90445-084A7-00	. HOSE	1	
22	2L1-14191-00-00	. PLUG, DRAIN	1	
23	214-14147-00-00	. O-RING	1	
24	3H1-14142-25-00	. JET, PILOT # 5	1	
25	21V-14105-00-00	. PILOT SCREW SET	1	
26	98511-04016-00	. SCREW, PAN HEAD	4	
27	92901-04100-00	. WASHER, SPRING	4	
28	90445-08619-00	. HOSE	1	

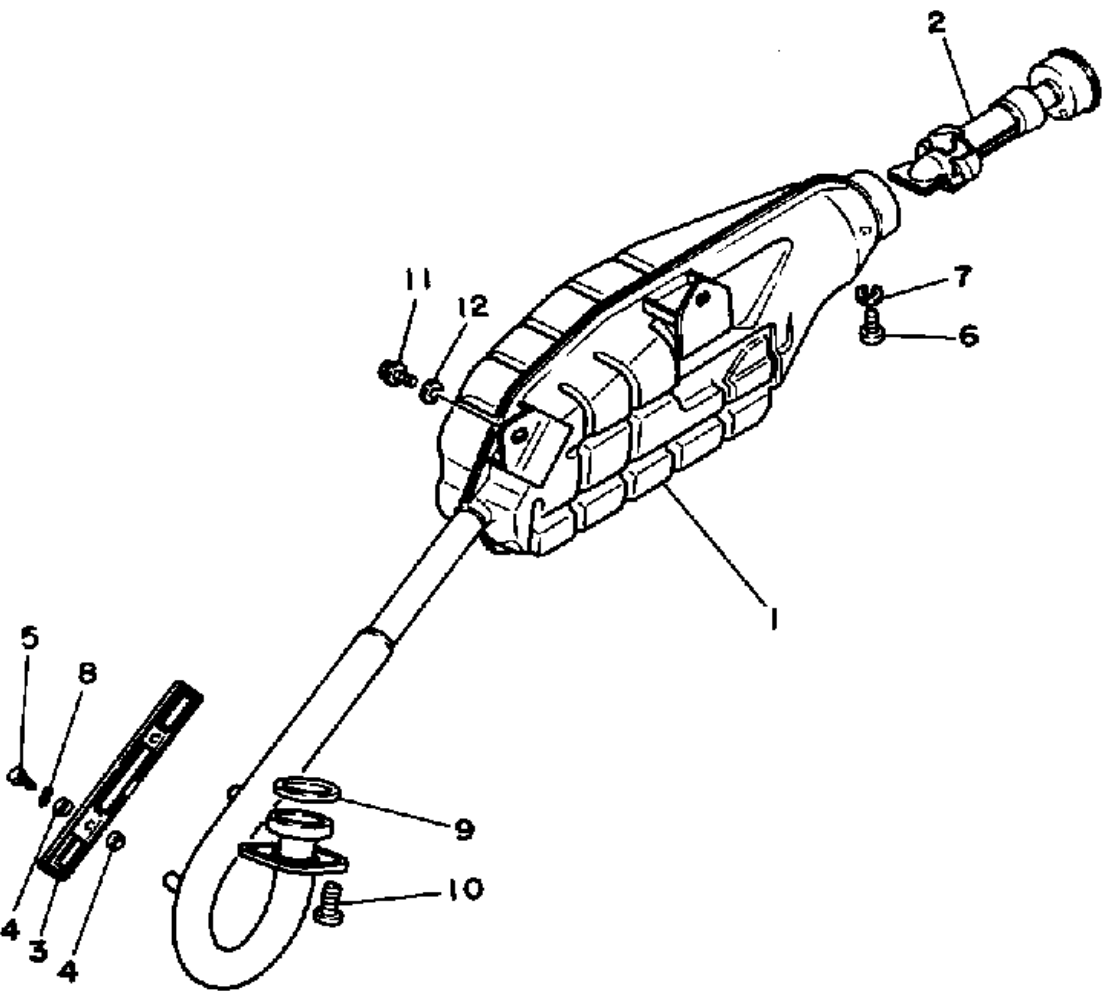
CONTINUED ON NEXT FRAME ►

CARBURETOR

Ref. No.	Part Number	Description	Qty	Remarks
29	24W-14147-00-00	. O-RING	1	
30	5V7-14153-00-00	. WASHER, MAIN JET	1	
31	24W-14146-00-00	. PLATE	1	
32	341-14991-00-00	. SCREW	1	
33	584-14956-00-00	. WASHER	1	
34	24W-14193-00-00	PIPE	1	
35	91A20-07010-00	TUBE, FLEXIBLE VINYL	1	



24W110-3090

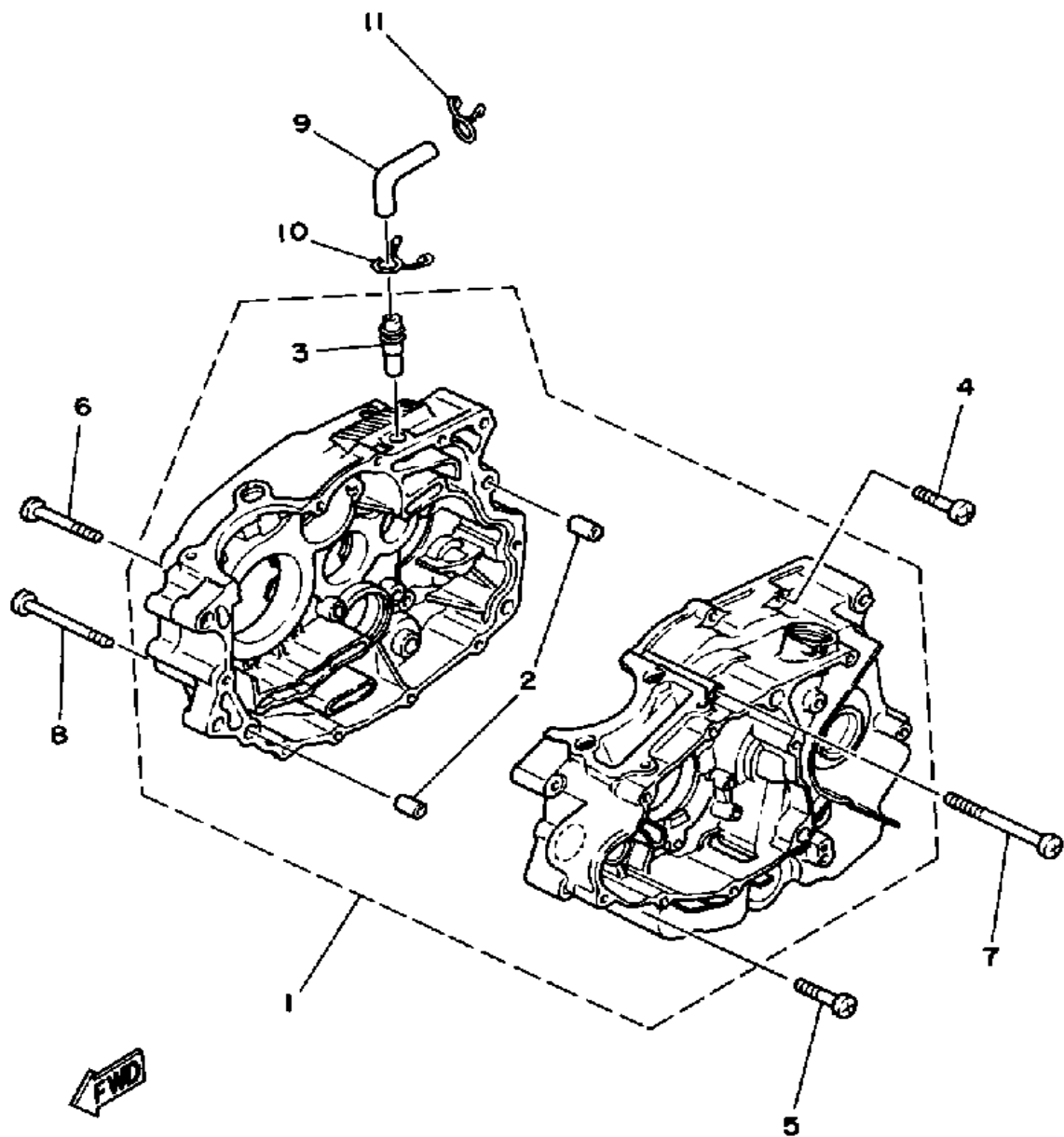


21V110-3100

EXHAUST

Ref. No.	Part Number	Description	Qty	Remarks
1	21V-14711-01-00	MUFFLER L	1	
2	21V-14752-00-00	PIPE, OUTLET	1	
3	21V-14628-00-00	PROTC, EXHAUST PIPEPIPE ..	1	
4	90202-05187-00	WASHER, PLATE	4	
5	98906-06008-00	SCREW, BIND	2	
6	98580-06008-00	SCREW, PAN HEAD	1	
7	92995-06100-00	WASHER, SPRING	1	
8	90206-06090-00	WASHER, WAVE	2	
9	4BE-14613-00-00	GASKET, EXHAUST PIPE	1	
10	91316-06020-00	BOLT	2	
11	95811-08016-00	BOLT, FLANGE	2	
12	90201-08326-00	WASHER, PLATE	2	

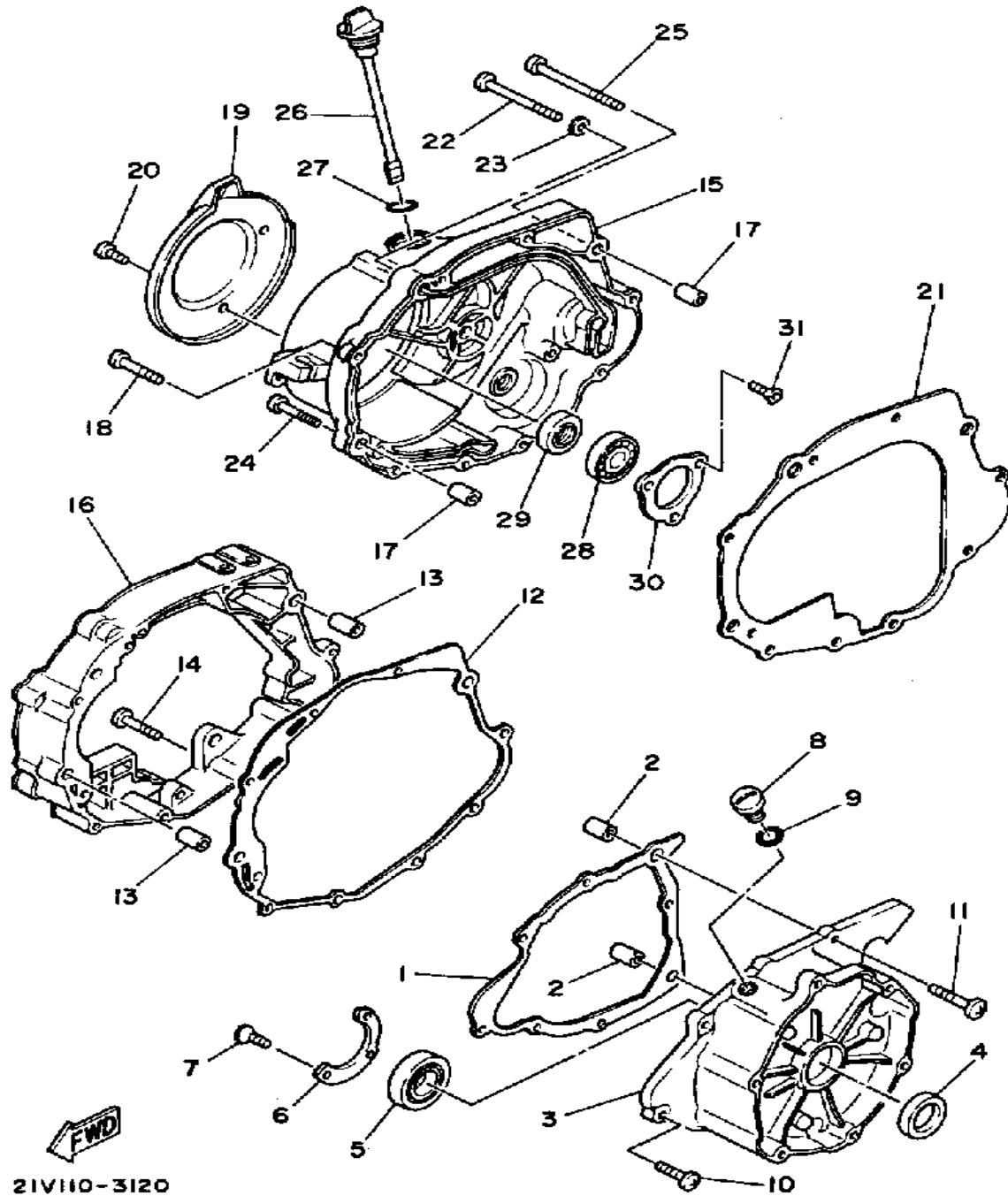
CRANKCASE



21V110-3110

Ref. No.	Part Number	Description	Qty	Remarks
1	21V-15100-00-00	CRANKCASE ASSEMBLY	1	
2	99510-12016-00	. PIN, DOWEL	2	
3	371-11167-01-00	. PIPE, BREATHER 2	1	
4	98580-06030-00	SCREW PAN HEAD	7	
5	98580-06040-00	SCREW, PAN HEAD	2	
6	92580-06560-00	SCREW PAN HEAD	1	
7	98511-06085-00	SCREW, PAN HEAD	1	
8	98501-06075-00	SCREW, PAN HEAD	1	
9	21V-11166-00-00	PIPE, BREATHER 1	1	
10	90467-15012-00	CLIP	1	
11	90467-15054-00	CLIP	1	

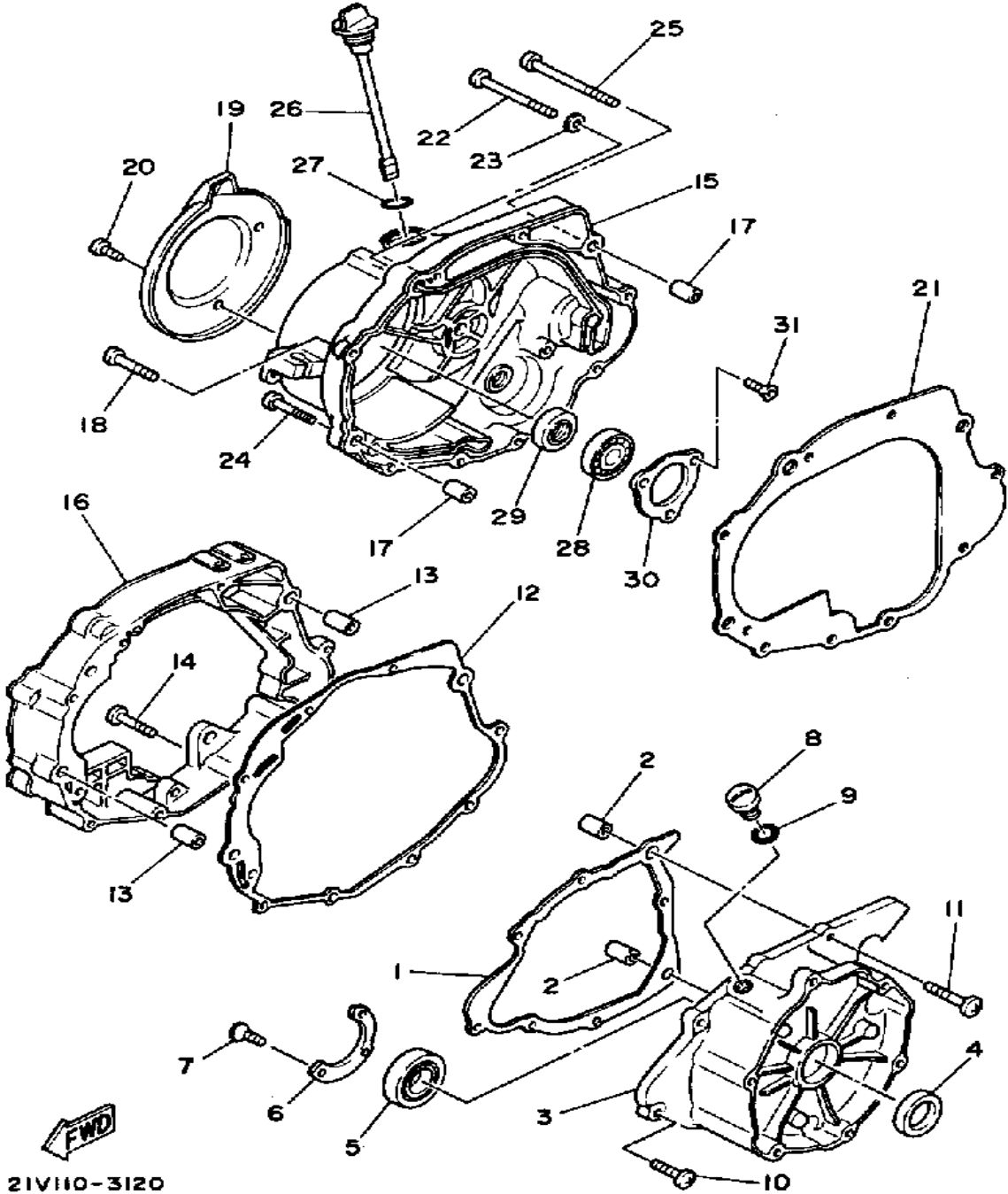
CRANKCASE COVER



Ref. No.	Part Number	Description	Qty	Remarks
1	19W-15451-01-00	GASKET, CRCS COVERCOVER 1	1	
2	99510-12016-00	PIN, DOWEL	2	
3	21V-15787-00-00	ADAPTOR	1	
4	93103-28141-00	OIL SEAL	1	
5	93306-20547-00	BEARING	1	
6	21V-15719-00-00	WASHER, THRUST	1	
7	90151-05031-00	SCREW, COUNTERSUNK	3	
8	90340-14079-00	PLUG, STRAIGHT SCRW	1	
9	93210-14369-00	O-RING	1	
10	98506-06025-00	SCREW, PAN HEAD	5	
11	98506-06040-00	SCREW, PAN HEAD	3	
12	4BD-15462-00-00	GASKET, CRANKCASE COVER 3	1	
13	99510-12016-00	PIN, DOWEL	2	
14	98580-06040-00	SCREW, PAN HEAD	3	
15	21V-15431-00-00	COVER, CRANKCASE 3	1	
16	21V-15317-00-00	SPACER, ENG MOUNT	1	
17	99510-12016-00	PIN, DOWEL	2	
18	98506-06040-00	SCREW, PAN HEAD	2	
19	21V-15499-00-00	PROTECTOR, COVER	1	
20	98906-06014-00	SCREW, BIND	3	
21	4BD-15463-00-00	GASKET, CARB CVR 2COVER 3	1	
22	98506-06070-00	SCREW, PAN HEAD	5	
23	90430-06014-00	GASKET	1	
24	98506-06040-00	SCREW, PAN HEAD	1	
25	98506-06080-00	SCREW, PAN HEAD	1	
26	1UY-15362-01-00	PLUG, OIL LEVEL	1	
27	93210-19123-00	O-RING	1	

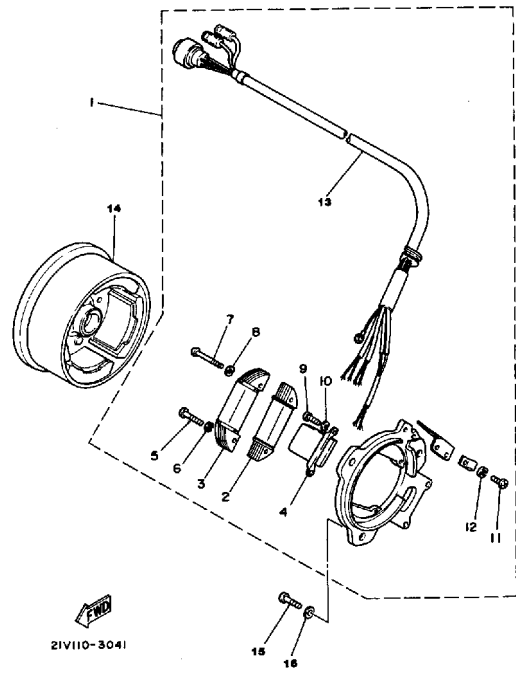
CONTINUED ON NEXT FRAME ►

CRANKCASE COVER



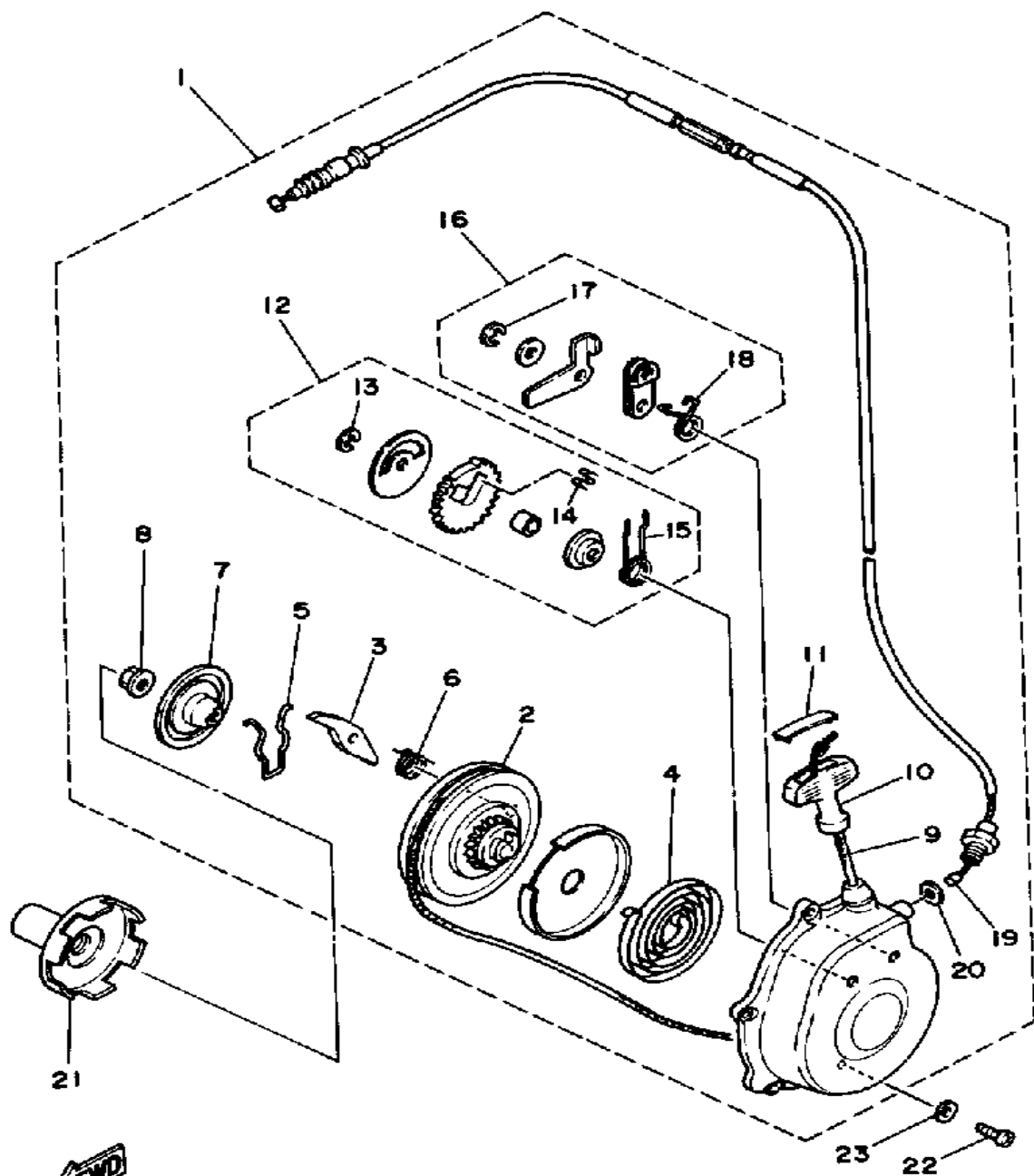
Ref. No.	Part Number	Description	Qty	Remarks
28	93306-20326-00	BEARING	1	
29	93101-17113-00	OIL SEAL	1	
30	21V-15381-00-00	PLATE, BEARING COVER	1	
31	90151-06025-00	SCREW, COUNTERSUNK	3	

GENERATOR



Ref. No.	Part Number	Description	Qty	Remarks
1	21V-85510-20-00	STATOR ASSEMBLY	1	
2	21V-85512-20-00	. COIL SOURCE 2	1	
3	21V-85513-20-00	. COIL, LIGHTING 1	1	
4	21V-85580-20-00	. COIL, PULSER	1	
5	98511-04020-00	. SCREW, PAN HEAD	2	
6	92901-04100-00	. WASHER, SPRING	2	
7	98511-04025-00	. SCREW, PAN HEAD	2	
8	92901-04100-00	. WASHER, SPRING	2	
9	98580-05010-00	. SCREW, PAN HEAD	2	
10	92990-05100-00	. WASHER, SPRING	2	
11	98580-04008-00	. SCREW, PAN HEAD	2	
12	92901-04100-00	. WASHER, SPRING	2	
13	29U-85515-20-00	. LEAD WIRE ASSEMBLY	1	
14	21V-85550-20-00	ROTOR ASSEMBLY	1	
15	98503-06014-00	SCREW, PAN HEAD (92501-06015)	3	
16	92901-06600-00	WASHER	3	

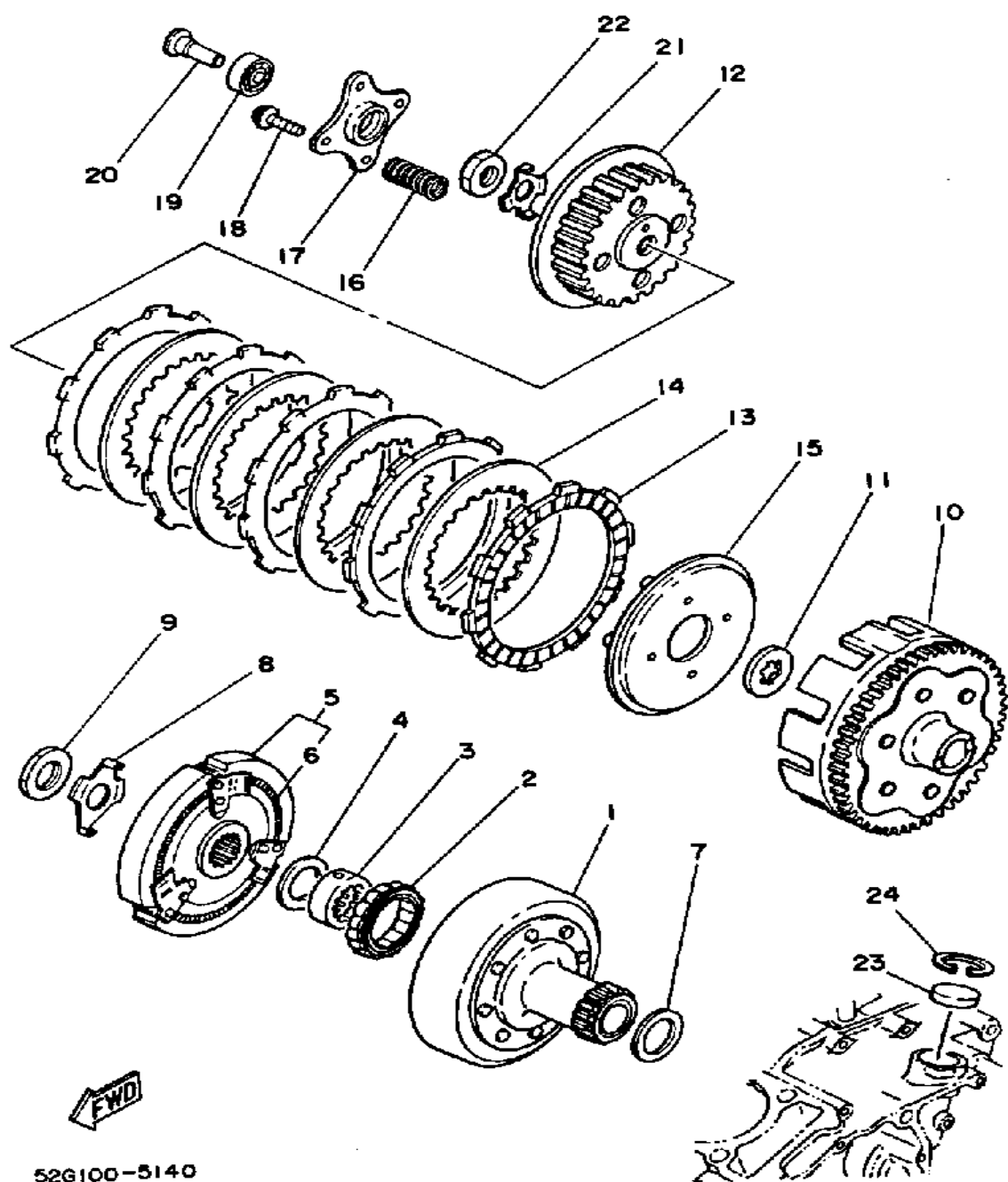
STARTER



21V110-3130

Ref. No.	Part Number	Description	Qty	Remarks
1	21V-Y1571-01-00	STARTER ASSEMBLY (21V-Y1571-00)	1	
2	21V-15714-00-00	. DRUM, SHEAVE	1	
3	21V-15741-00-00	. PAWL, DRIVE	1	
4	21V-15713-00-00	. SPRING, STARTER	1	
5	21V-15715-00-00	. SPRING, FRICTION	1	
6	21V-15767-00-00	. SPRING	1	
7	21V-15716-00-00	. PLATE, DRIVE	1	
8	95701-06500-00	. NUT, FLANGE	1	
9	5V6-15751-00-XX	. ROPE STARTER	1	
10	3X3-15755-00-00	. HANDLE, STARTER	1	
11	21V-15779-00-00	. COVER	1	
12	21V-W1562-01-00	. STARTER GEAR SET (21V-W1562-00)	1	
13	99009-06600-00	.. CIRCLIP	1	
14	21V-15789-01-00	.. DAMPER (21V-15789-00)	2	
15	21V-15734-01-00	.. SPRING, RETURN (21V-15734-00)	1	
16	21V-W1572-00-00	. DECOMP. LEVER SET	1	
17	99009-06600-00	.. CIRCLIP	1	
18	21V-15784-00-00	.. SPRING, RETURN	1	
19	21V-12292-00-00	. CABLE, DCOMP	1	
20	90201-082A6-00	. WASHER, PLATE	1	
21	21V-15723-00-00	PULLEY, STARTER	1	
22	98516-06020-00	SCREW, PAN HEAD	6	
23	90430-06016-00	GASKET	1	

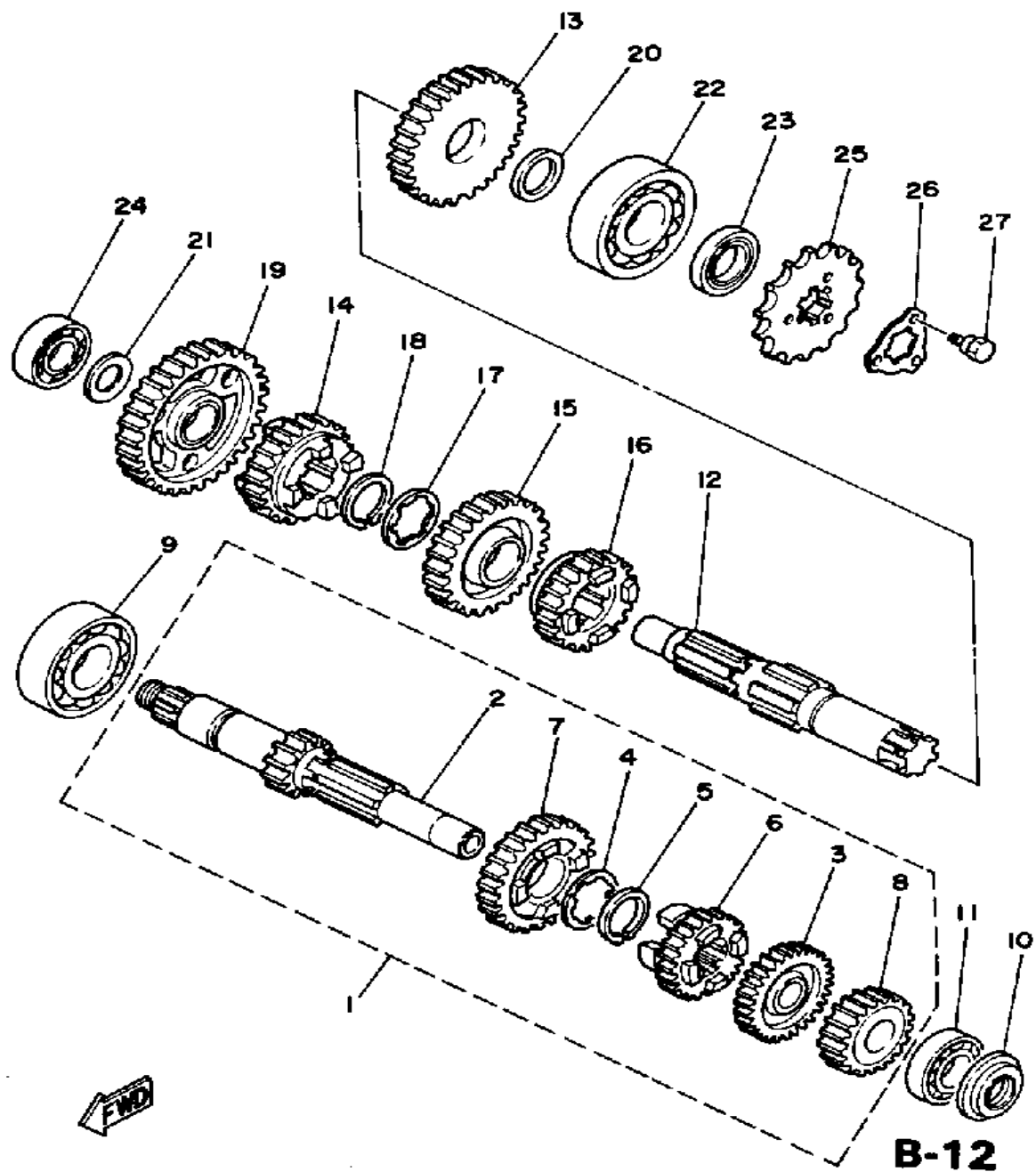
CLUTCH



52G100-5140

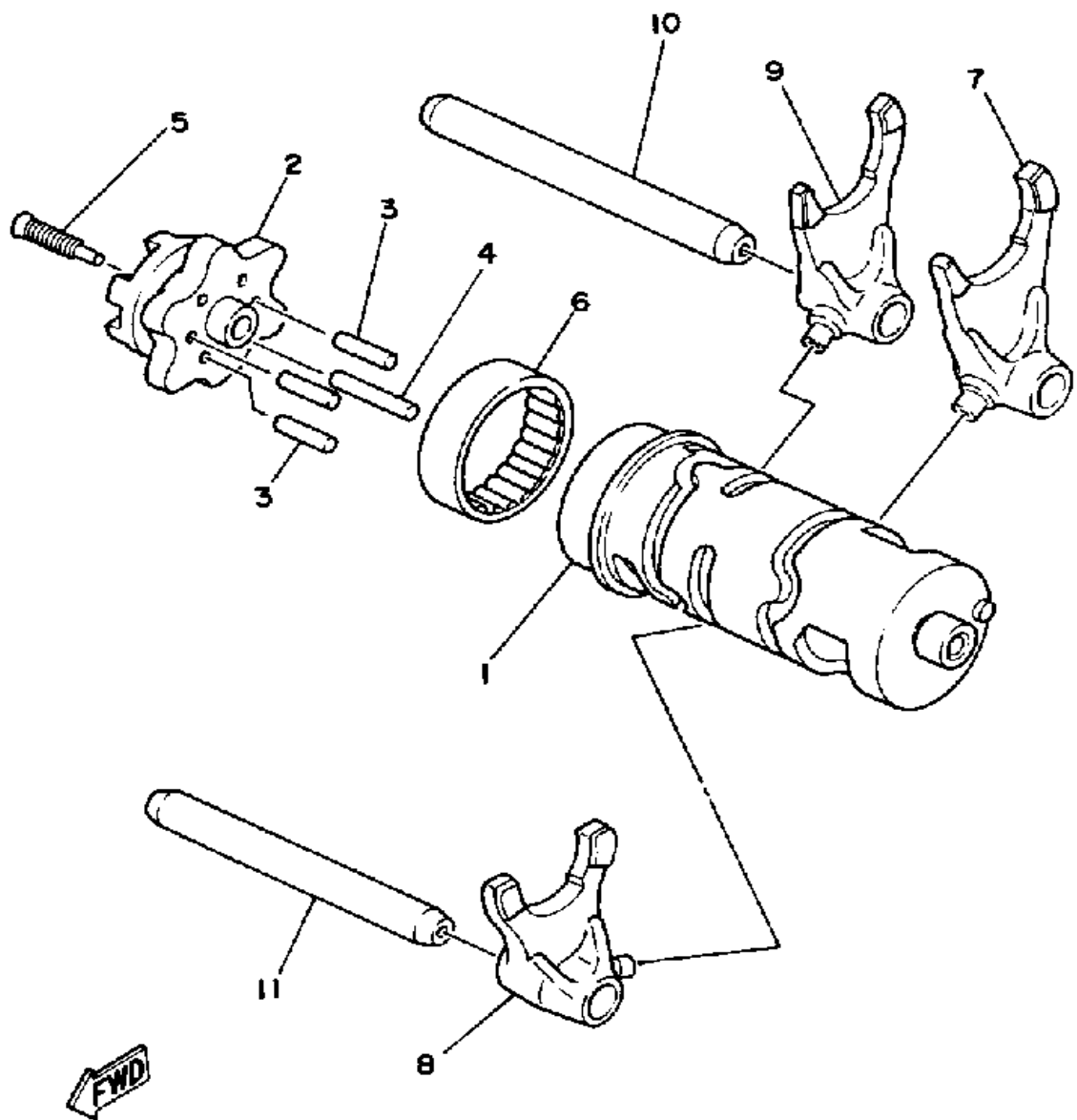
Ref. No.	Part Number	Description	Qty	Remarks
1	3GC-16611-00-00	CLUTCH HOUSING COMP.	1	
2	21V-16664-00-00	BEARING, ONE WAY	1	
3	21V-16665-01-00	RETAINER, BEARING	1	
4	90201-403G7-00	WASHER, PLATE	1	
5	99999-01949-00	CLUTCH CARRIER ASSEMBLY	1	
6	21V-16626-00-00	. SPRING, CLUTCH WT 1	2	
7	90201-266F6-00	WASHER, PLATE	1	
8	90215-22206-00	WASHER, LOCK	1	
9	90170-22371-00	NUT	1	
10	2HT-16150-00-00	PRIMARY DRIVEN GEAR COMP.	1	
11	5H0-16154-00-00	PLATE, THRUST 1	1	
12	21V-16371-01-00	BOSS, CLUTCH	1	
13	21V-16321-00-00	PLATE, FRICTION	5	
14	257-16324-00-00	PLATE, CLUTCH 1	4	
15	21V-16351-00-00	PLATE, PRESSURE 1	1	
16	90501-23700-00	SPRING, COMPRESSION	4	
17	21V-16352-00-00	PLATE, PRESSURE 2	1	
18	90159-05011-00	SCREW, WITH WASHER	4	
19	93306-00004-00	BEARING	1	
20	1YW-16358-00-00	PLATE, PUSH	1	
21	90215-14224-00	WASHER, LOCK	1	
22	90170-14284-00	NUT	1	
23	90338-26136-00	PLUG	1	
24	93420-28055-00	CIRCLIP	1	

TRANSMISSION



21V110-3150

Ref. No.	Part Number	Description	Qty	Remarks
1	21V-17401-00-00	MAIN AXLE ASSEMBLYCOMP. (12T)	1	
2	21V-17401-00-00	. MAIN AXLE ASSEMBLYCOMP. (12T)	1	
3	15A-17151-00-00	. GEAR, 5TH PINION (28T)	1	
4	90209-16209-00	. WASHER	1	
5	93410-20038-00	. CIRCLIP	1	
6	5H0-17121-01-00	. GEAR, 2ND PINION (22T)	1	
7	15A-17141-00-00	. GEAR, 4TH PINION (25T)	1	
8	15A-17121-00-00	. GEAR, 2ND PINION (19T)	1	
9	93306-20421-00	BEARING (B6204)	1	
10	93101-15101-00	OIL SEAL	1	
11	93306-20211-00	BEARING (6202SH2-C3)	1	
12	21V-17402-00-00	DRIVE AXLE ASSEMBLY	1	
13	15A-17221-00-00	GEAR, 2ND WHEEL (34T)	1	
14	15A-17241-00-00	GEAR, 4TH WHEEL (26T)	1	
15	15A-17231-00-00	GEAR, 3RD WHEEL (29T)	1	
16	1EV-17251-00-00	GEAR, 5TH WHEEL (23T)	1	
17	90209-18208-00	WASHER	1	
18	93410-22039-00	CIRCLIP	1	
19	15A-17211-01-00	GEAR, 1ST WHEEL (34T)	1	
20	90201-203E7-00	WASHER, PLATE	1	
21	90201-154E8-00	WASHER, PLATE (1.0T)	1	
22	93306-30424-00	BEARING (B6304A3)	1	
23	93102-20242-00	OIL SEAL	1	
24	93306-20211-00	BEARING (6202SH2-C3)	1	
25	93832-11007-00	SPROCKET, DRIVE 11T	1	
26	21V-17456-00-00	HOLDER, SPROCKET	1	
27	90109-06684-00	BOLT	3	

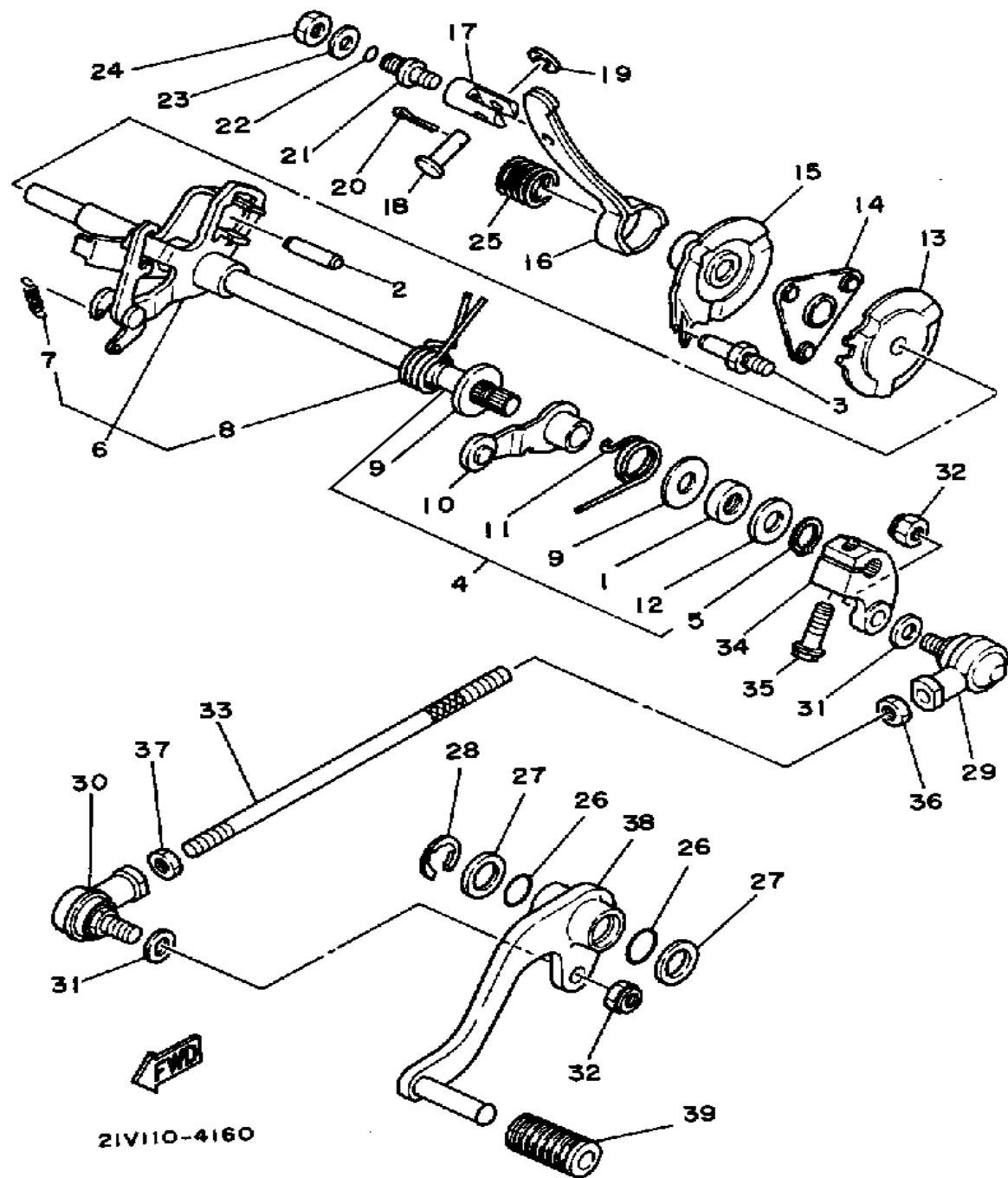


21V110-3160

SHIFT CAM-FORK

Ref. No.	Part Number	Description	Qty	Remarks
1	21V-18540-01-00	SHIFT CAM ASSEMBLY	1	
2	5H0-18185-01-00	SEGMENT	1	
3	93604-16092-00	PIN, DOWEL	4	
4	93604-20156-00	PIN, DOWEL	1	
5	90151-06013-00	SCREW, COUNTERSUNK	1	
6	93315-23612-00	BEARING	1	
7	5N0-18513-00-00	FORK, SHIFT 3	1	
8	5H0-18511-00-00	FORK, SHIFT 1	1	
9	5H0-18512-00-00	FORK, SHIFT 2	1	
10	5H0-18531-00-00	BAR, SHIF FRK GDE 1	1	
11	3Y1-18535-00-00	BAR, SHIF FRK GDE 2	1	

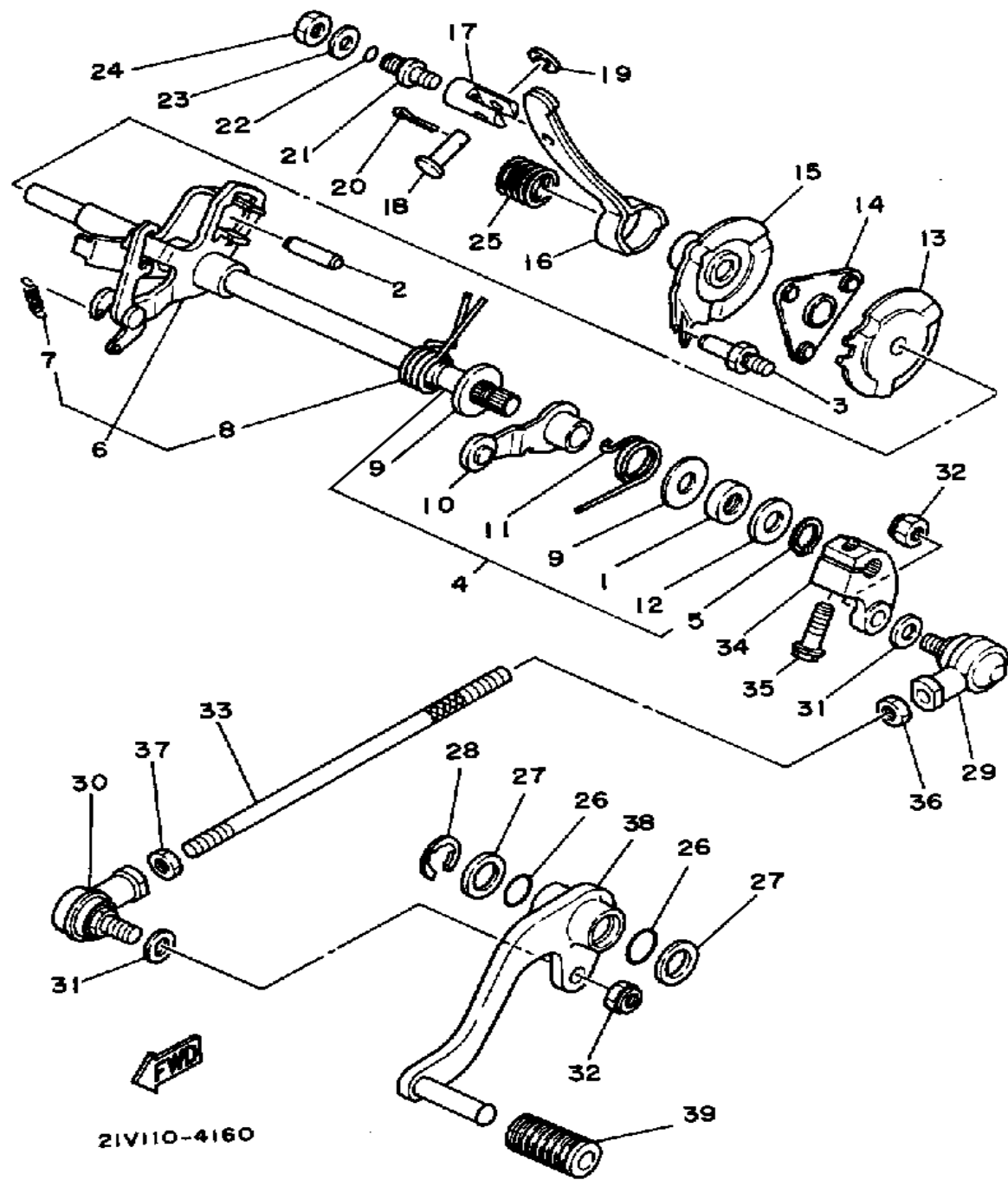
SHIFT SHAFT



Ref. No.	Part Number	Description	Qty	Remarks
1	93102-12321-00	OIL SEAL, SD-TYPE	1	
2	93608-30152-00	PIN, DOWEL	1	
3	21V-18177-00-00	BOLT, STOPPER	1	
4	21V-W1813-00-00	SHIFT SHAFT COMP.	1	
5	99009-12400-00	. CIRCLIP	1	
6	21V-18120-00-00	SHIFT LEVER ASSEMBLY	1	
7	90506-08227-00	. SPRING, TENSION	1	
8	90508-29570-00	. SPRING, TORSION	1	
9	90201-12588-00	WASHER, PLATE	2	
10	4G0-18140-00-00	STOPPER LEVER ASSEMBLY	1	
11	90508-26539-00	SPRING, TORSION	1	
12	90201-12575-00	WASHER, PLATE	1	
13	21V-18179-00-00	GUIDE	1	
14	21V-18181-00-00	HOLDER, PAWL	1	
15	21V-18104-00-00	SHIFT, GUIDE	1	
16	2HT-1817A-00-00	ARM, SHIFT 3	1	
17	21V-18126-00-00	PIN, LEVER	1	
18	21V-18118-00-00	PIN, JOINT	1	
19	92901-08600-00	WASHER, PLATE	1	
20	91490-16020-00	PIN, COTTER (91402-16015)	1	
21	21V-18127-00-00	STOPPER, SCREW	1	
22	93210-07590-00	O-RING	1	
23	90201-08649-00	WASHER, PLATE	1	
24	95316-08700-00	NUT (2GV)	1	
25	90501-16714-00	SPRING, COMPRESSION	1	
26	93210-15566-00	O-RING	2	
27	90201-15797-00	WASHER, PLATE	2	
28	93430-12008-00	CIRCLIP	1	
29	21V-18156-00-00	BALL, L R	1	

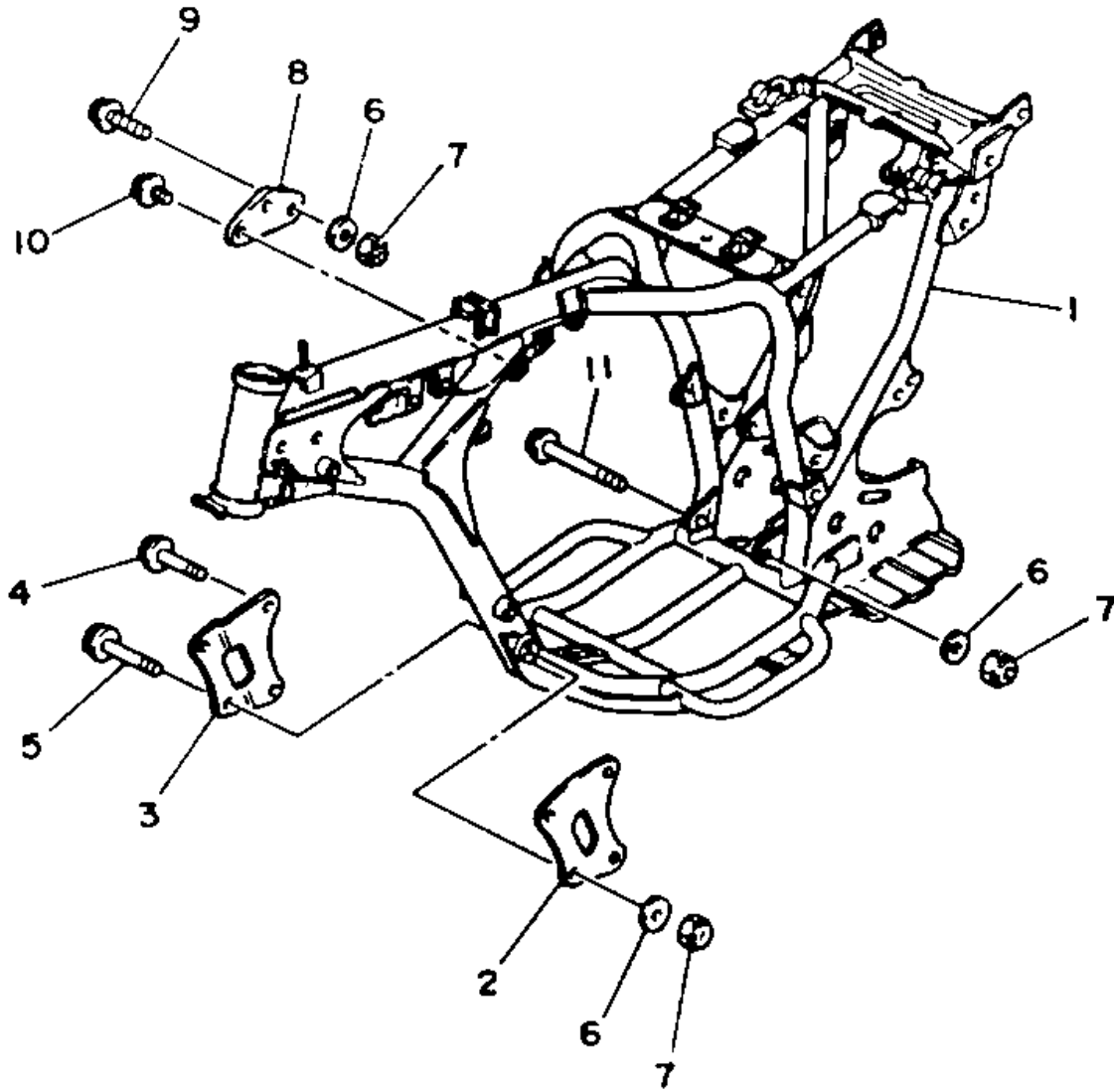
CONTINUED ON NEXT FRAME ►

SHIFT SHAFT



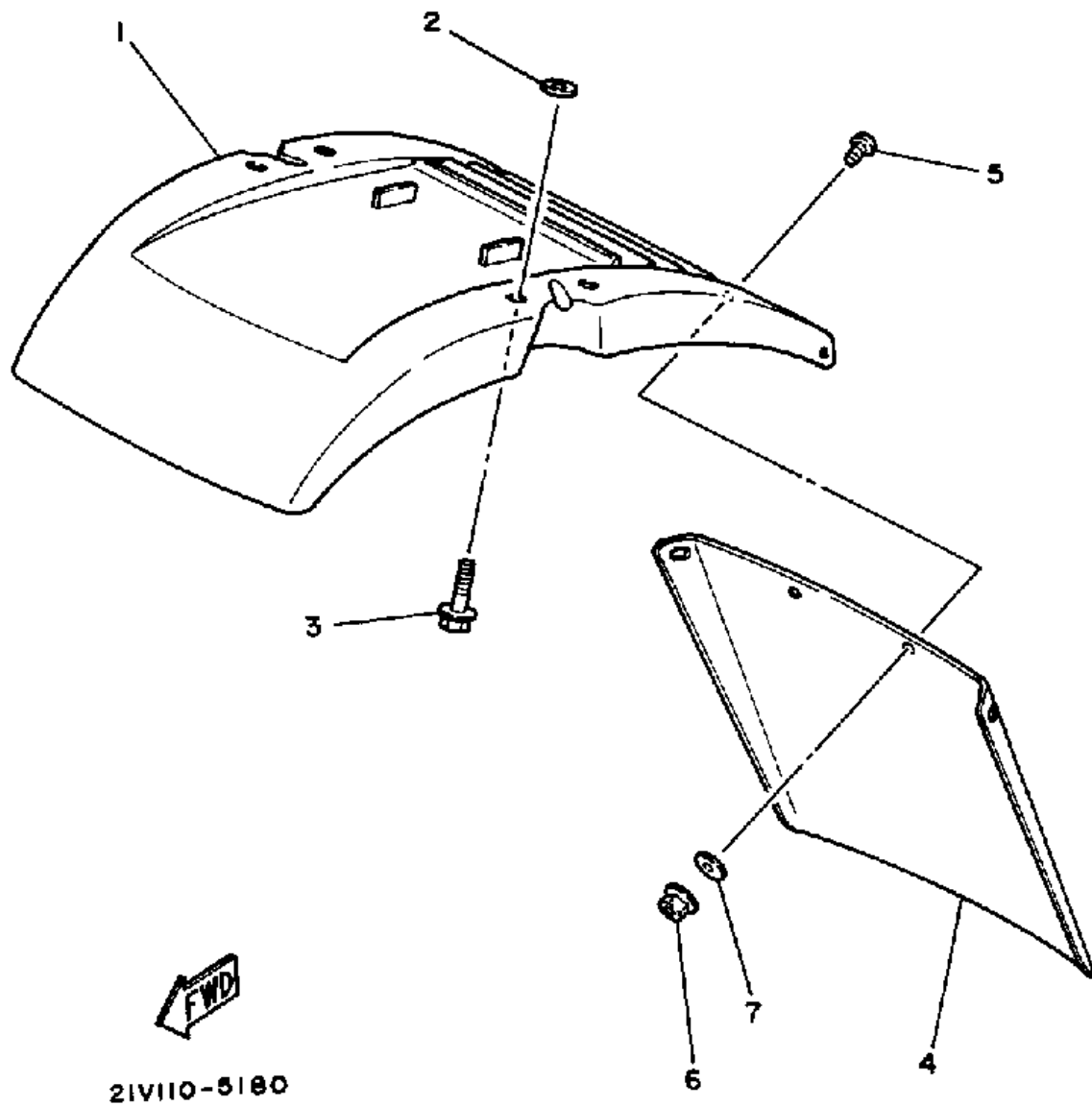
Ref. No.	Part Number	Description	Qty	Remarks
30	21V-18157-00-00	BALL, L L	1	
31	90201-081A6-00	WASHER, PLATE	2	
32	95616-08100-00	NUT, U	2	
33	21V-18115-00-00	ROD, SHIFT	1	
34	5V6-18116-00-00	JOINT, ROD 1	1	
35	95811-06025-00	BOLT, FLANGE	1	
36	95316-08700-00	NUT (2GV)	1	
37	90170-08261-00	NUT	1	
38	21V-18111-10-00	PEDAL, SHIFT	1	
39	132-18113-01-00	COVER, SHIFT PEDAL	1	

FRAME



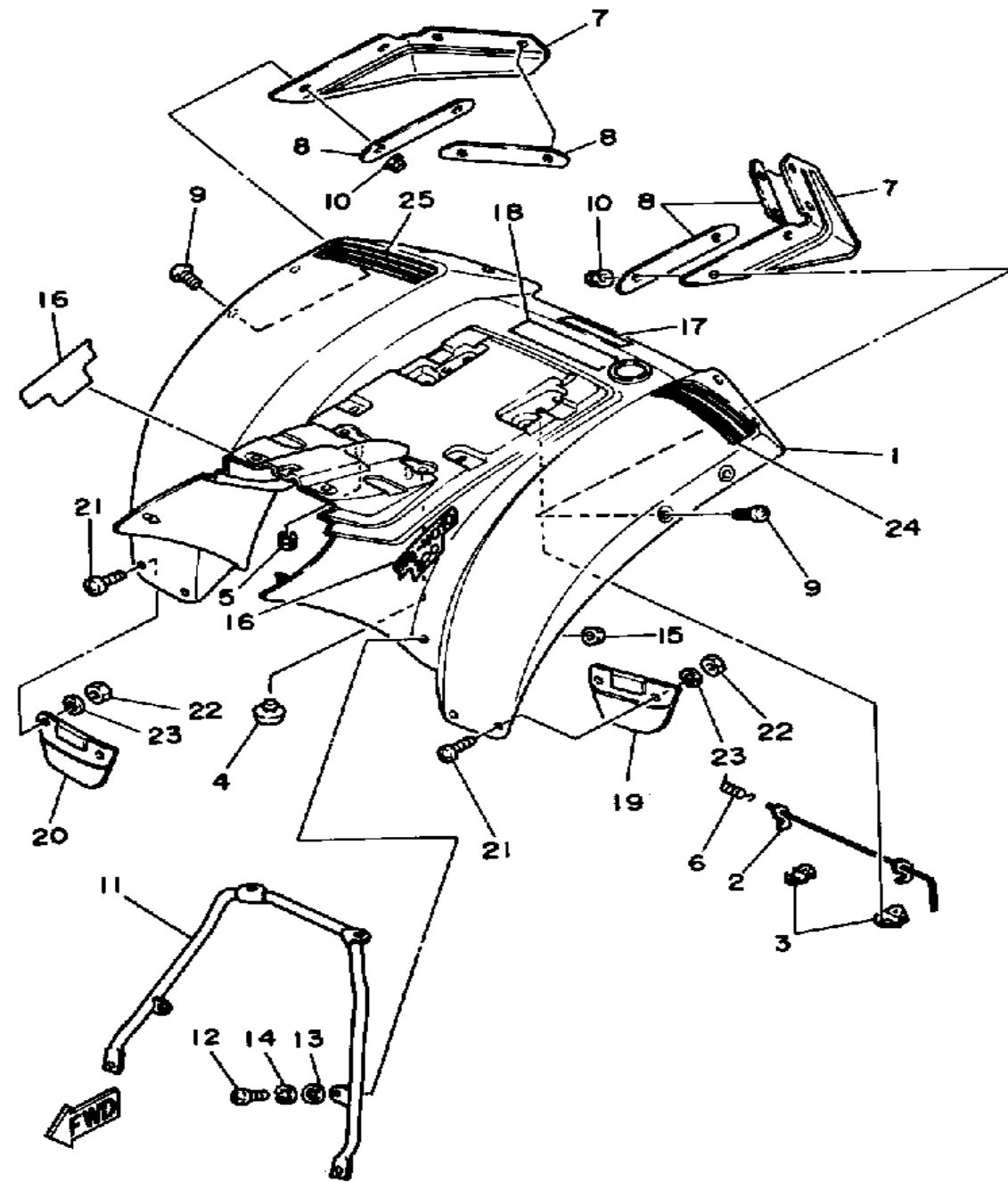
Ref. No.	Part Number	Description	Qty	Remarks
1	(21V-21110-01-33)	FRAME	1	YAMAHA BLACK
2	(21V-21316-00-00)	STAY, ENGINE 3	1	
3	(21V-21317-00-00)	STAY, ENGINE 4	1	
4	95811-08065-00	BOLT, FLANGE	2	
5	95811-08075-00	BOLT, FLANGE	2	
6	90201-094G1-00	WASHER, PLATE	7	
7	90185-08089-00	NUT, SELF-LOCKING	7	
8	24W-21315-00-00	STAY, ENGINE 2	1	
9	95811-08050-00	BOLT, FLANGE (95823-08050) .	1	
10	95811-08016-00	BOLT, FLANGE	2	
11	90105-08255-00	BOLT, WASHER BASED	2	

FRONT FENDER



Ref. No.	Part Number	Description	Qty	Remarks
1	21V-21511-00-00	FENDER, FRONT	1	U.R. COMP YEL
	21V-21511-50-00	FENDER, FRONT	1	U.R. SKY BLUE
2	90209-06187-00	WASHER	4	
3	90119-06063-00	BOLT, WITH WASHER	4	
4	21V-21521-00-00	FLAP, FRONT FENDER	1	
5	90154-05059-00	SCREW, BINDING	4	
6	95701-05500-00	NUT, FLANGE	4	
7	90201-05029-00	WASHER, PLATE	4	

REAR FENDER

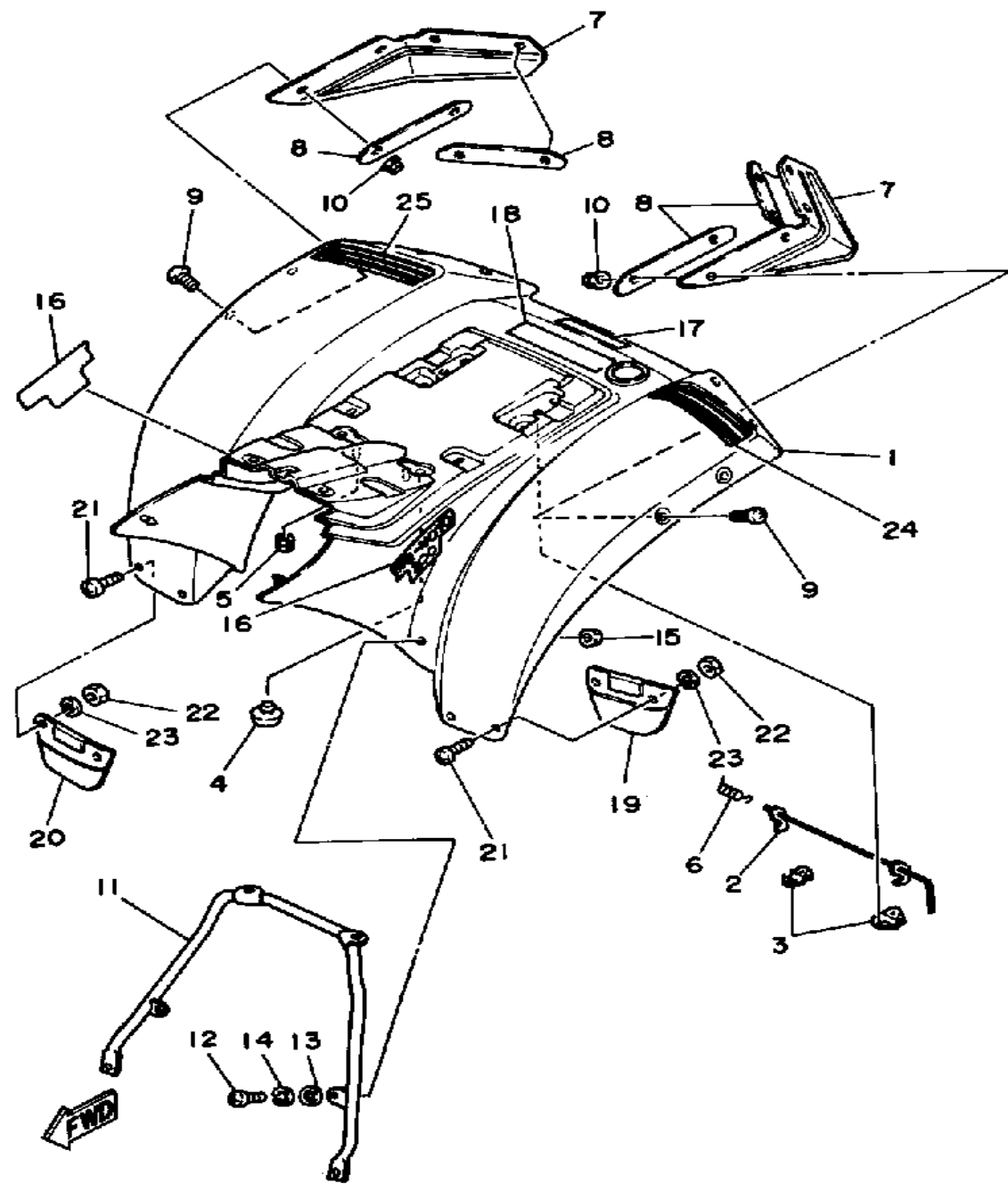


21V110-5190

Ref. No.	Part Number	Description	Qty	Remarks
1	21V-21611-00-00	FENDER, REAR	1	U.R. COMP YEL
	21V-21611-50-00	FENDER, REAR	1	U.R. SKY BLUE
2	21V-24776-00-00	LEVER, SEAT	1	
3	21V-24775-00-00	BRACKET, SEAT LEVER	2	
4	1L9-24741-00-00	PAD, SEAT	4	
5	90480-19351-00	GROMMET	2	
6	90508-23567-00	SPRING, TORSION	1	
7	21V-21621-00-00	FLAP	2	
8	21V-21623-00-00	PLATE, FLAP FTNG 1	4	
9	90154-05059-00	SCREW, BINDING	8	
10	95701-05500-00	NUT, FLANGE	8	
11	21V-21613-01-00	STAY, FENDER 1	1	
12	98903-06016-00	SCREW, BIND	2	
13	92901-06600-00	WASHER	2	
14	92995-06100-00	WASHER, SPRING	2	
15	95380-06600-00	NUT, HEXAGON	2	
16	21V-2163G-40-00	EMBLEM 1	2	U.R. FOR CPY
	21V-2163G-60-00	EMBLEM 2	2	U.R. FOR SYB
17	21V-21784-50-00	EMBLEM 4	1	U.R. FOR SYB
	3X3-21784-00-00	EMBLEM 4	1	U.R. FOR CPY
18	21V-21659-30-00	LABEL, SAFETY (52G-21659-00)	1	
19	21V-2163A-00-00	COVER, REAR FENDER	1	
20	21V-2163E-00-00	COVER, REAR FNDR 3	1	
21	90154-05016-00	SCREW, BINDING	4	
22	95612-05100-00	NUT, U	4	
23	90201-05036-00	WASHER, PLATE	4	
24	21V-21661-40-00	GRAPHIC, R.FNDR.LHR. FENDER COVER (L.H)	1	U.R. FOR CPY
	21V-21661-60-00	GRAPHIC, R.FNDR.LHR. FENDER COVER (L.H)	1	U.R. FOR SYB

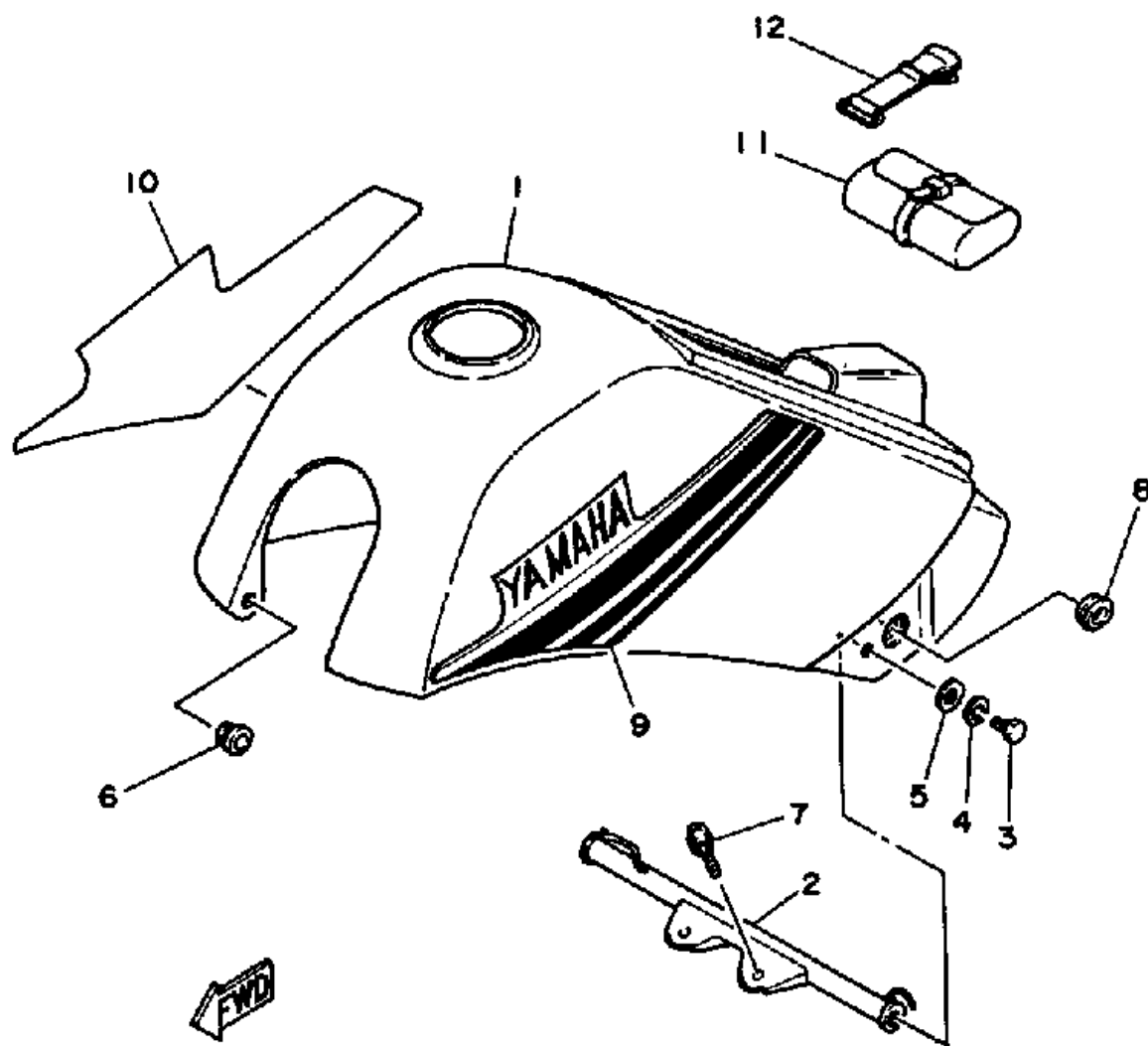
CONTINUED ON NEXT FRAME ►

REAR FENDER



Ref. No.	Part Number	Description	Qty	Remarks
25	(21V-21662-60-00)	GRAPHIC, R.FNDR.RH	1	U.R. FOR SYB
	21V-21662-40-00	GRAPHIC, R.FNDR.RHR. FENDER COVER (R.H)	1	U.R. FOR CPY

21V110-5190

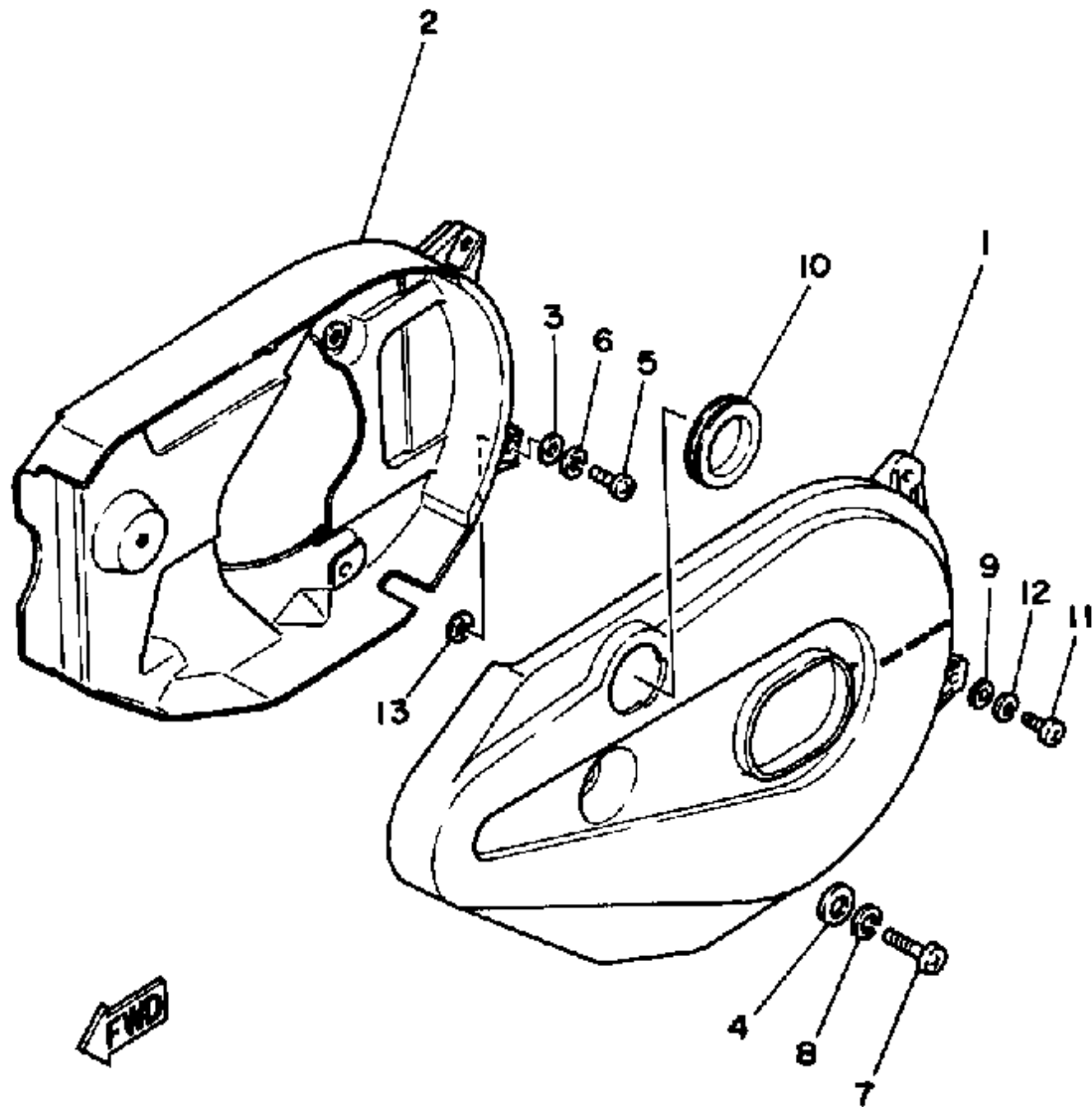


21V110-5200

SIDE COVER

Ref. No.	Part Number	Description	Qty	Remarks
1	21V-21711-00-00	COVER, SIDE 1	1	U.R. COMP YEL
	21V-21711-50-00	COVER, SIDE 1	1	U.R. SKY BLUE
2	(21V-2172E-00-00)	STAY, SIDE COVER 1	1	
3	97013-06012-00	BOLT	2	
4	92995-06100-00	WASHER, SPRING	2	
5	92901-06600-00	WASHER	2	
6	90480-10343-00	GROMMET	2	
7	90159-06016-00	SCREW, WITH WASHER	2	
8	90480-01401-00	GROMMET	2	
9	21V-21781-40-00	EMBLEM 1	1	U.R. FOR CPY
	21V-21781-60-00	EMBLEM 1	1	U.R. FOR SYB
10	21V-21782-40-00	EMBLEM 2	1	U.R. FOR CPY
	21V-21782-60-00	EMBLEM 2	1	U.R. FOR SYB
11	59V-28100-00-00	TOOL KIT (24W-28100-00)	1	
12	21V-21376-00-00	BAND, TOOL	1	

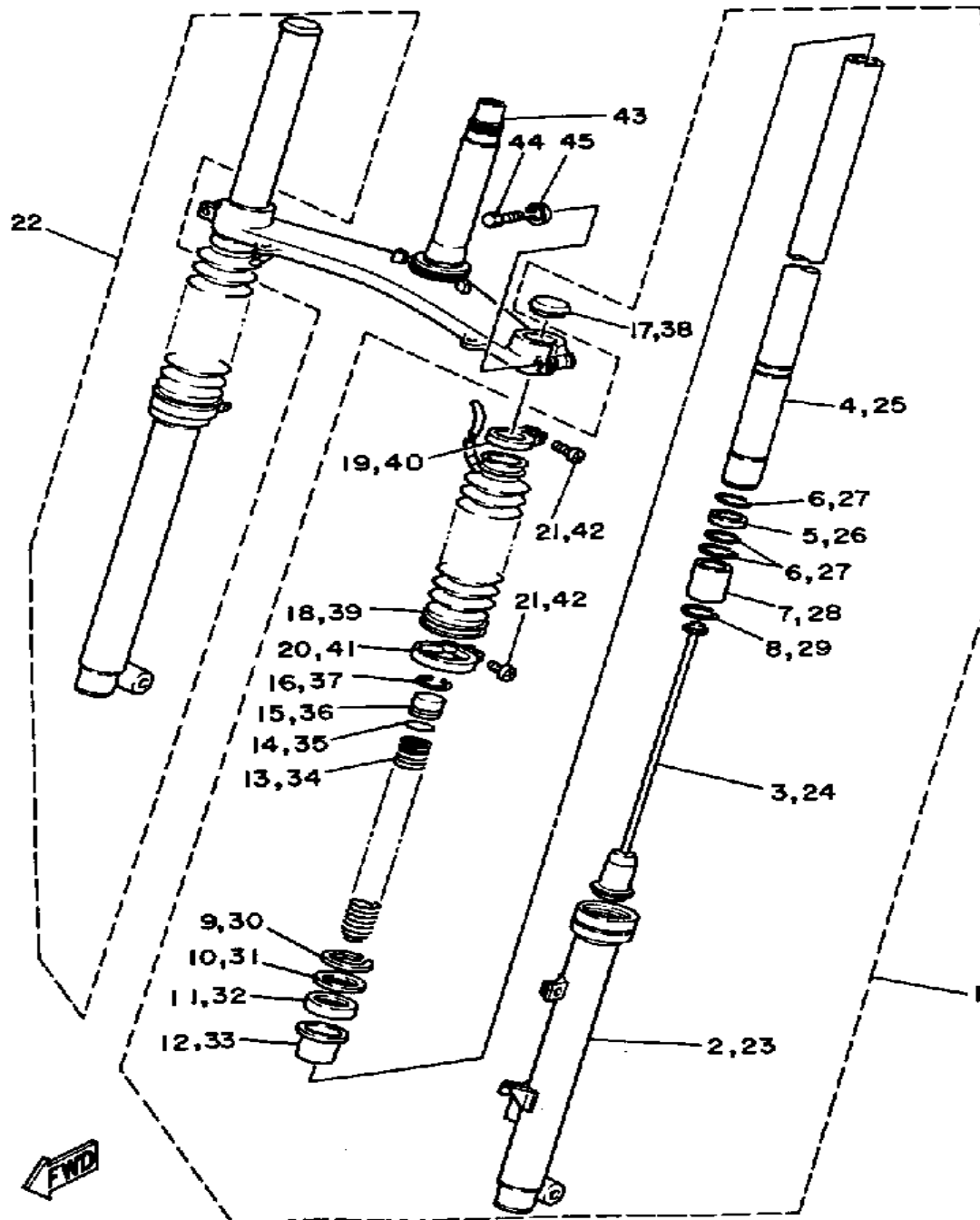
SWING ARM



Ref. No.	Part Number	Description	Qty	Remarks
1	21V-22311-00-00	CASE, CHAIN	1	
2	21V-22312-00-00	CASE, CHAIN 2	1	
3	90201-06M08-00	WASHER, PLATE	2	
4	90201-063J2-00	WASHER, PLATE	1	
5	98503-06014-00	SCREW, PAN HEAD (92501-06015)	2	
6	92995-06100-00	WASHER, SPRING	2	
7	98516-06020-00	SCREW, PAN HEAD	3	
8	92906-06100-00	WASHER, SPRING	3	
9	90201-053E0-00	WASHER, PLATE	2	
10	90338-44093-00	PLUG	1	
11	98580-05016-00	SCREW, PAN HEAD	2	
12	92990-05100-00	WASHER, SPRING	2	
13	90183-05013-00	NUT, SPRING	2	

21V110-3220

FRONT FORK

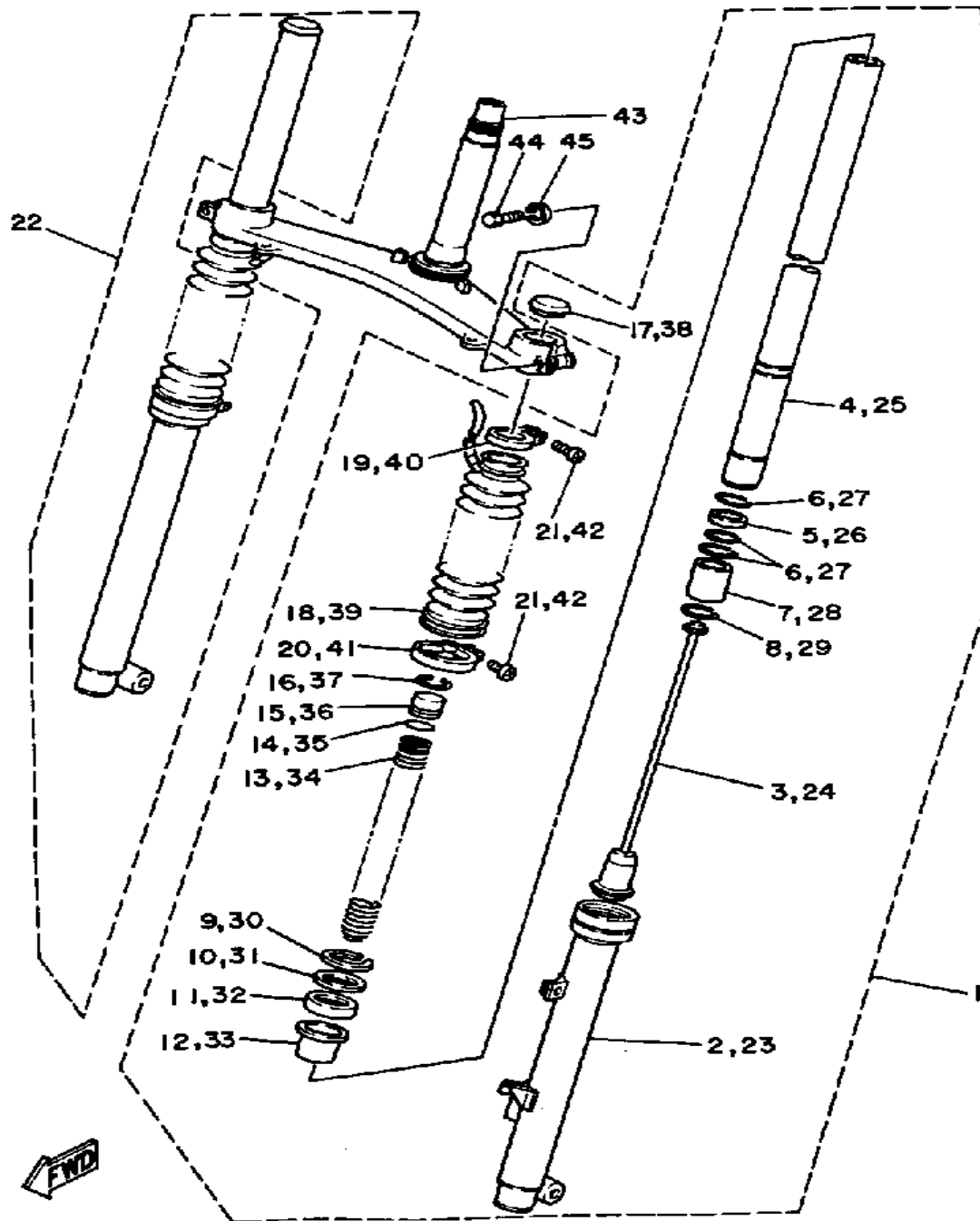


21V110-5230

Ref. No.	Part Number	Description	Qty	Remarks
1	21V-23102-00-35	FRONT FORK ASSEMBLY LASSEMBLY (L.H)	1	SILVER
2	21V-23106-00-35	. OUTER TUBE LH (L.H.)	1	SILVER
3	21V-23170-00-00	. CYLINDER, FRTRFRKFRONT FORK	1	
4	21V-23110-00-00	. INNER TUBE 1	1	
5	5H0-23113-00-00	. COLLAR	1	
6	93440-29110-00	. CIRCLIP, OUTER	3	
7	5H0-23189-00-00	. FREE-PSTN, FRT FORKFRONT FORK	1	
8	93440-27091-00	. CIRCLIP, OUTER	1	
9	99009-42500-00	. CIRCLIP	1	
10	5H0-23146-00-00	. WASHER, OIL SEAL	1	
11	93110-30013-00	. OIL SEAL, SWO-TYPE	1	
12	5H0-23125-00-00	. METAL, SLIDE 1	1	
13	21V-23141-00-00	. SPRING, FRONT FORK	1	
14	93210-21276-00	. O-RING	1	
15	5H5-23111-00-00	. BOLT, CAP	1	
16	93450-27071-00	. CIRCLIP, INNER	1	
17	5H5-23154-00-00	. PLUG, INNER TUBE	1	
18	21V-2312A-00-00	. BOOT	1	
19	90460-52259-00	. CLAMP, HOSE	1	
20	90460-35260-00	. CLAMP, HOSE	1	
21	98506-04020-00	. SCREW, PAN HEAD	2	
22	21V-23103-00-35	FRONT FORK ASSEMBLY R	1	SILVER
23	21V-23107-00-35	. OUTER TUBE RH (R.H.)	1	SILVER
24	21V-23170-00-00	. CYLINDER, FRTRFRKFRONT FORK	1	
25	21V-23110-00-00	. INNER TUBE 1	1	
26	5H0-23113-00-00	. COLLAR	1	

CONTINUED ON NEXT FRAME ►

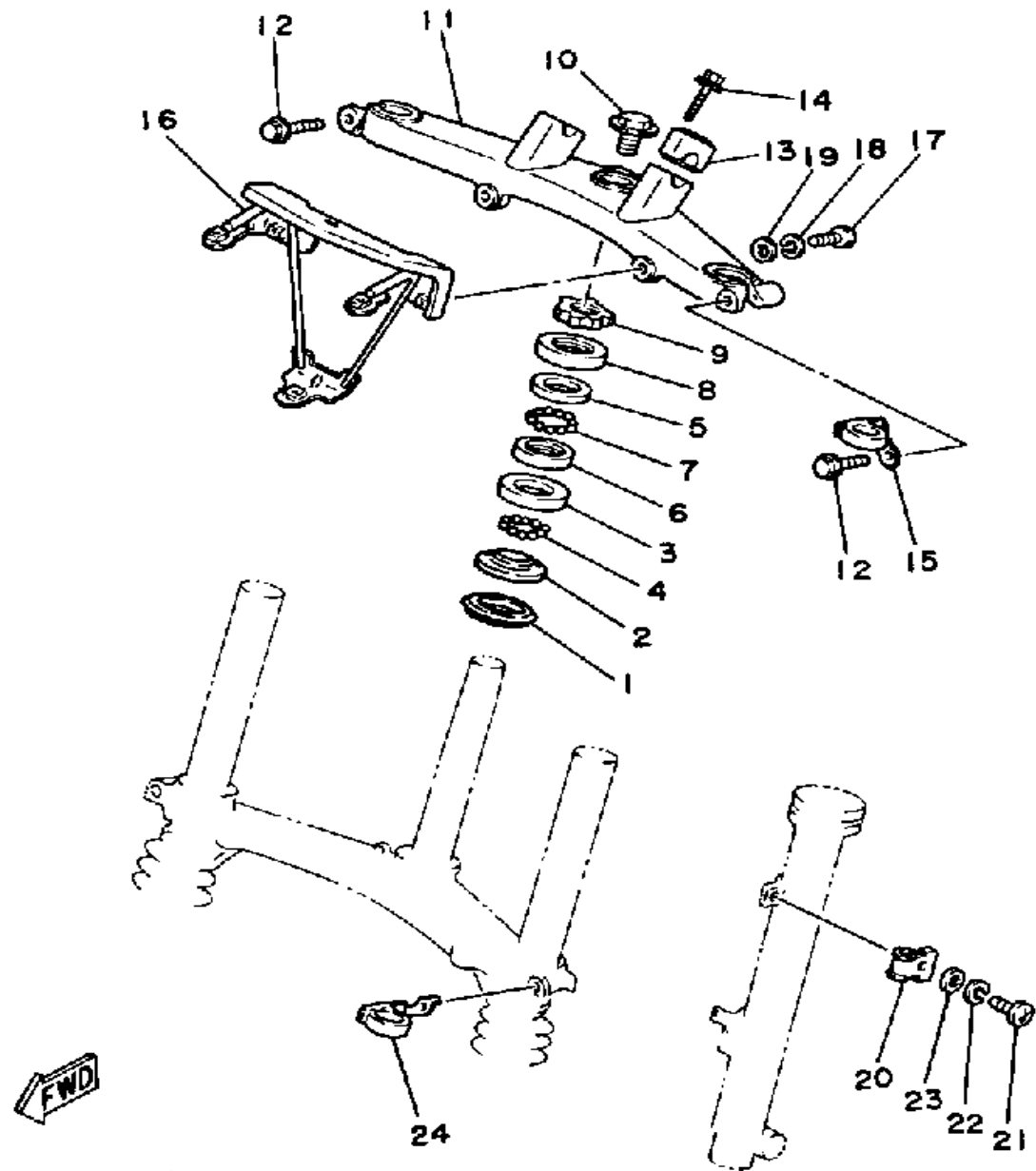
FRONT FORK



21V110-5230

Ref. No.	Part Number	Description	Qty	Remarks
27	93440-29110-00	. CIRCLIP, OUTER	3	
28	5H0-23189-00-00	. FREE-PSTN, FRT FORKFRONT FORK	1	
29	93440-27091-00	. CIRCLIP, OUTER	1	
30	99009-42500-00	. CIRCLIP	1	
31	5H0-23146-00-00	. WASHER, OIL SEAL	1	
32	93110-30013-00	. OIL SEAL, SWO-TYPE	1	
33	5H0-23125-00-00	. METAL, SLIDE 1	1	
34	21V-23141-00-00	. SPRING, FRONT FORK	1	
35	93210-21276-00	. O-RING	1	
36	5H5-23111-00-00	. BOLT, CAP	1	
37	93450-27071-00	. CIRCLIP, INNER	1	
38	5H5-23154-00-00	. PLUG, INNER TUBE	1	
39	21V-2312A-00-00	. BOOT	1	
40	90460-52259-00	. CLAMP, HOSE	1	
41	90460-35260-00	. CLAMP, HOSE	1	
42	98506-04020-00	. SCREW, PAN HEAD	2	
43	21V-23340-10-98	UNDER BRACKETCOMP	1	LOW GLOSS BLK
44	97023-10035-00	BOLT, HEXAGON	2	
45	92990-10100-00	WASHER, SPRING	2	

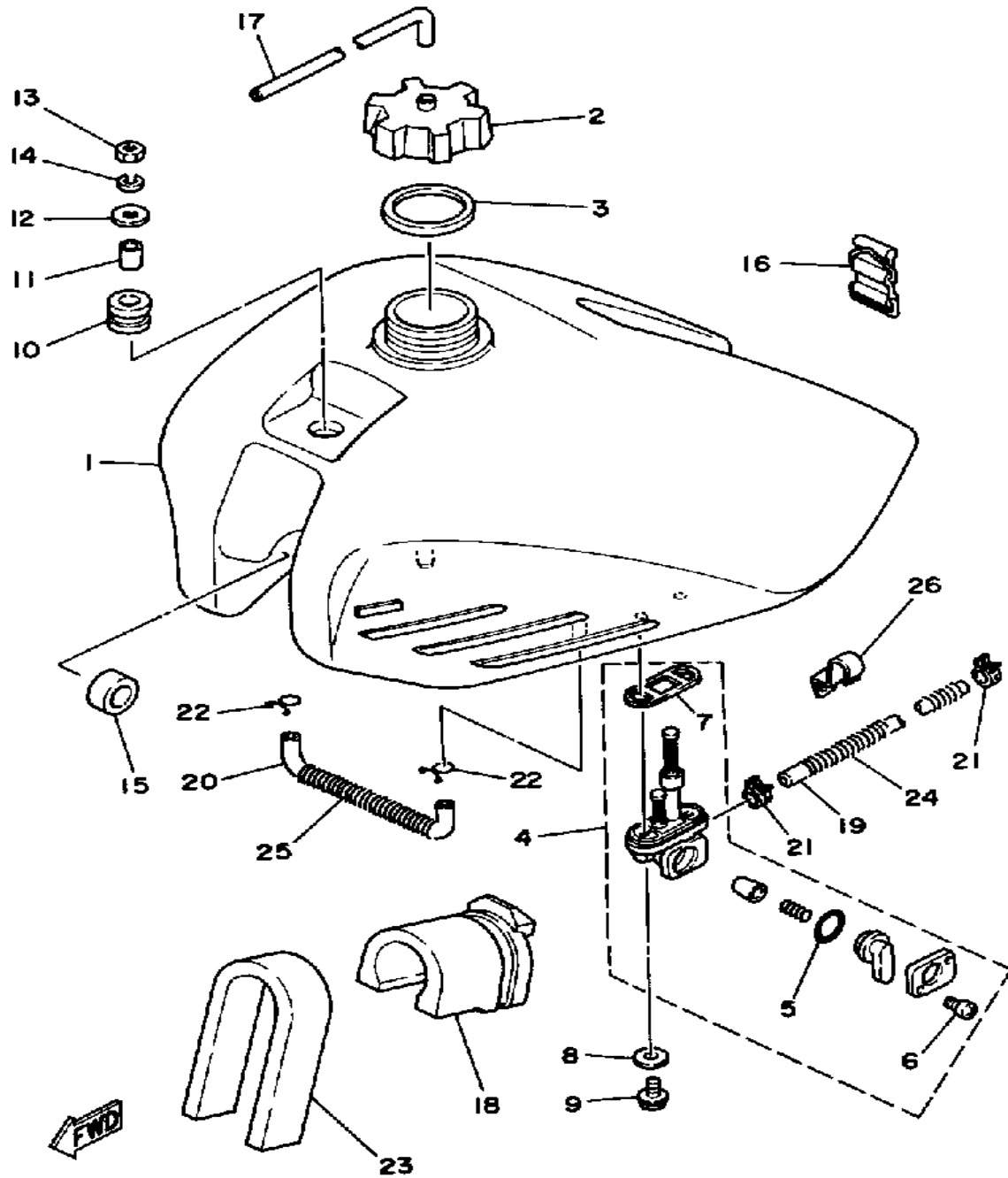
STEERING



21V110-5220

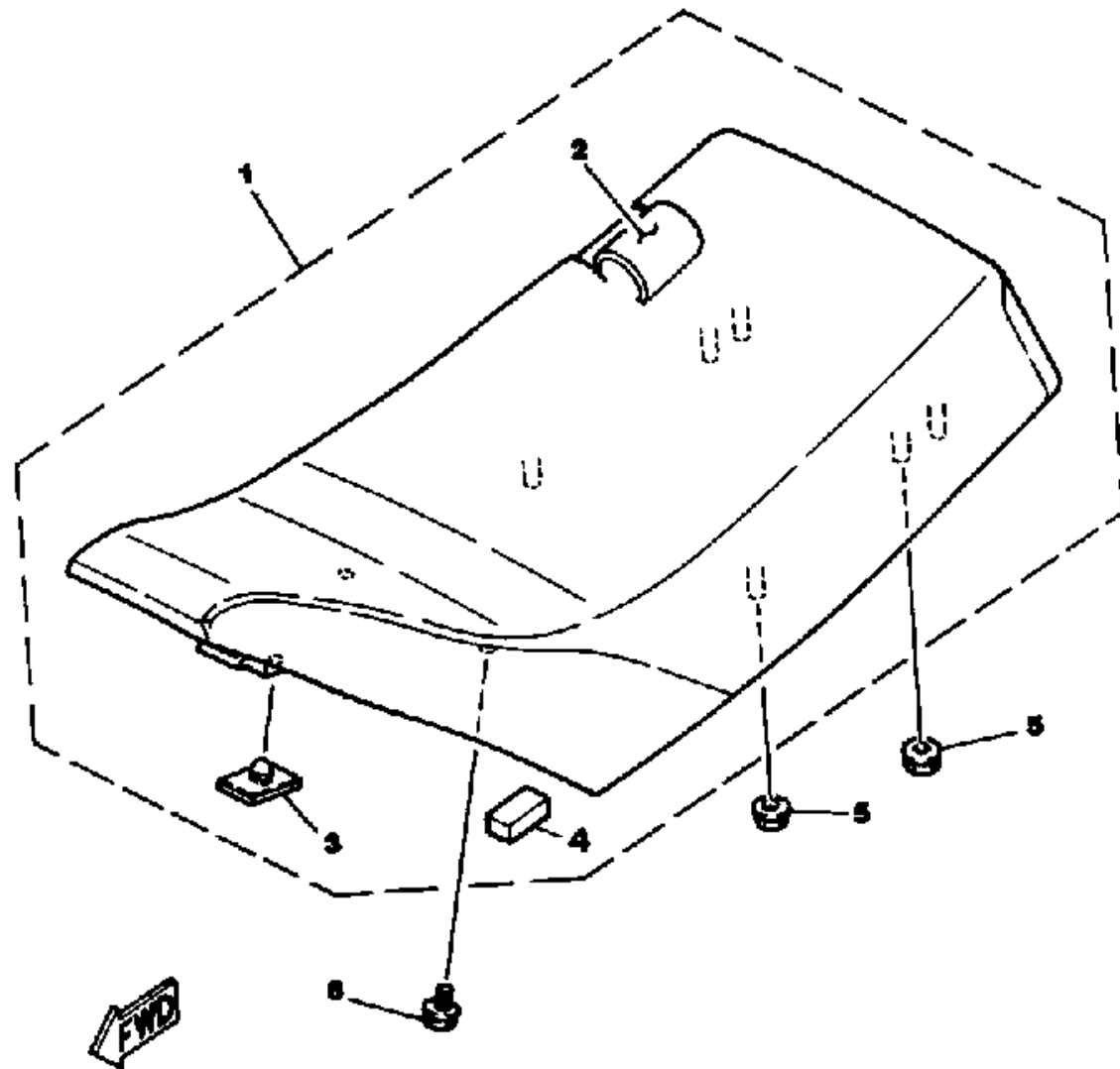
Ref. No.	Part Number	Description	Qty	Remarks
1	164-23462-00-00	SEAL, STEERING	1	
2	156-23411-00-00	RACE, BALL 1	1	
3	156-23412-00-00	RACE, BALL 2	1	
4	93501-04011-00	BALL	19	
5	183-23411-00-00	RACE, BALL 1	1	
6	183-23412-00-00	RACE, BALL 2	1	
7	93501-04011-00	BALL	19	
8	136-23415-00-00	COVER, BALL RACE 1	1	
9	90179-25033-00	NUT	1	
10	90105-14102-00	BOLT, WASHER BASED	1	
11	21V-23435-00-00	CROWN, HANDLE	1	
12	90105-08091-00	BOLT, WASHER BASED	2	
13	1E6-23441-00-00	HOLDER, HANDLE UPPER	2	LOW GLOSS BLK
14	95811-08035-00	BOLT, FLANGE	4	
15	21V-23317-00-00	HOLDER, CABLE	1	
16	21V-23174-00-00	STAY, HEADLIGHT	1	LOW GLOSS BLK
17	97001-08025-00	BOLT (1NV)	2	
18	92990-08100-00	WASHER, SPRING	2	
19	92901-08600-00	WASHER, PLATE	2	
20	3Y1-23319-00-00	HOLDER, CABLE 2	1	
21	98506-06016-00	SCREW, PANHEAD (92506-06016-00)	1	
22	92906-06100-00	WASHER, SPRING	1	
23	92906-06600-00	WASHER	1	
24	21V-23389-00-00	GUIDE, CABLE	1	

FUEL TANK



21V110-3250

Ref. No.	Part Number	Description	Qty	Remarks
1	21V-24111-00-00	FUEL TANK	1	BLACK
2	5X7-24611-01-00	BODY, CAP (5X7-24611-00) ...	1	
3	5X7-24612-00-00	GASKET, CAP	1	
4	21V-24500-10-00	FUEL COCK ASSEMBLY 1 ...	1	
5	4X8-24534-00-00	. SEAL, COCK	1	
6	98580-03008-00	. SCREW, PAN HEAD (98501-03008-00)	2	
7	4X8-24512-00-00	. O-RING	1	
8	90202-05187-00	WASHER, PLATE	2	
9	90149-06011-00	SCREW	2	
10	90480-18290-00	GROMMET	1	
11	90387-07598-00	COLLAR	1	
12	90201-06407-00	WASHER, PLATE	1	
13	95380-06600-00	NUT, HEXAGON	1	
14	92995-06100-00	WASHER, SPRING	1	
15	2J2-24181-00-00	DAMPER, LOCATING 1	2	
16	59V-24173-00-00	BAND, TNK FITTING 1	1	
17	90445-09111-00	HOSE	1	
18	(21V-24181-00-00)	DAMPER, LOCATING 1	1	
19	90445-11696-00	HOSE	1	
20	21V-24331-00-00	PIPE, LEVEL	1	
21	90467-11028-00	CLIP	2	
22	90467-08003-00	CLIP	2	
23	21V-24183-00-00	DAMPER, LOCATING 3	1	
24	90501-08668-00	SPRING, COMPRESSION	1	
25	90501-08410-00	SPRING, COMPRESSION	1	
26	(21V-24135-00-00)	CLAMP 1	1	

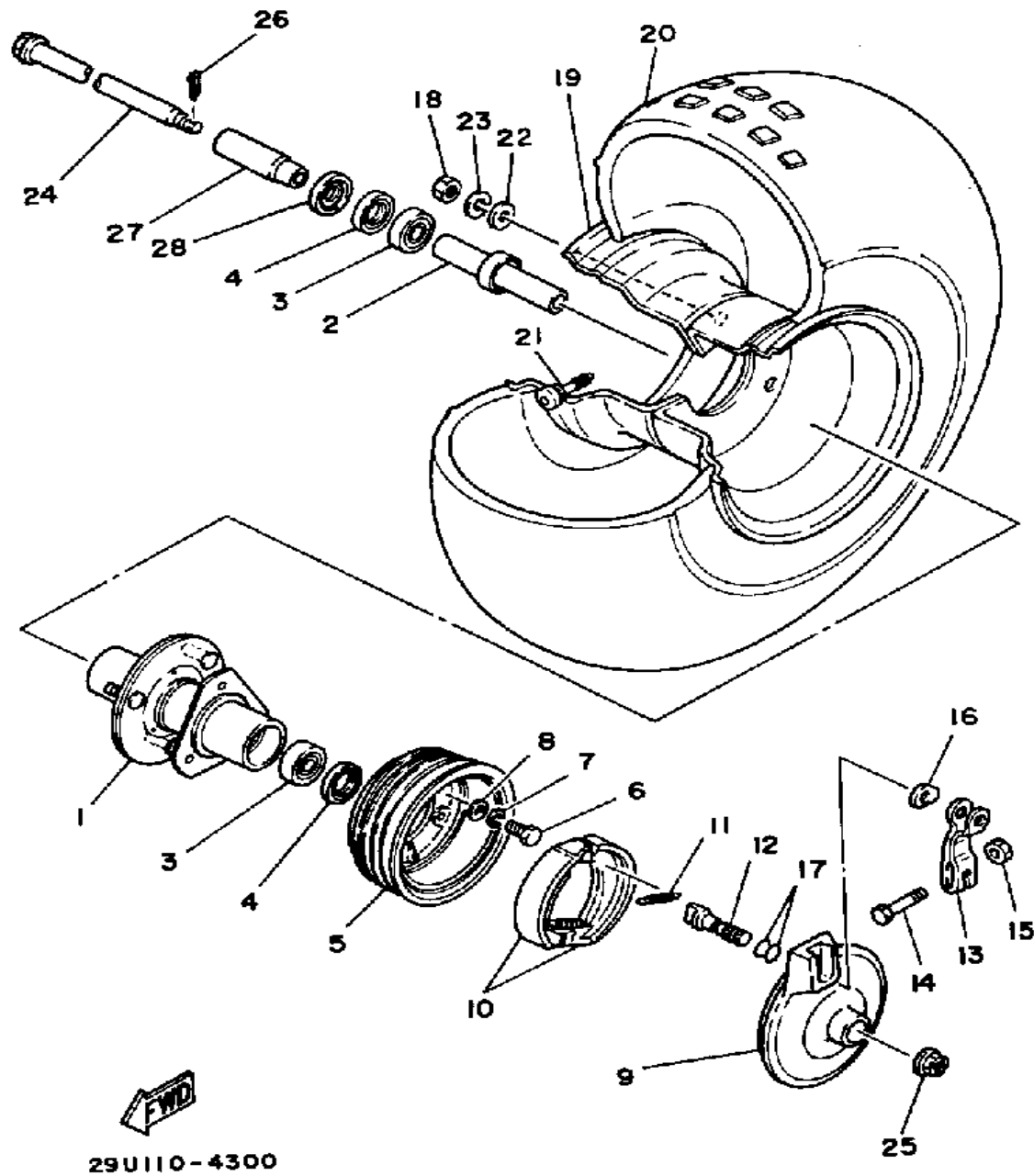


SEAT

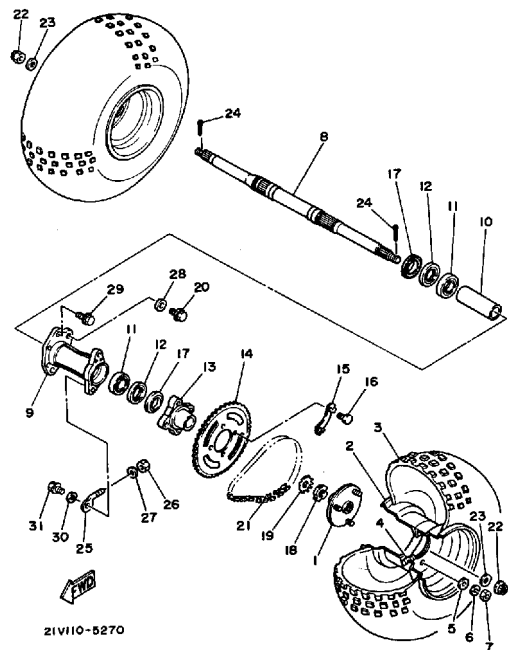
Ref. No.	Part Number	Description	Qty	Remarks
1	21V-24710-00-00	SINGLE SEAT ASSEMBLY ...	1	U.R. BLACK
2	52G-24711-20-00	. COVER, SINGLE SEAT	1	
3	509-24724-00-00	. DAMPER, SEAT	1	
4	21V-21717-00-00	. DAMPER	1	
5	95701-06500-00	NUT, FLANGE	6	
6	90119-06056-00	BOLT, WITH WASHER	2	

21V110-5250

FRONT WHEEL



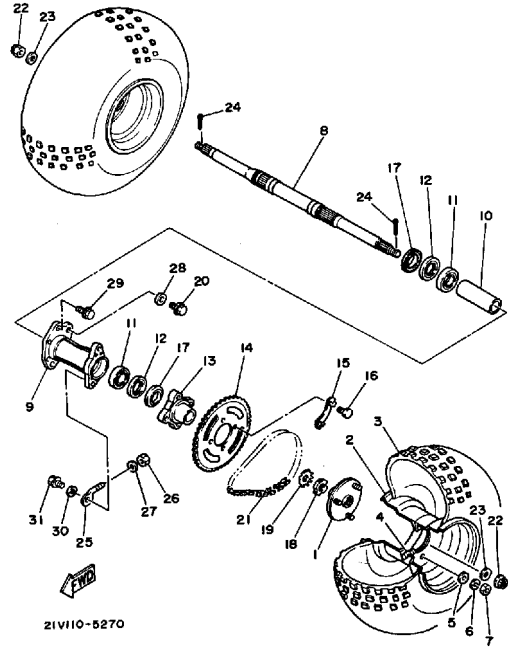
Ref. No.	Part Number	Description	Qty	Remarks
1	29U-25111-00-00	HUB, FRONT	1	
2	29U-25117-00-00	SPACER, BEARING	1	
3	93306-20310-00	BEARING (B6203DU)	2	
4	93102-23252-00	OIL SEAL	2	
5	5V7-2511E-00-00	DRUM, BRAKE	1	
6	97313-08020-00	BOLT, HEXAGON	3	
7	92990-08100-00	WASHER, SPRING	3	
8	92901-08600-00	WASHER, PLATE	3	
9	21V-25121-00-35	PLATE, BRAKE SHOE	1	SILVER
10	5G3-W2536-00-00	BRAKESHOE SET-2PCS	1	
11	90506-15260-00	SPRING, TENSION	2	
12	3Y6-25351-00-00	CAMSHAFT	1	
13	21V-25155-00-00	LEVER, CAMSHAFT 1	1	
14	90101-06278-00	BOLT	1	
15	95380-06600-00	NUT, HEXAGON	1	
16	5V7-2513A-00-00	PLATE, INDICATOR	1	
17	93210-14104-00	O-RING	2	
18	95311-10600-00	NUT	3	
19	29U-25180-00-35	WHEEL, FRONT	1	SILVER
20	94122-11572-00	22X11.00-8 KT221TL	1	DUNLOP
21	93900-00030-00	VALVE, RIM	1	
22	92990-10200-00	WASHER, PLAIN	3	
23	92990-10100-00	WASHER, SPRING	3	
24	21V-25181-00-00	AXLE, WHEEL	1	
25	90171-14020-00	NUT, CASTLE	1	
26	91401-30030-00	PIN, COTTER	1	
27	90387-174G6-00	COLLAR	1	
28	5V6-25118-00-00	COVER, HUB DUST	1	



REAR WHEEL

Ref. No.	Part Number	Description	Qty	Remarks
1	5V7-25383-00-00	COLLAR, WHEEL (3X3-25383-00)	2	
2	29U-25180-00-35	WHEEL, FRONT	2	SILVER
3	94122-11572-00	22X11.00-8 KT221TL	2	DUNLOP
4	93900-00030-00	VALVE, RIM	2	DUNLOP
5	92990-10200-00	WASHER, PLAIN	6	
6	92990-10100-00	WASHER, SPRING	6	
7	95311-10600-00	NUT	6	
8	21V-25381-02-00	AXLE, WHEEL	1	
9	21V-25311-01-00	HUB, REAR	1	
10	90560-40308-00	SPACER (21V) (21V-25317-00)	1	
11	93306-00803-00	BEARING (B6008)	2	
12	93102-46274-00	OIL SEAL, SD-TYPE	2	
13	21V-25521-01-00	BOSS	1	
14	21V-25442-20-00	SPROCKET, DRVN 42T	1	YAMAHA BLACK
15	5H0-25412-00-00	WASHER	2	
16	97011-10016-00	BOLT, HEXAGON	4	
17	21V-25367-00-00	COVER, HUB DUST	2	
18	90179-38392-00	NUT, SPEC'L SHAPE	1	
19	90215-39207-00	WASHER, LOCK	1	
20	90119-10078-00	BOLT, WITH WASHER	3	
21	94581-18060-00	520 D0-60L (94560-47060)	1	
22	90171-14037-00	NUT, CASTLE	2	
23	90201-140A6-00	WASHER, PLATE	2	
24	91401-30030-00	PIN, COTTER	2	
25	21V-25388-00-00	PULLER, CHAIN 1	1	
26	95611-08100-00	NUT, U	1	
27	92901-08600-00	WASHER, PLATE	1	
28	90201-10774-00	WASHER, PLATE	1	

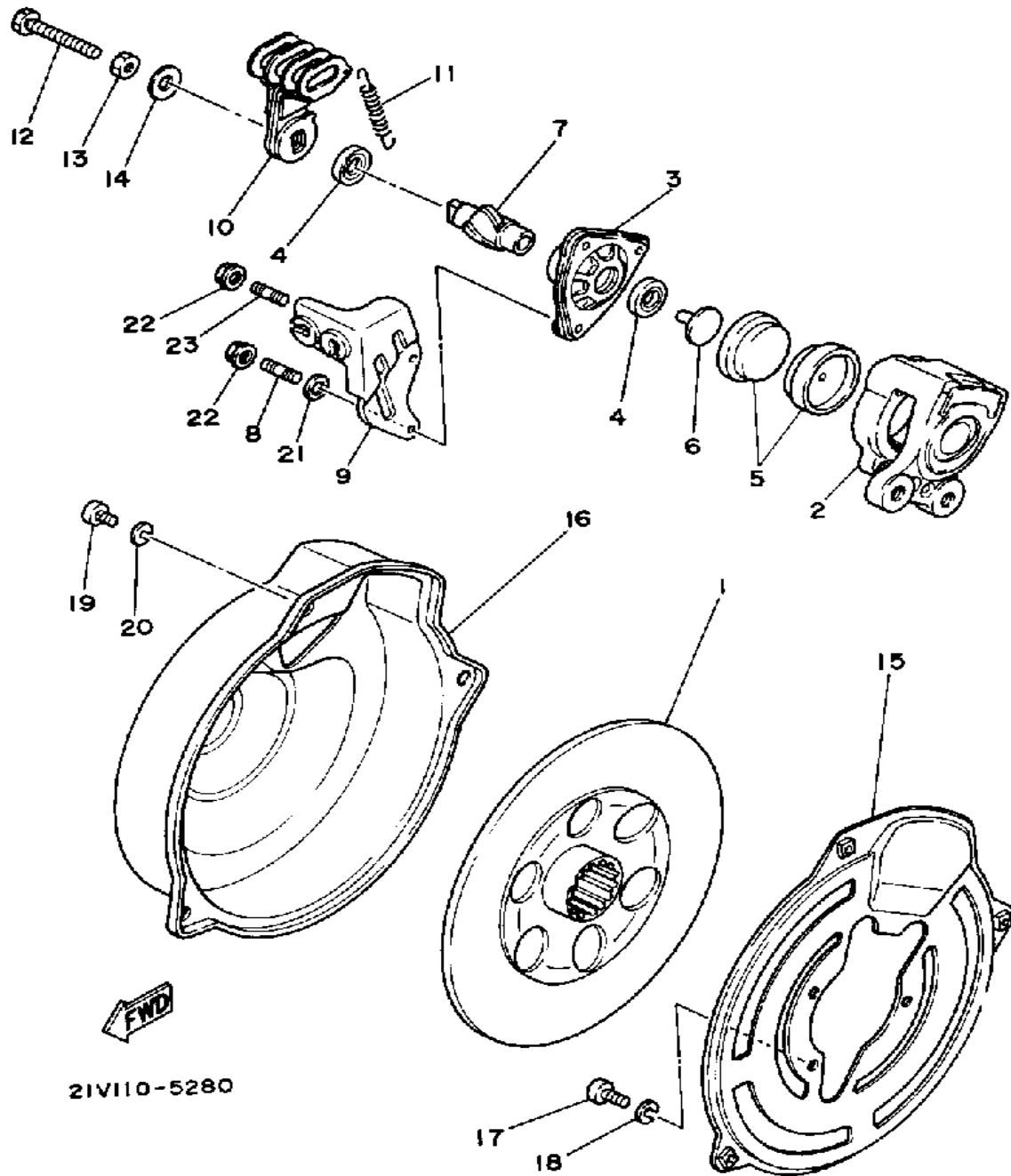
CONTINUED ON NEXT FRAME ►



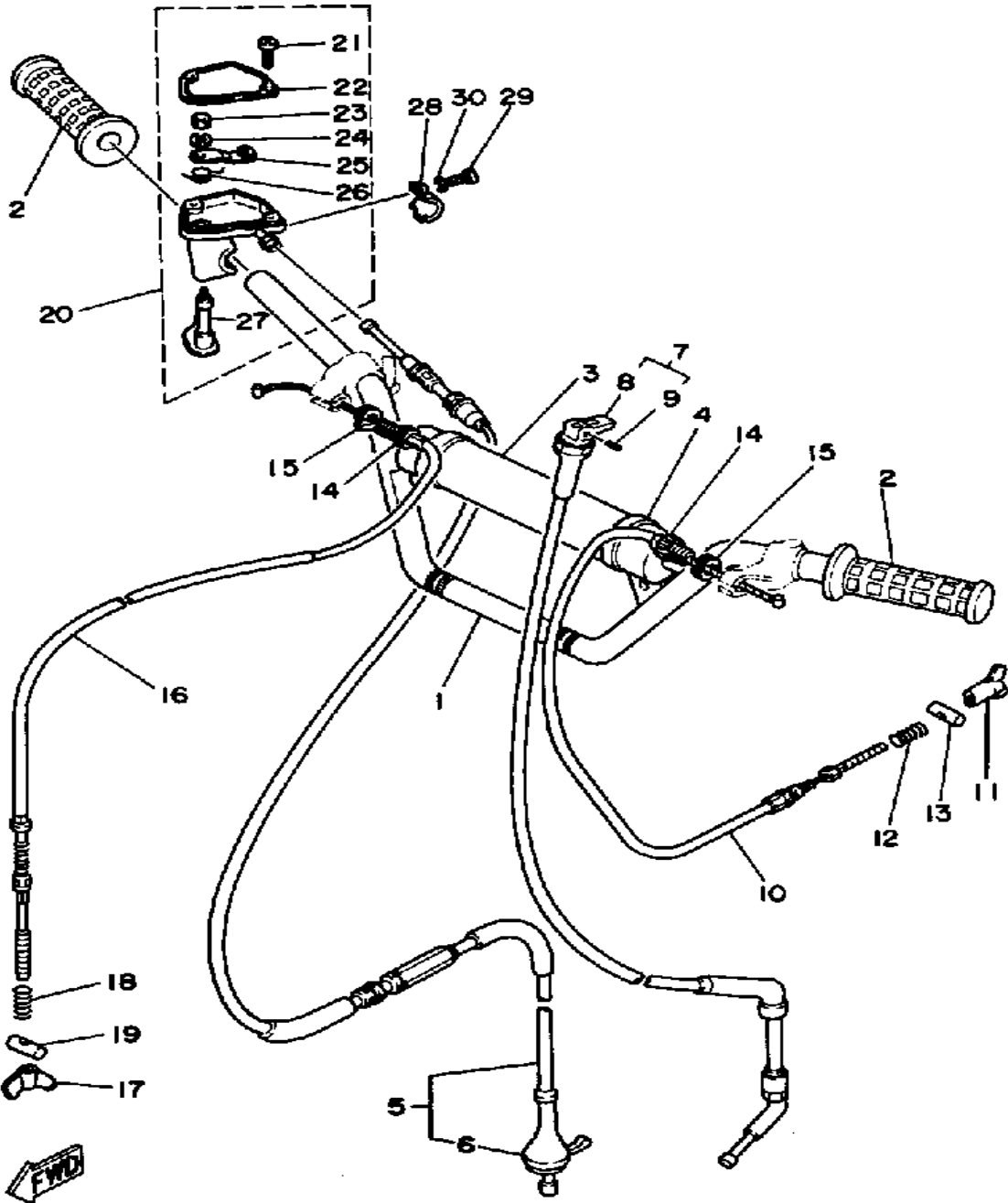
REAR WHEEL

Ref. No.	Part Number	Description	Qty	Remarks
29	90119-10086-00	BOLT, WITH WASHER	1	
30	92990-10200-00	WASHER, PLAIN	4	
31	90119-10087-00	BOLT, WITH WASHER	1	

BRAKE



Ref. No.	Part Number	Description	Qty	Remarks
1	21V-25711-01-00	DISC, BRAKE	1	
2	21V-25731-00-00	BODY, CALIPER 1	1	
3	21V-25741-02-00	BODY, CALIPER 2 (21V-25741-01)	1	
4	93102-15212-00	OIL SEAL	2	
5	2HR-W0045-00-00	BRAKE PAD KIT, FRT	2	
6	5V6-25733-00-00	PLATE, BACK UP	1	
7	21V-25728-01-00	CAM	1	
8	90116-06475-00	BOLT, STUD	1	
9	52H-26381-00-00	HOLDER, ADJUSTING	1	
10	21V-25726-01-00	LEVER, BRAKE	1	
11	90506-16215-00	SPRING, TENSION	1	
12	90101-08536-00	BOLT	1	
13	95333-08600-00	NUT	1	
14	90201-08730-00	WASHER, PLATE	1	
15	21V-25715-00-00	COVER 1	1	
16	21V-25716-00-00	COVER 2	1	
17	98580-06012-00	SCREW, PAN HEAD (92501-06012-00)	3	
18	92995-06100-00	WASHER, SPRING	3	
19	98580-06010-00	SCREW, PAN HEAD	3	
20	92995-06100-00	WASHER, SPRING	3	
21	92990-06200-00	WASHER, PLAIN	1	
22	95701-06500-00	NUT, FLANGE	3	
23	95612-06625-00	BOLT, STUD	2	



21V110-4300

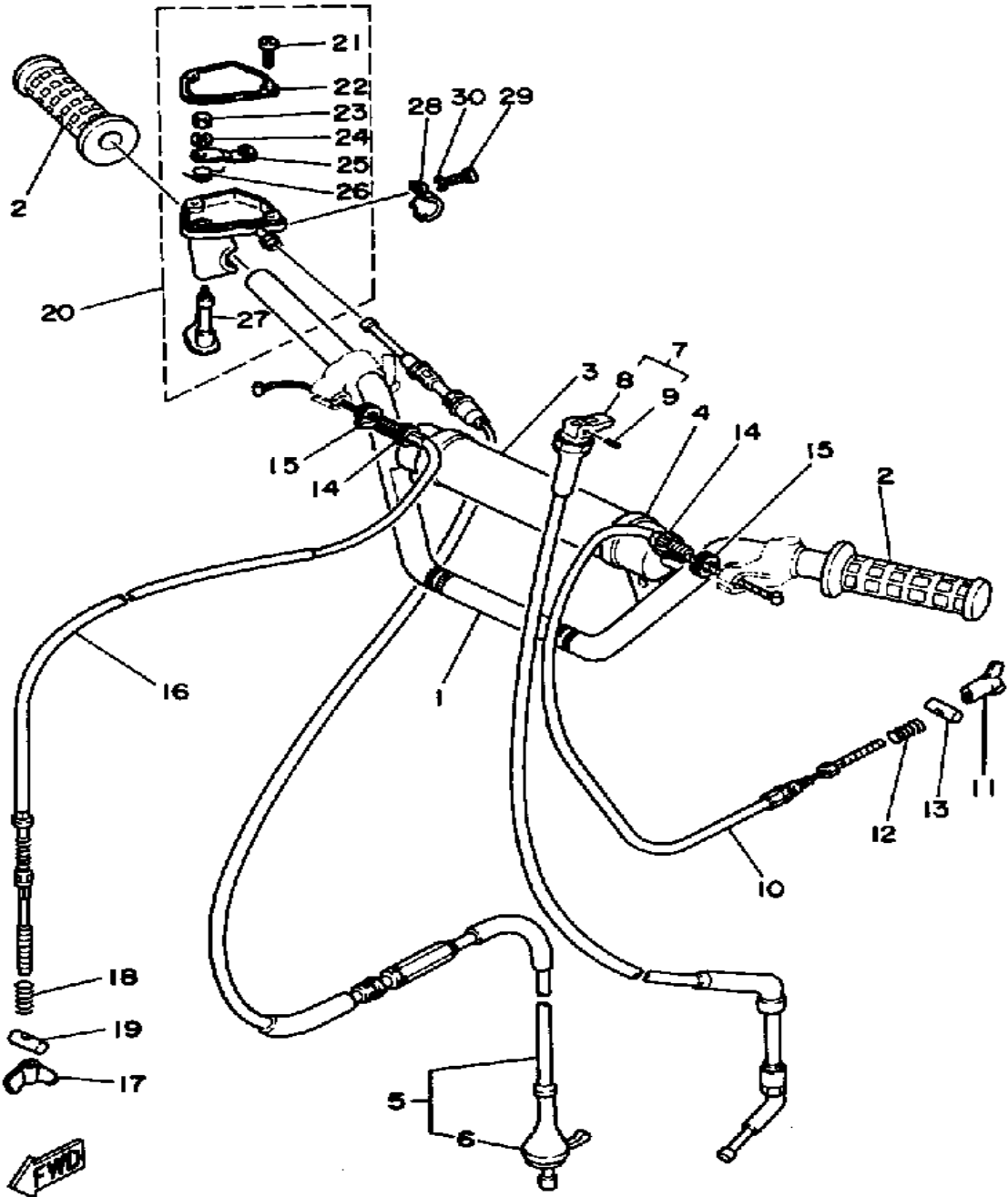
HANDLEBAR-CABLE

Ref. No.	Part Number	Description	Qty	Remarks
1	29U-26111-01-00	HANDLEBAR	1	
2	3GB-26241-00-00	GRIP (LEFT)	2	
3	21V-26124-00-00	PROTECTOR, HDLBR	1	
4	437-83936-11-00	BAND, SWITCH CORD	2	
5	21V-26311-00-00	CABLE, THROTTLE 1	1	
6	21V-26329-00-00	. CAP, RUBBER	1	
7	21V-26331-02-00	CABLE, STARTER 1	1	
8	21V-26374-00-00	. END, CABLE 3	1	
9	91609-30010-00	. PIN, SPRING	1	
10	21V-26341-00-00	CABLE, BRAKE	1	
11	20E-26343-00-00	NUT, ADJUSTING	1	
12	90501-10782-00	SPRING, COMPRESSION	1	
13	90249-12008-00	PIN	1	
14	90123-08046-00	BOLT	2	
15	90179-08148-00	NUT	2	
16	21V-26373-00-00	CABLE, BRAKE 4	1	
17	90179-06411-00	NUT, SPECIAL SHAPE	1	
18	90501-10782-00	SPRING, COMPRESSION	1	
19	90249-12008-00	PIN	1	
20	21V-26250-01-00	THROTTLE LEVER ASSEMBLY	1	
21	98506-05010-00	. SCREW, PAN HEAD	2	
22	21V-2628F-00-00	. CAP, GEAR	1	
23	95380-05600-00	. NUT	1	
24	92990-05100-00	. WASHER, SPRING	1	
25	21V-2625H-00-00	. ARM, THROTTLE	1	
26	90508-10597-00	. SPRING, TORSION	1	
27	21V-2625G-01-00	. LEVER, THROTTLE	1	
28	38V-82913-00-00	HOLDER, LEVER LOWER 1 ...	1	
29	98506-05018-00	SCREW, PAN HEAD	2	

CONTINUED ON NEXT FRAME ►

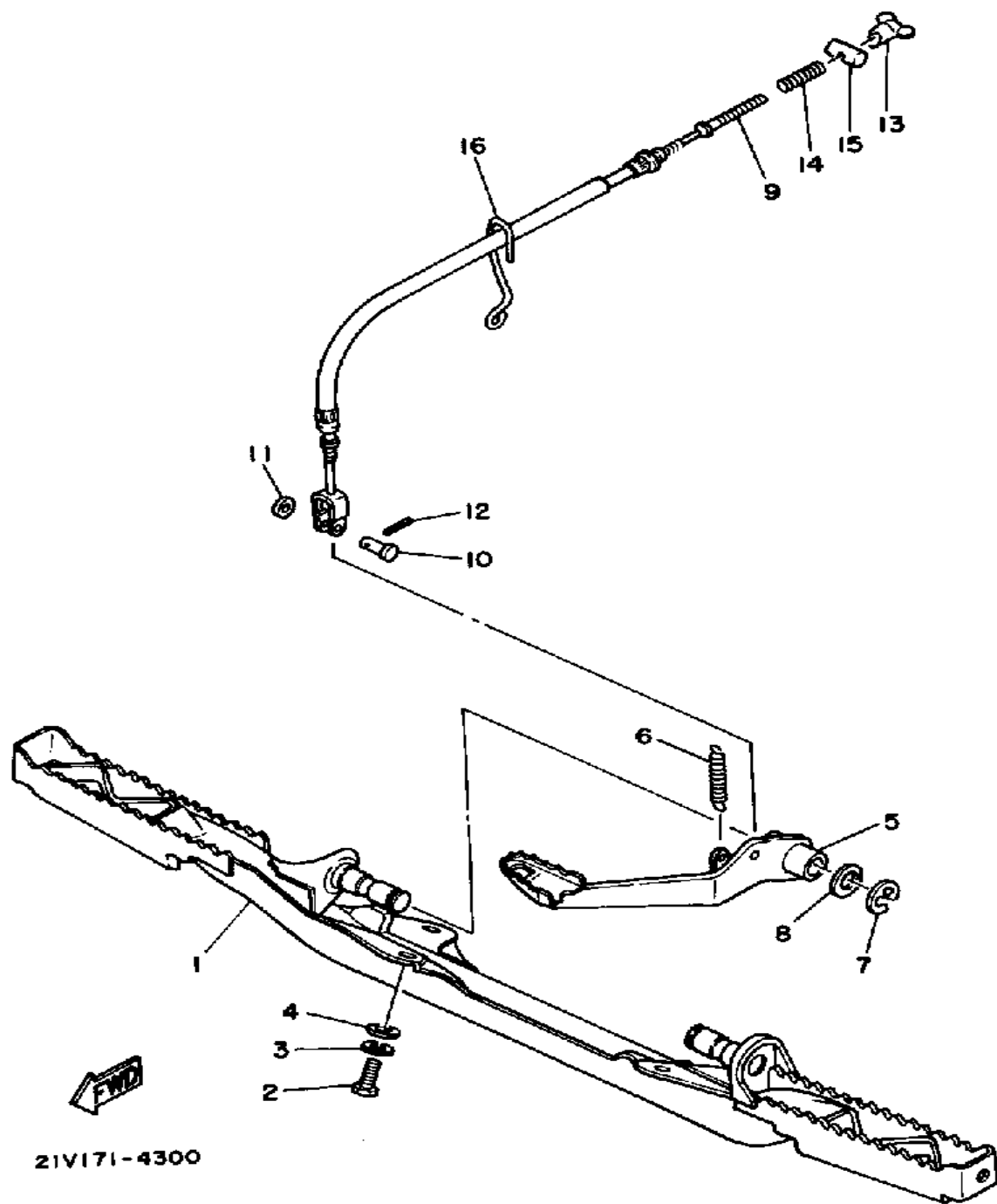
HANDLEBAR-CABLE

Ref. No.	Part Number	Description	Qty	Remarks
30	92906-05100-00	WASHER, SPRING	2	



21V110-4300

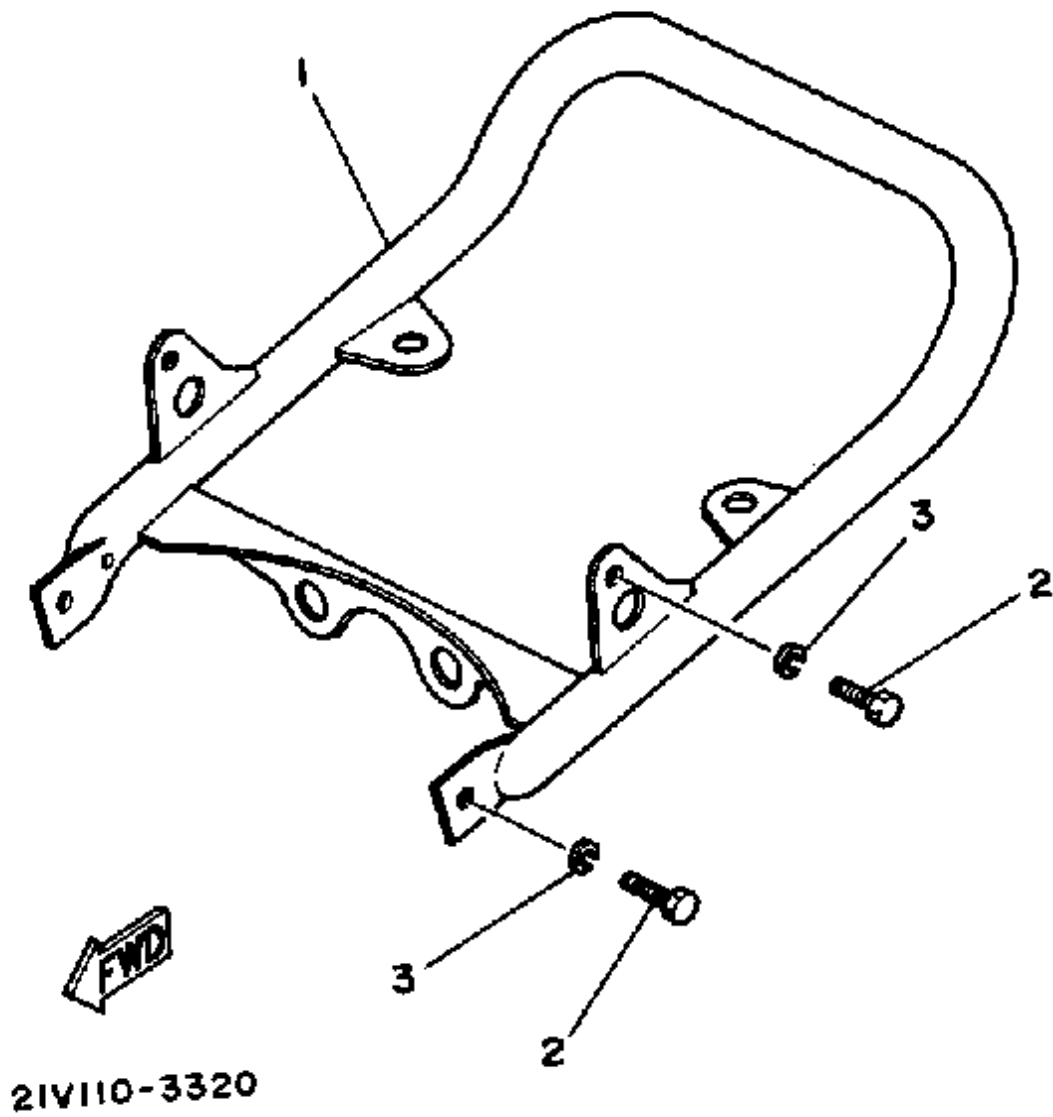
STAND-FOOTREST



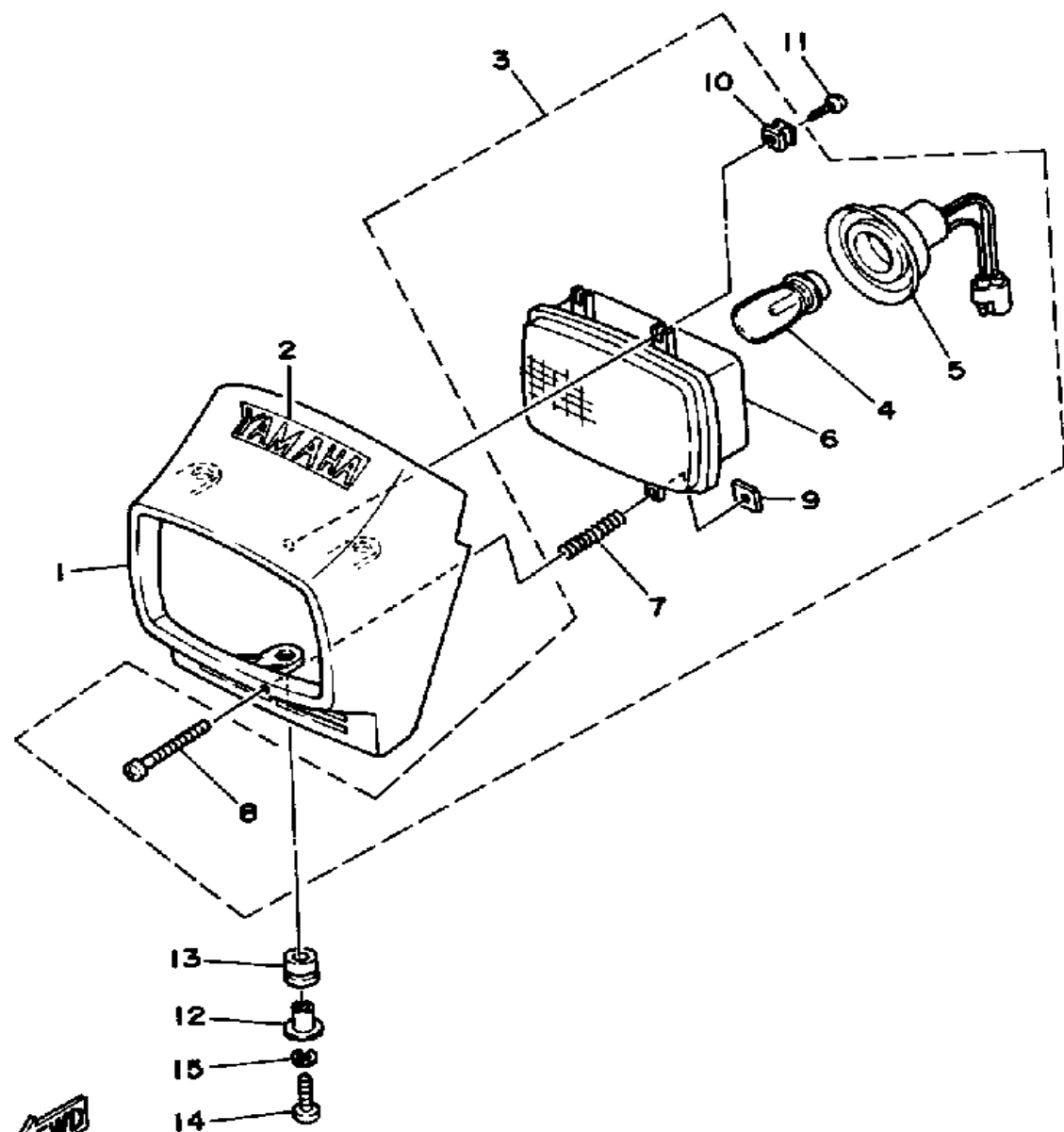
Ref. No.	Part Number	Description	Qty	Remarks
1	21V-27411-10-00	FOOTREST 1	1	
2	97313-08020-00	BOLT, HEXAGON	4	
3	92990-08100-00	WASHER, SPRING	4	
4	90201-08100-00	WASHER, PLATE	4	
5	21V-27211-02-00	PEDAL, BRAKE	1	
6	90506-16215-00	SPRING, TENSION	1	
7	93430-12008-00	CIRCLIP	1	
8	90201-15797-00	WASHER, PLATE	1	
9	24W-26351-00-00	CABLE, BRAKE	1	
10	90240-06076-00	PIN, CLEVIS	1	
11	92990-06200-00	WASHER, PLAIN	1	
12	91490-20020-00	PIN, COTTER (91401-20020-00)	1	
13	20E-26343-00-00	NUT, ADJUSTING	1	
14	90501-10782-00	SPRING, COMPRESSION	1	
15	90249-12008-00	PIN	1	
16	21V-26399-00-00	GUIDE, CABLE	1	

GUARD

Ref. No.	Part Number	Description	Qty	Remarks
1	21V-28421-10-00	BUMPER, REAR 1	1	
2	97313-08020-00	BOLT, HEXAGON	4	
3	92990-08100-00	WASHER, SPRING	4	



HEADLIGHT

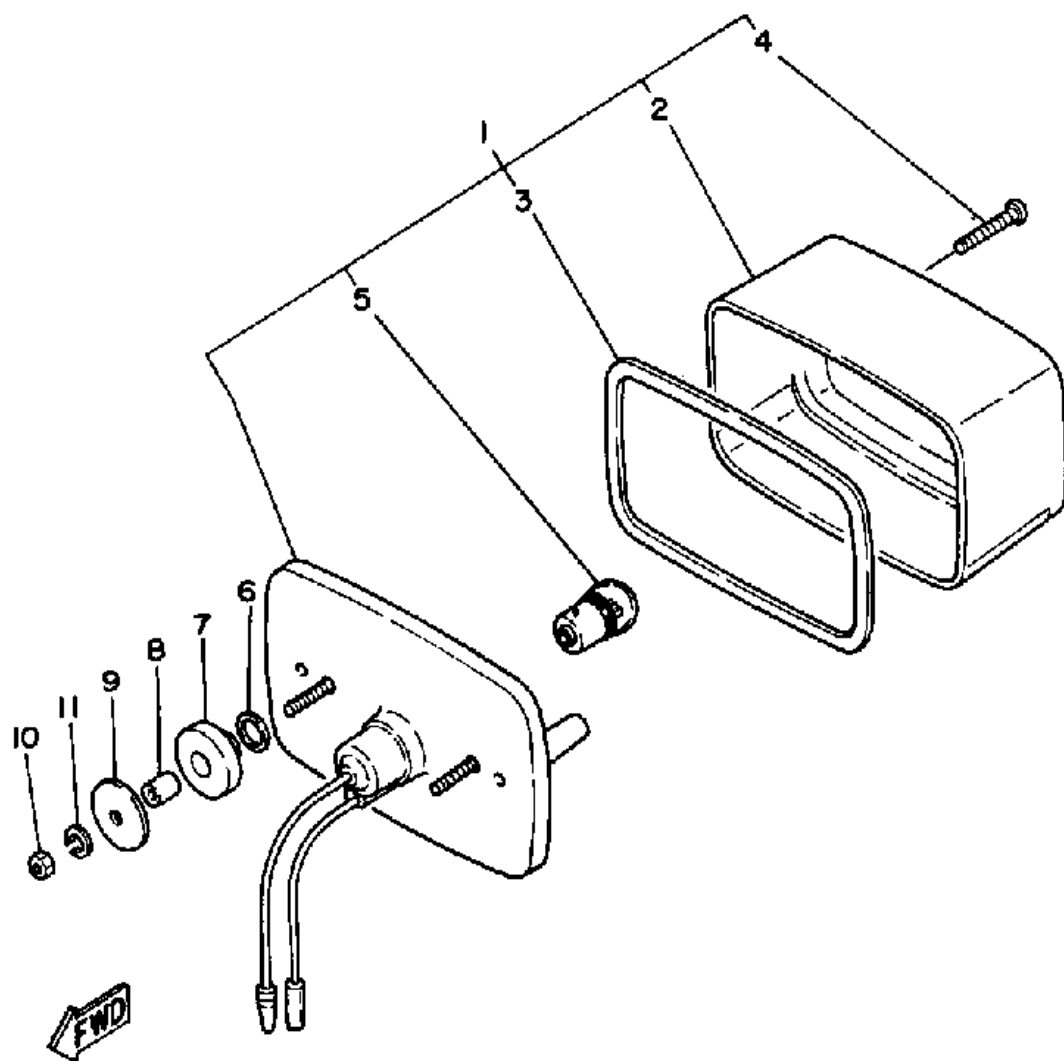


21V110-3330

Ref. No.	Part Number	Description	Qty	Remarks
1	21V-84311-00-00	BODY, HEADLIGHT	1	U.R. COMP YEL
	21V-84311-50-00	BODY, HEADLIGHT	1	U.R. SKY BLUE
2	21V-23395-40-00	EMBLEM	1	U.R. FOR CPY
	21V-23395-50-00	EMBLEM	1	U.R. FOR SYB
3	(21V-84310-00-00)	HEADLIGHT UNIT ASSEMBLY .	1	
4	21V-84314-00-00	. BULB, HEAD LIGHT (12V-45/45W)	1	
5	21V-84312-00-00	. SOCKET	1	
6	21V-84320-00-00	. LENS ASSEMBLY	1	
7	21V-84335-00-00	. SPRING	1	
8	1M1-84524-60-00	. SCREW, LENS FITTING	1	
9	21V-84334-00-00	. NUT, ADJUSTING	1	
10	21V-84316-00-00	. NUT, BODY FITTING	2	
11	97702-40614-00	SCREW, TAPPING	2	
12	90387-060G8-00	COLLAR	3	
13	90480-14412-00	GROMMET	3	
14	98580-06030-00	SCREW PAN HEAD	3	
15	92995-06100-00	WASHER, SPRING	3	

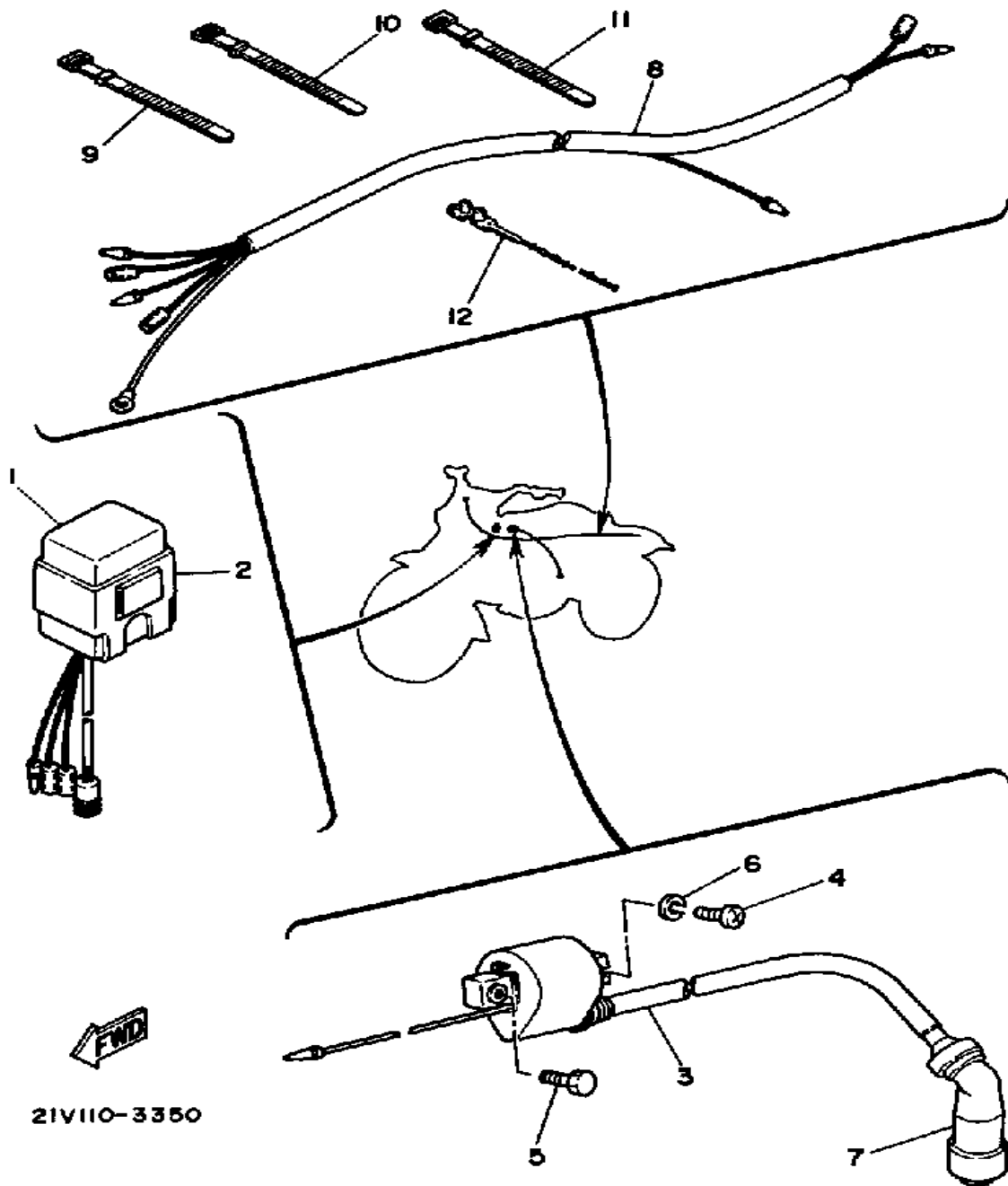
TAILLIGHT

Ref. No.	Part Number	Description	Qty	Remarks
1	52H-84710-00-00	TAILLIGHT UNIT ASSEMBLY ..	1	
2	21V-84721-00-00	. LENS, TAILLIGHT	1	
3	1K8-84523-00-00	. GASKET, LENS	1	
4	97780-40130-00	. SCREW, TAPPING	2	
5	3GD-84714-00-00	. BULB (12V-7.5W)	1	
6	90202-14077-00	WASHER, PLATE	2	
7	90480-14088-00	GROMMET	2	
8	90560-07007-00	SPACER	2	
9	90201-06074-00	WASHER, PLATE	2	
10	95380-06600-00	NUT, HEXAGON	2	
11	92995-06100-00	WASHER, SPRING	2	

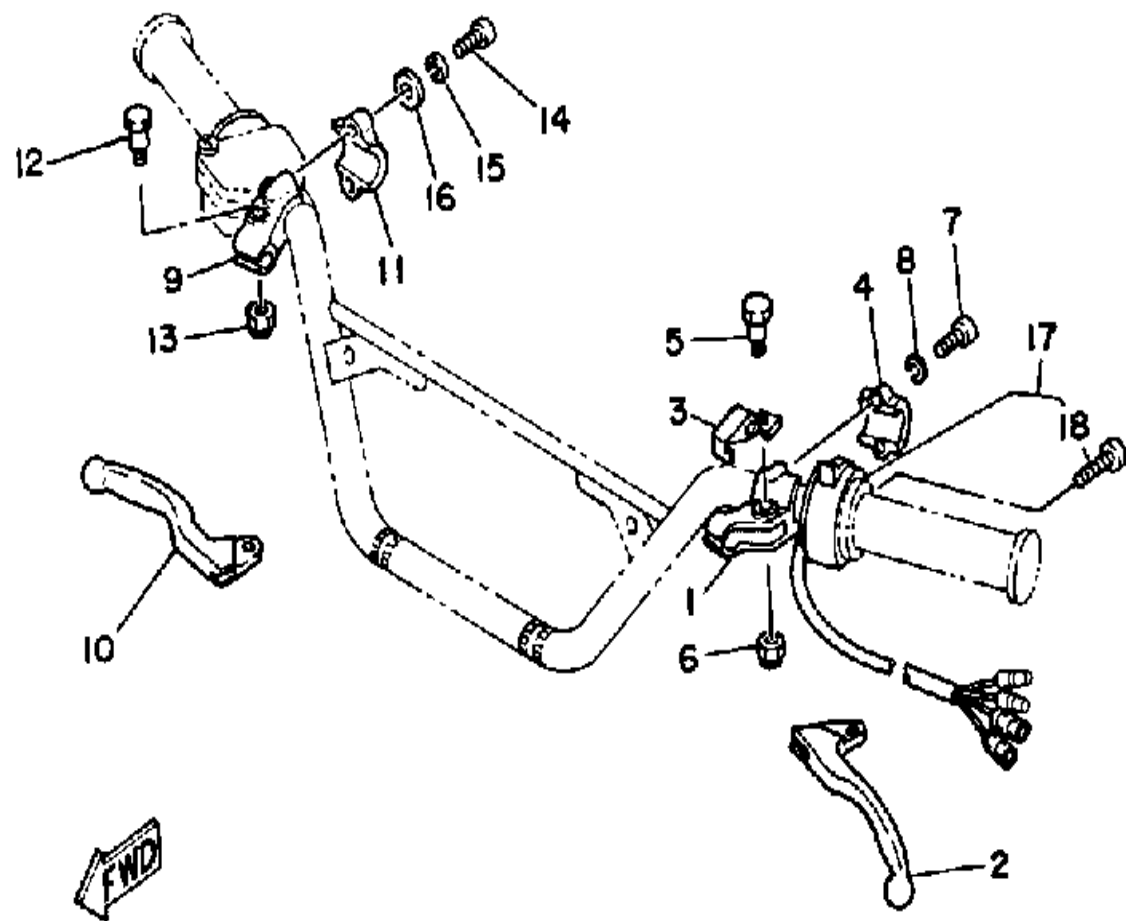


21V110-5340

ELECTRICAL 1



Ref. No.	Part Number	Description	Qty	Remarks
1	21V-85540-20-00	CDI UNIT ASSEMBLY	1	
2	2A7-85546-00-00	BAND	1	
3	1UY-82310-41-00	IGNITION COIL ASSEMBLY ...	1	
4	90109-06723-00	BOLT	1	
5	97023-06020-00	BOLT (3XF) (97302-06020)	1	
6	92995-06100-00	WASHER, SPRING	1	
7	1UY-82370-20-00	PLUG CAP ASSY	1	
8	21V-82590-00-00	WIRE HARNESS ASSEMBLY ..	1	
9	437-83936-01-00	BAND, SWITCH CORD	3	
10	437-83936-11-00	BAND, SWITCH CORD	3	
11	437-83936-11-00	BAND, SWITCH CORD	2	
12	90464-20031-00	CLAMP	1	



21V110-3360

HANDLE SWITCH-LEVER

Ref. No.	Part Number	Description	Qty	Remarks
1	5F6-82911-00-00	HOLDER, LEVER 1	1	
2	23X-83912-00-00	LEVER L	1	
3	3X3-83965-00-00	LEVER, LOCK	1	
4	4V4-82913-00-00	HOLDER, LEVER LOWER 1	1	
5	2H7-83945-00-00	BOLT, LEVER	1	
6	95601-06100-00	NUT, U	1	
7	98506-05020-00	SCREW, PAN HEAD	2	
8	92906-05100-00	WASHER, SPRING	2	
9	38V-82921-00-00	HOLDER, LEVER 2	1	
10	23X-83922-00-00	LEVER 2	1	
11	4V4-82913-00-00	HOLDER, LEVER LOWER 1	1	
12	90109-06797-00	BOLT	1	
13	95601-06100-00	NUT, U	1	
14	98506-05020-00	SCREW, PAN HEAD	2	
15	92906-05100-00	WASHER, SPRING	2	
16	90201-08083-00	WASHER, PLATE	1	
17	21V-83975-09-00	SWITCH, HANDLE 2	1	
18	98506-05030-00	SCREW, PAN HEAD	2	