

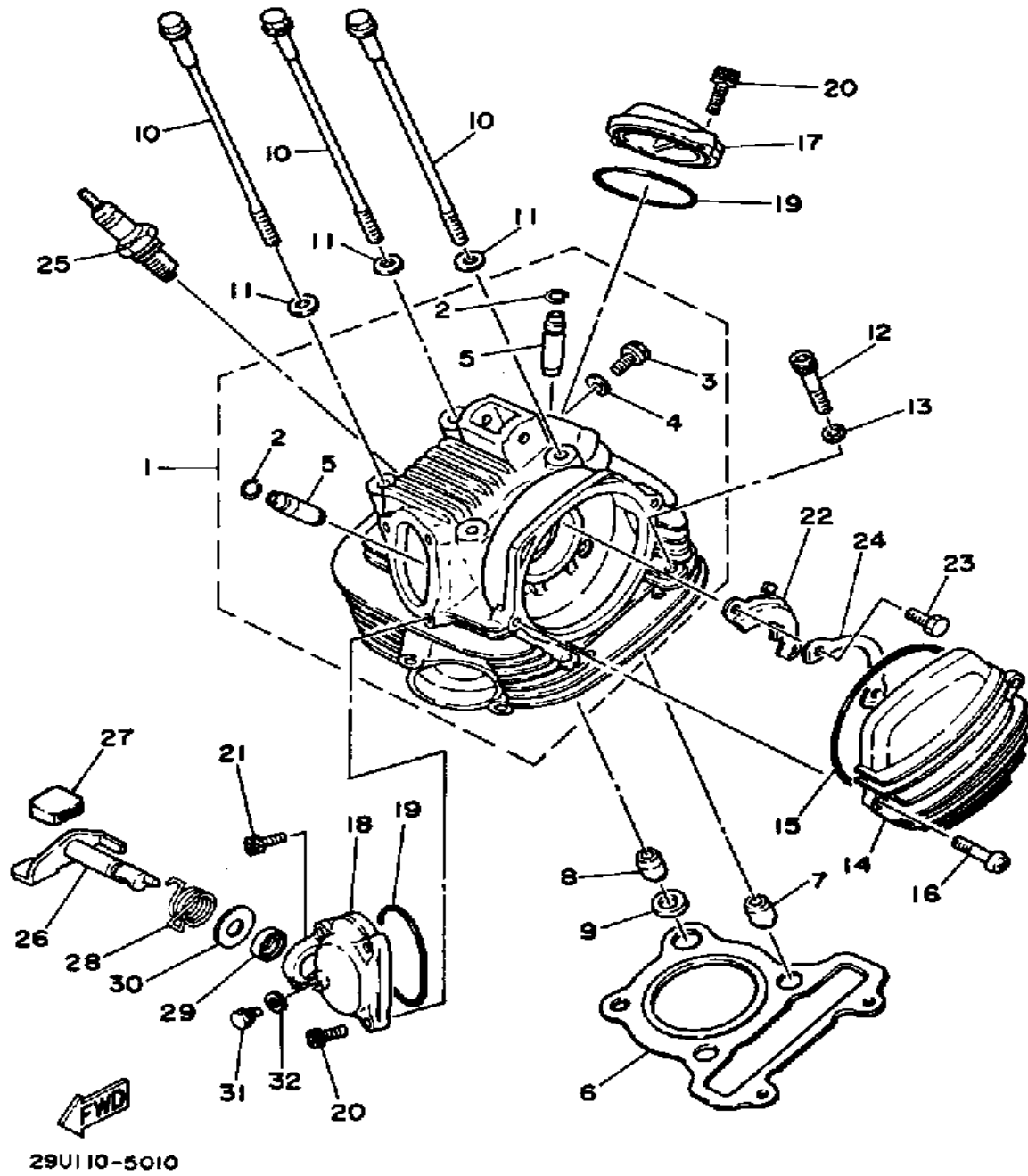
**YAMAHA**

**GENUINE**

**PARTS CATALOGUE**

**ALL TERRAIN VEHICLE**

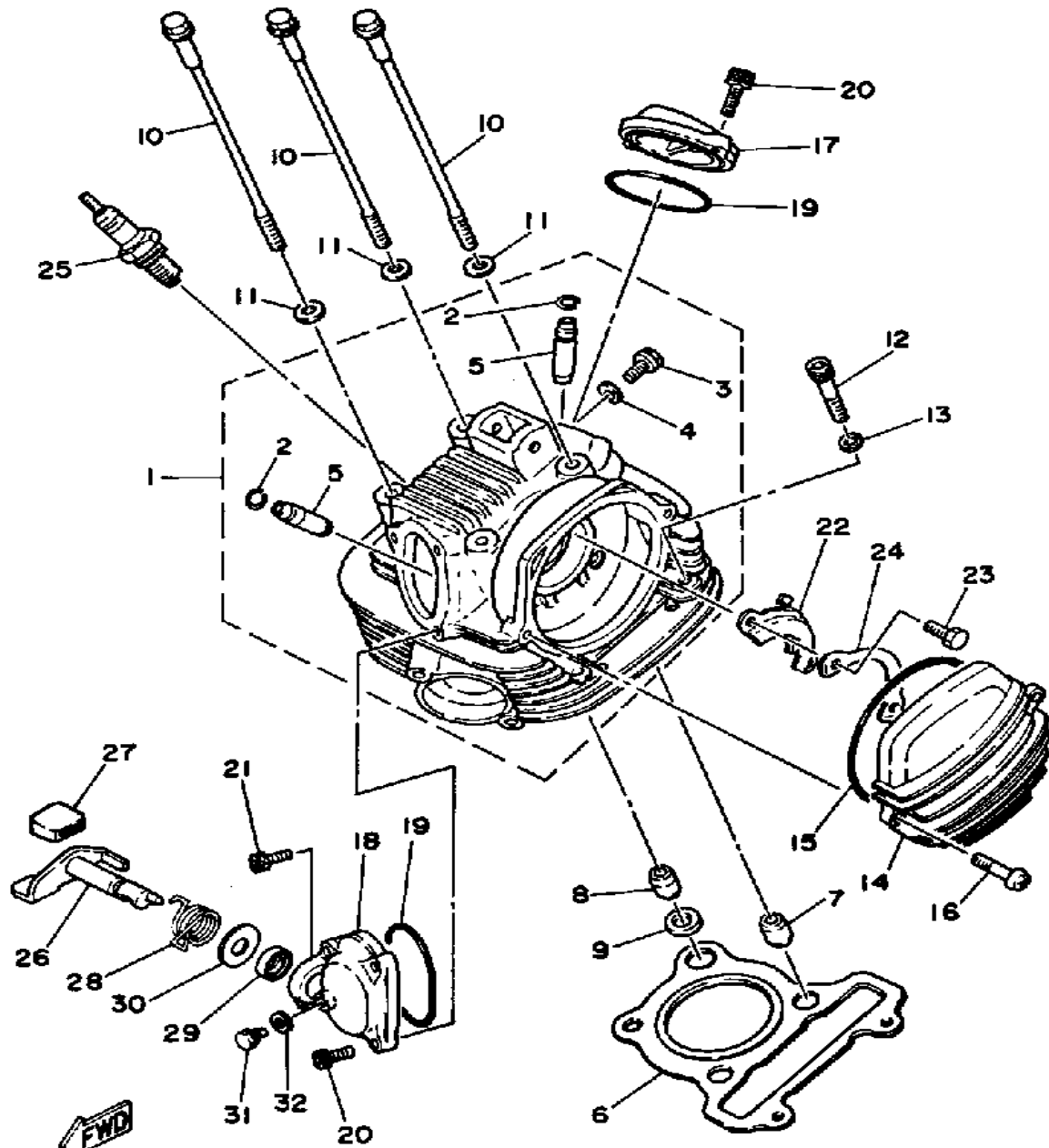
# CYLINDER HEAD



Ref. No.	Part Number	Description	Qty	Remarks
1	15A-11110-01-00	CYLINDER HEAD ASSEMBLY	1	
2	93440-10085-00	. CIRCLIP	2	
3	90153-06045-00	. SCREW, HEXAGON	1	
4	90430-06014-00	. GASKET	1	
5	5H0-11133-10-00	. GDE, INTK VLV 1 O/S	2	
6	59V-11181-00-00	GASKET, CYLINDER HEAD 1	1	
7	99530-14016-00	PIN, DOWEL	2	
8	99510-12016-00	PIN, DOWEL	1	
9	90430-12186-00	GASKET	1	
10	90105-08195-00	BOLT, WASHER BASED	4	
11	90201-080L7-00	WASHER, PLATE	4	
12	91316-08045-00	BOLT, SOCKET HEAD	2	
13	90201-087K2-00	WASHER, PLATE	2	
14	15A-11185-00-00	COVER, CYLINDER HEAD SIDE 1	1	
15	93211-05471-00	O-RING	1	
16	98516-06020-00	SCREW, PAN HEAD	2	
17	15A-11186-00-00	COVER, CYLINDER HEAD SIDE 2	1	
18	21V-11187-01-00	COVER, CYLINDER HEAD 3SIDE 3	1	
19	93210-57634-00	O-RING	2	
20	91316-06018-00	BOLT, SOCKET HEAD	4	
21	90109-06717-00	BOLT	1	
22	5H0-1111F-00-00	PLATE	1	
23	97013-06012-00	BOLT	2	
24	90215-06184-00	WASHER, LOCK	1	
25	NGK-D7EA0-00-00	PLUG, SPARK (NGK D7EA)	1	U.R.
26	24W-12288-00-00	CAM, DCOMP	1	
27	24W-12275-00-00	COVER, DECOM.LEVER	1	

CONTINUED ON NEXT FRAME ►

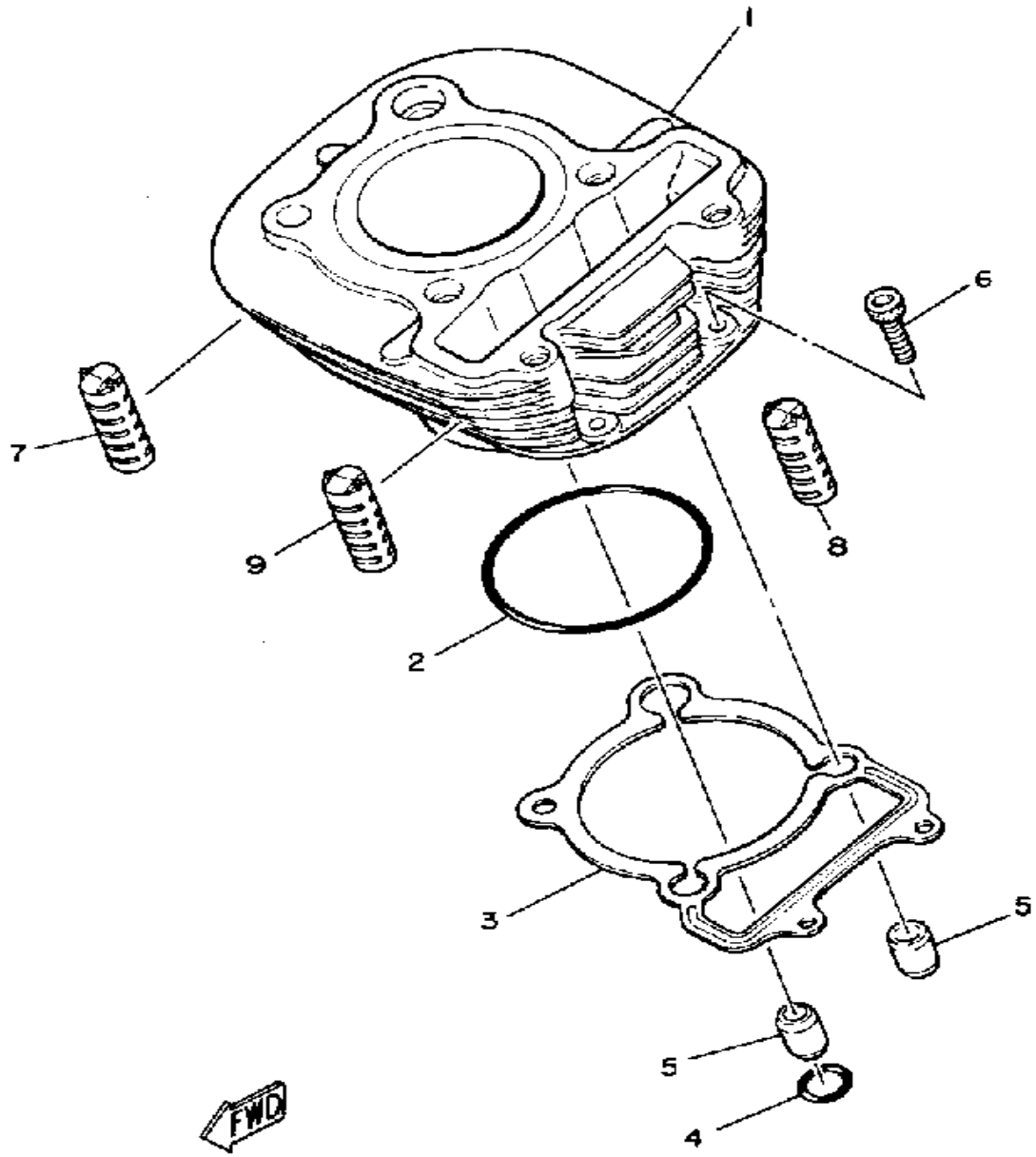
# CYLINDER HEAD



Ref. No.	Part Number	Description	Qty	Remarks
28	90508-12610-00	SPRING, TORSION .....	1	
29	93102-12321-00	OIL SEAL, SD-TYPE .....	1	
30	90201-12588-00	WASHER, PLATE .....	1	
31	90109-06418-00	BOLT .....	1	
32	90430-06014-00	GASKET .....	1	

29U110-5010

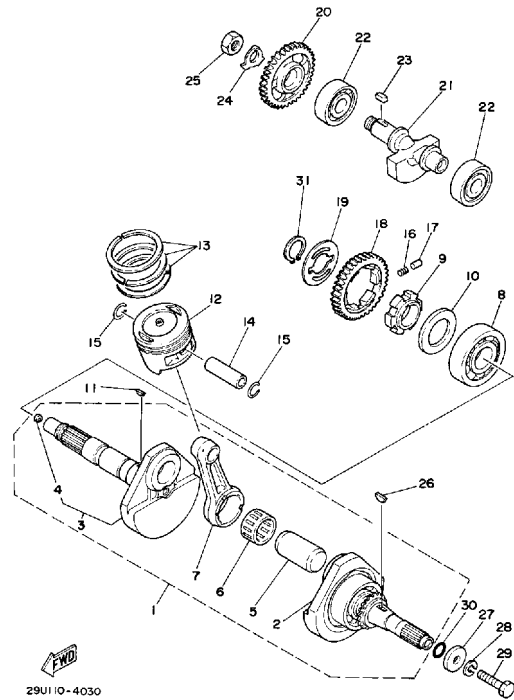
# CYLINDER



29U110-4020

Ref. No.	Part Number	Description	Qty	Remarks
1	29U-11310-03-00	CYLINDER (29U-11310-01) . . . .	1	
2	93210-71470-00	O-RING (93210-72529-00) . . . . .	1	
3	4BD-11351-00-00	GASKET, CYLINDER . . . . .	1	
4	93210-13361-00	O-RING . . . . .	1	
5	99530-14016-00	PIN, DOWEL . . . . .	2	
6	91316-06025-00	BOLT . . . . .	2	
7	15A-11162-00-00	ABSORBER 2 . . . . .	2	
8	5H0-11161-00-00	ABSORBER 1 . . . . .	2	
9	15A-11162-00-00	ABSORBER 2 . . . . .	1	

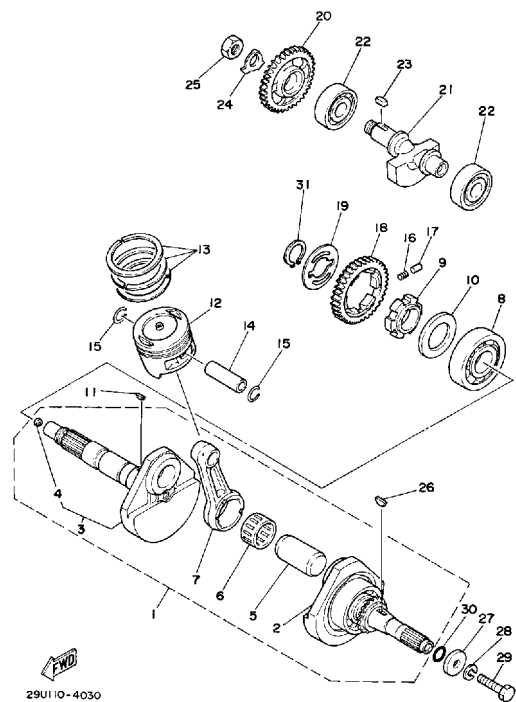
# CRANKSHAFT - PISTON



Ref. No.	Part Number	Description	Qty	Remarks
1	99999-01954-00	CRANKSHAFT ASSEMBLY . . .	1	
2	29U-W1141-00-00	. CRANK 1 . . . . .	1	
3	29U-11422-00-00	. CRANK 2 . . . . .	1	
4	90331-09041-00	. . PLUG . . . . .	1	
5	5H0-11681-00-00	. PIN, CRANK 1 . . . . .	1	
6	93310-530J3-00	. BEARING . . . . .	1	
7	29U-11651-00-00	. ROD, CONNECTING . . . . .	1	
8	93306-30615-00	BEARING (B6306) . . . . .	1	
9	59V-11496-00-00	BOSS, BUFFER (21V-11496-00)	1	
10	90201-406F4-00	WASHER, PLATE . . . . .	1	
11	90280-03017-00	KEY, WOODRUFF . . . . .	1	
12	29U-11631-00-Y0	PISTON STD . . . . .	1	
	29U-11636-00-00	PISTON 2 O/S 0. 0 . . . . .	1	ALT. PART
	29U-11638-00-00	PISTON 4 O/S 1. 0 . . . . .	1	ALT. PART
13	29U-11610-00-00	PISTON RING SET (STD) . . . . .	1	
	29U-11610-20-00	PISTON RING SET (0.50MM O/S) . . . . .	1	ALT. PART
	29U-11610-40-00	PISTON RING SET (1.00MM O/S) . . . . .	1	ALT. PART
14	29U-11633-00-00	PIN, PISTON . . . . .	1	
15	93450-17044-00	CIRCLIP . . . . .	2	
16	90501-21133-00	SPRING, COMPRESSION . . . . .	6	
17	93605-10090-00	PIN, DOWEL . . . . .	3	
18	5H0-11536-00-00	GEAR, DRIVE (38T) . . . . .	1	
19	90201-266F5-00	WASHER, PLATE . . . . .	1	
20	5H0-11531-00-00	GEAR, BALANCE WEIGHT (38T) . . . . .	1	
21	15A-11454-00-00	WEIGHT 1 . . . . .	1	
22	93306-30427-00	BEARING . . . . .	2	
23	90282-05013-00	KEY, STRAIGHT . . . . .	1	

CONTINUED ON NEXT FRAME ►

# CRANKSHAFT - PISTON

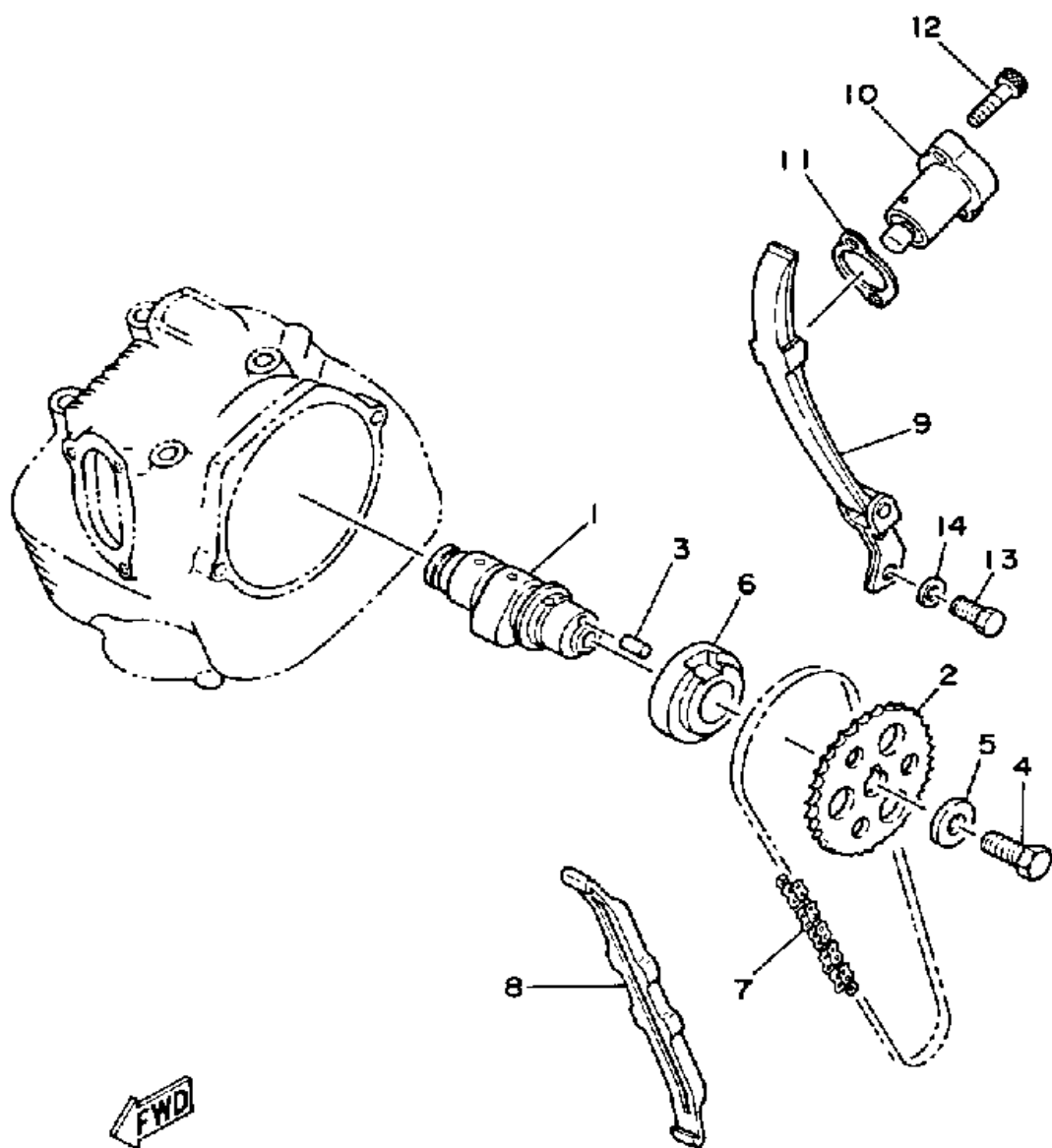


29U110-4030

Ref. No.	Part Number	Description	Qty	Remarks
24	90215-14205-00	WASHER, LOCK .....	1	
25	90170-14284-00	NUT .....	1	
26	90280-16053-00	KEY, WOODRUFF (90280-05048-00) .....	1	
27	90201-107F8-00	WASHER, PLATE .....	1	
28	92990-10100-00	WASHER, SPRING .....	1	
29	90101-10568-00	BOLT .....	1	
30	93210-16290-00	O-RING .....	1	
31	99009-26400-00	CIRCLIP .....	1	

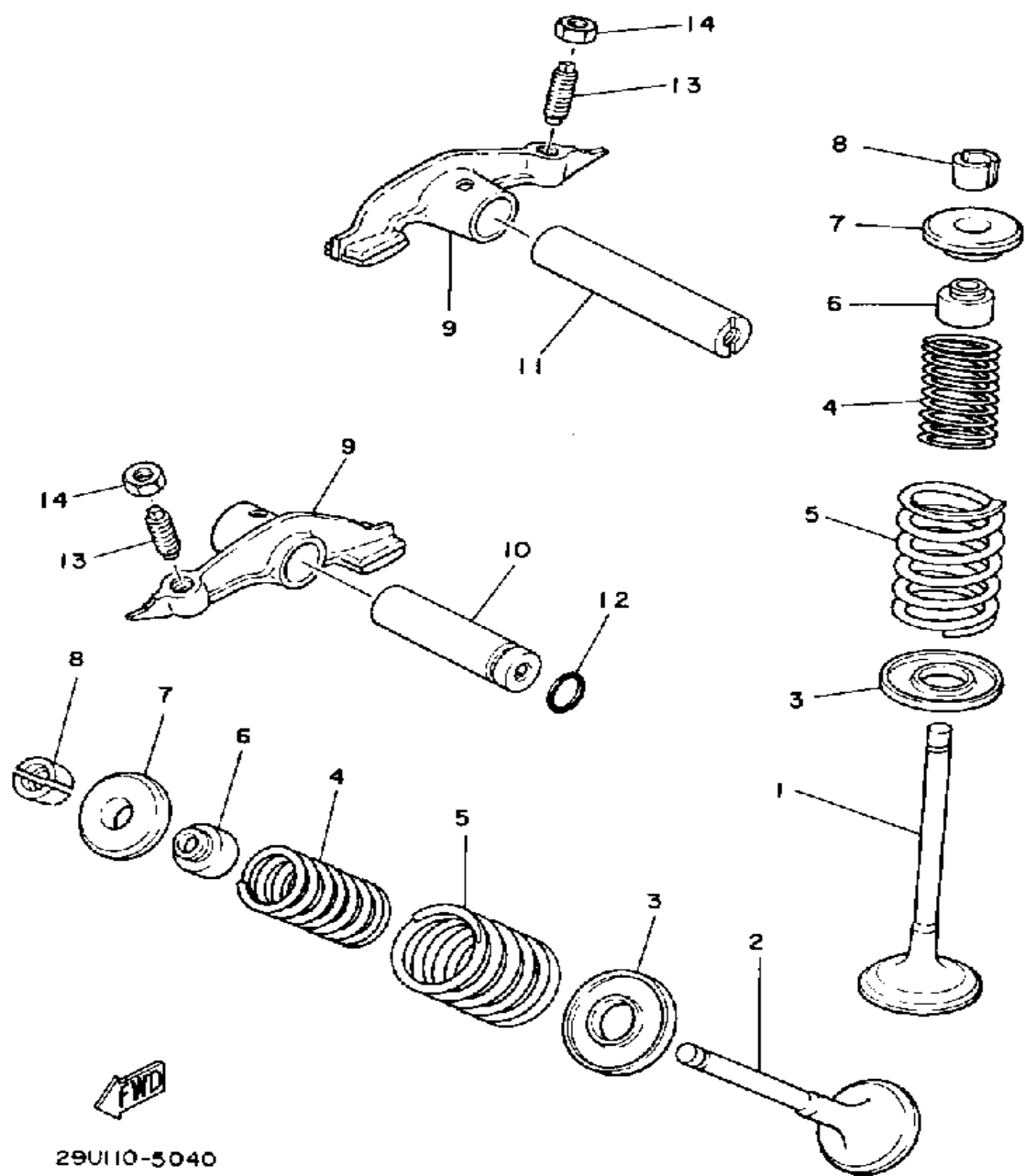
# CAMSHAFT - CHAIN

Ref. No.	Part Number	Description	Qty	Remarks
1	5N0-12171-10-00	CAMSHAFT 1 .....	1	
2	5H0-12176-00-00	SPROCKET, CAM CHAIN (40T)	1	
3	93604-10011-00	PIN, DOWEL .....	1	
4	90101-10303-00	BOLT .....	1	
5	90201-10774-00	WASHER, PLATE .....	1	
6	90387-255F3-00	COLLAR .....	1	
7	94580-41104-00	CHAIN .....	1	
8	5H0-12231-00-00	GUIDE, STOPPER 1 .....	1	
9	5N0-12241-00-00	GUIDE, STOPPER 2 .....	1	
10	2LN-12210-10-00	TENS.ASSEMBLY, CAM CHAINCAM CHAIN .....	1	
11	4BE-12213-00-00	GASKET, TENSIONER CASE ..	1	
12	91316-06025-00	BOLT .....	2	
13	97011-06016-00	BOLT .....	2	
14	90201-061A5-00	WASHER, PLATE .....	2	



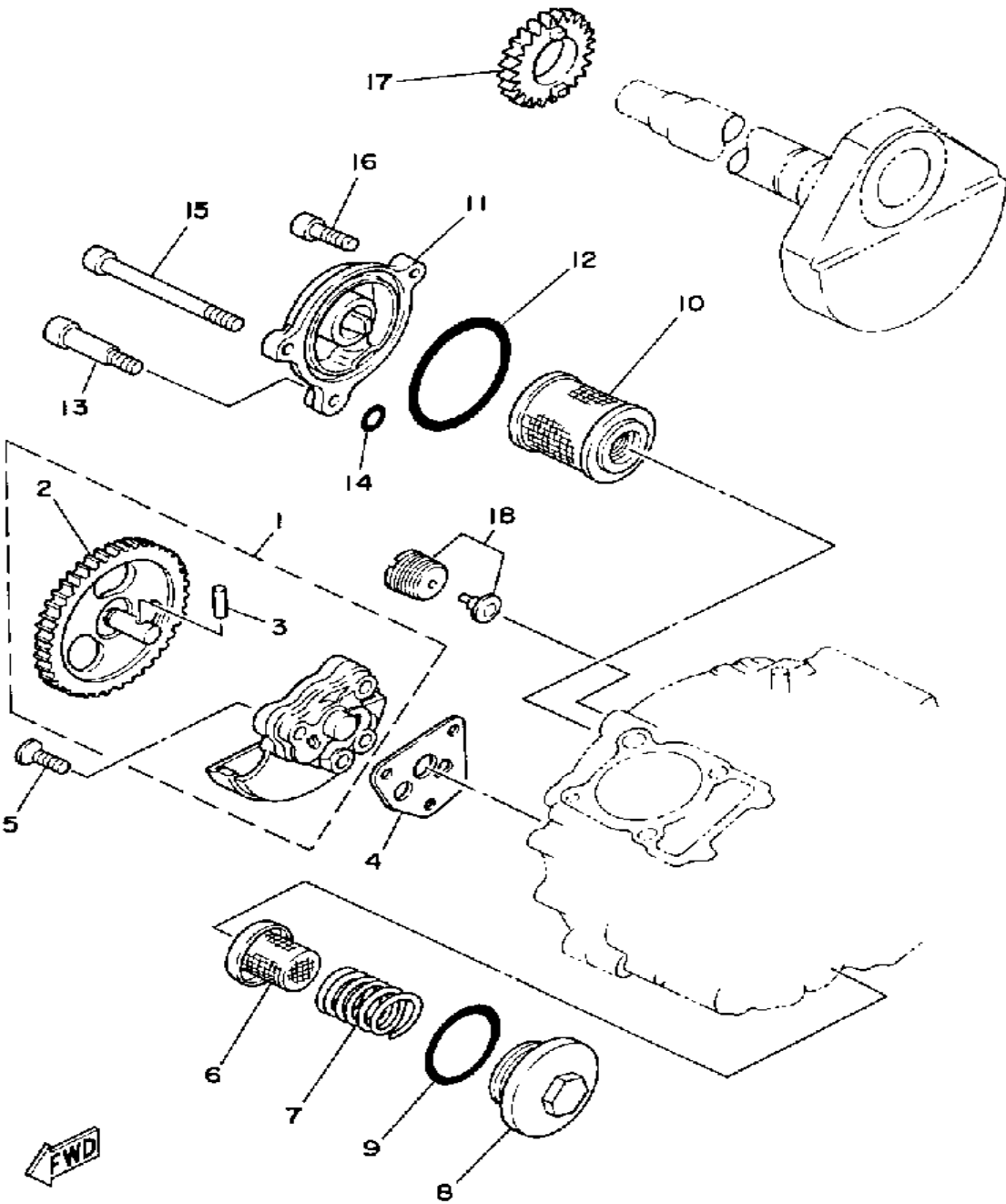
29U110-5050

# VALVE



Ref. No.	Part Number	Description	Qty	Remarks
1	5H0-12111-00-00	VALVE, INTAKE .....	1	
2	5H0-12121-00-00	VALVE, EXHAUST .....	1	
3	4G0-12116-01-00	SEAT, VALVE SPRING .....	2	
4	4G0-12113-01-00	SPRING, VALVE INNER .....	2	
5	4G0-12114-01-00	SPRING, VALVE OUTER .....	2	
6	5H0-12119-00-00	SEAL, VALVE STEM .....	2	
7	4G0-12117-00-00	RETAINER, VALVE SPRING ..	2	
8	4G0-12118-00-00	COTTER, VALVE .....	4	
9	29U-12151-00-00	ARM, VALVE ROCKER .....	2	
10	5H0-12156-00-00	SHAFT, ROCKER 2 .....	1	
11	5H0-12146-00-00	SHAFT, ROCKER .....	1	
12	93210-09350-00	O-RING .....	1	
13	3Y1-12159-00-00	SCREW, VALVE ADJUSTING ..	2	
14	90170-06128-00	NUT .....	2	

29U110-5040

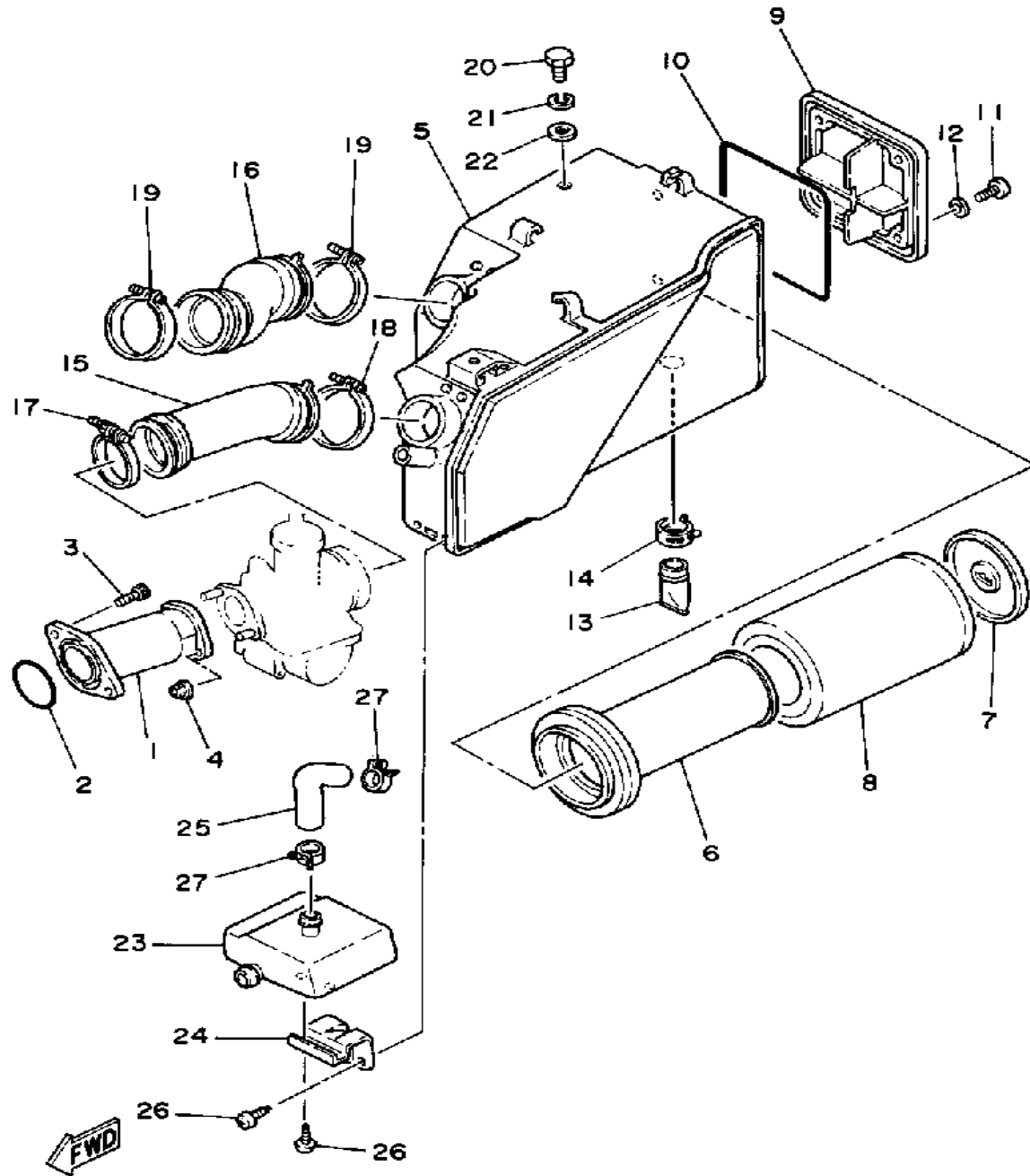


29U110-4060

# OIL PUMP

Ref. No.	Part Number	Description	Qty	Remarks
1	21V-13300-00-00	OIL PUMP ASSEMBLY .....	1	
2	21V-13326-00-00	. GEAR, PUMP DRIVEN 2 (41T)	1	
3	93603-12030-00	. PIN, DOWEL .....	1	
4	4BE-13329-00-00	GASKET, PUMP COVER .....	1	
5	98701-06030-00	SCREW, FLAT HEAD .....	3	
6	51Y-13411-00-00	STRAINER, OIL .....	1	
7	90501-18576-00	SPRING, COMPRESSION .....	1	
8	5H0-15351-00-00	PLUG, DRAIN .....	1	
9	93210-35389-00	O-RING .....	1	
10	5H0-13440-00-00	ELEMENT ASSEMBLY, OIL CLEANER .....	1	
11	15A-13447-00-00	COVER, OIL ELEMENT .....	1	
12	93210-54175-00	O-RING .....	1	
13	90109-06419-00	BOLT .....	1	
14	93210-07135-00	O-RING .....	1	
15	91316-06020-00	BOLT .....	1	
16	91316-06115-00	BOLT, SOCKET HEAD .....	1	
17	21V-13324-00-00	GEAR, PUMP DRIVE .....	1	
18	21V-13409-01-00	CHECK VALVE ASSEMBLY ...	1	

# AIR FILTER

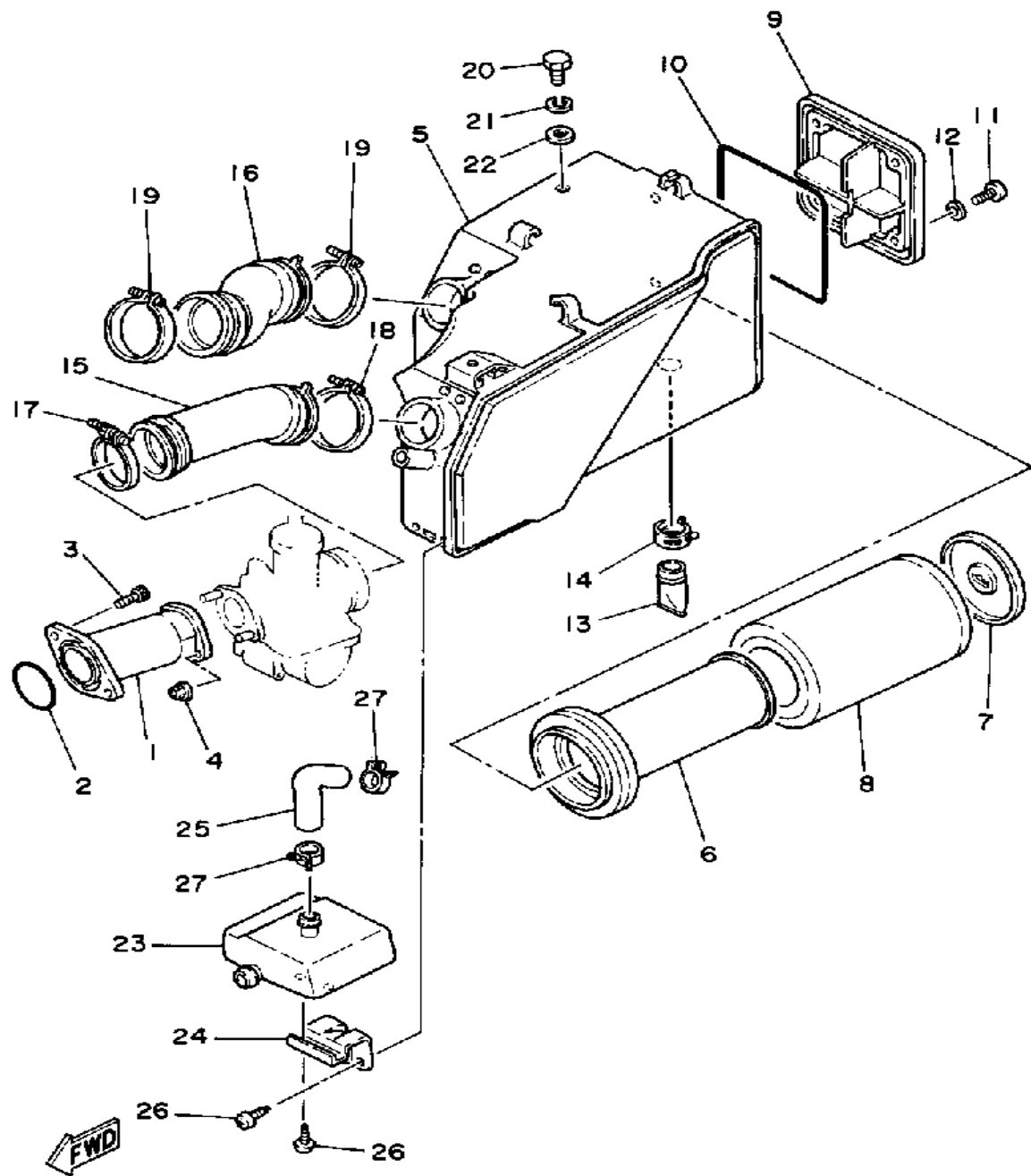


29U110-5070

Ref. No.	Part Number	Description	Qty	Remarks
1	29U-13586-01-00	JOINT, CARBURETOR 1	1	
2	93210-35537-00	O-RING	1	
3	91316-06020-00	BOLT	2	
4	95701-06500-00	NUT, FLANGE	2	
5	29U-14401-00-00	AIR CLNR CASE ASSEMBLY	1	
6	29U-14458-00-00	GUIDE, ELEMENT	1	FOR WET TYPE
7	29U-14468-00-00	PLATE, ELEMENT FTNG	1	FOR WET TYPE
8	29U-14450-90-00	ELEMENT ASSEMBLY CLEANER	1	ALT. PART FOR DRY TYPE
	29U-14451-00-00	ELEMENT, AIR CLNR	1	STD FOR WET TYPE
9	29U-14412-00-00	CAP, CLEANER CASE 1	1	
10	51Y-14462-00-00	SEAL	1	
11	98586-05016-00	SCREW, PAN HEAD	4	
12	92906-05600-00	WASHER, PLATE	4	
13	59V-14457-00-00	SEAL	1	
14	90467-22080-00	CLIP	1	
15	29U-14453-00-00	JOINT, AIR CLNR 1	1	
16	29U-14437-00-00	DUCT	1	
17	90460-45040-00	CLAMP, HOSE	1	
18	90460-51059-00	CLAMP, HOSE	1	
19	90460-51059-00	CLAMP, HOSE	2	
20	97301-06014-00	BOLT, HEXAGON	2	
21	92995-06100-00	WASHER, SPRING	2	
22	92990-06600-00	WASHER, PLATE	2	
23	29U-13581-00-00	CHAMBER, AIR	1	
24	29U-14493-00-00	STAY 1	1	
25	29U-14485-00-00	PIPE, JOINT	1	
26	97780-50612-00	SCREW, TAPPING	4	

CONTINUED ON NEXT FRAME ►

# AIR FILTER

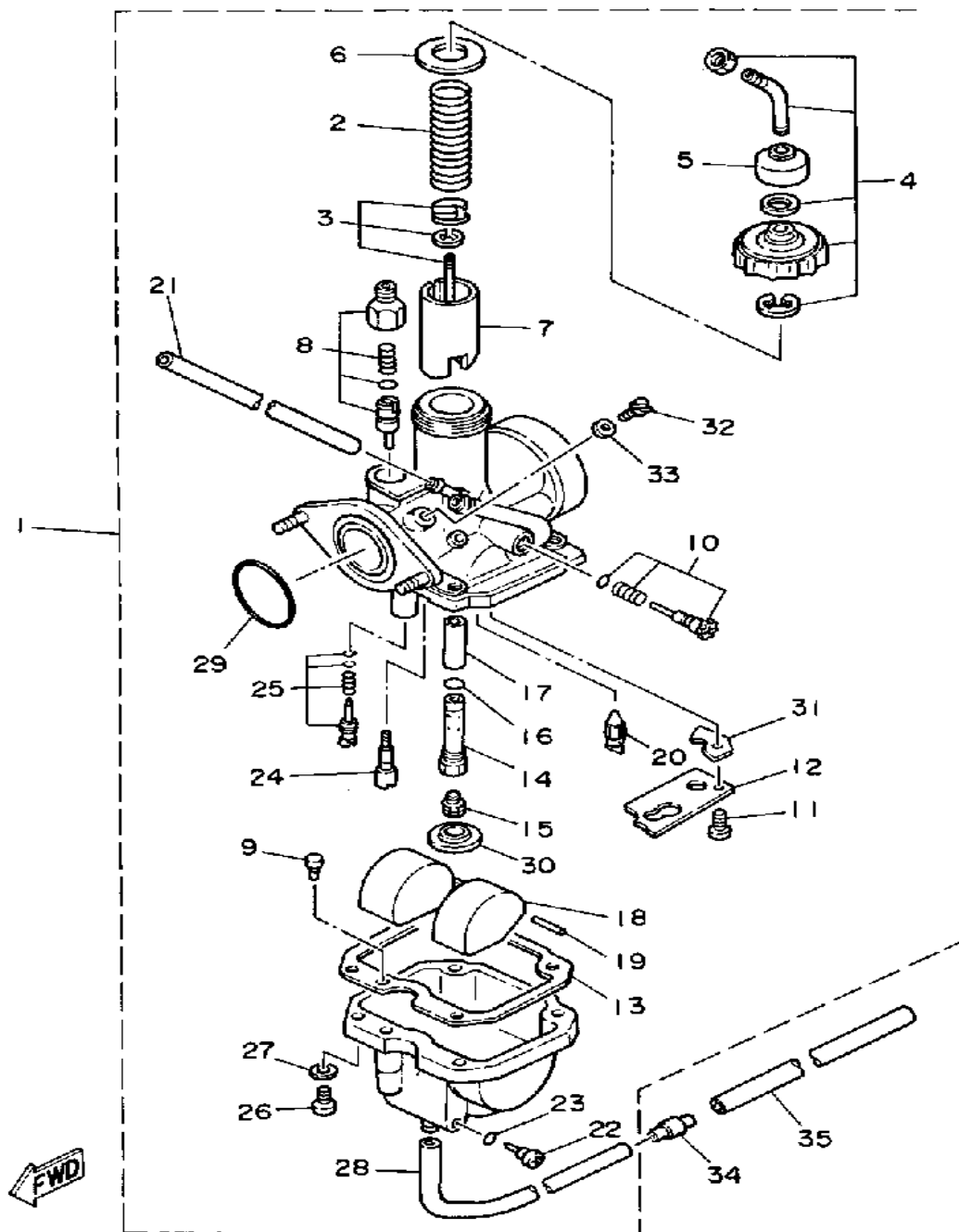


29U110-5070

Ref. No.	Part Number	Description	Qty	Remarks
27	90467-17089-00	CLIP .....	2	

# CARBURETOR

Ref. No.	Part Number	Description	Qty	Remarks
1	29U-14101-02-00	CARBURETOR ASSEMBLY 1 (29U-14101-01)	1	
2	21V-14131-00-00	. SPRING, THROTTLE VALVE	1	
3	29U-1490J-00-00	. NEEDLE SET	1	
4	29U-14106-00-00	. CABLE ADJUST SCREW SET	1	
5	1M1-14169-00-00	. CAP	1	
6	4U5-14126-00-00	. GASKET	1	
7	29U-14112-35-00	. VALVE, THROTTLE 1	1	
8	21V-1410A-00-00	. STARTER SET	1	
9	(18M-14144-18-00)	JET, STARTER	1	
10	18G-14103-00-00	. THROTTLE SCREW SET	1	
11	98580-03008-00	. SCREW, PAN HEAD (98501-03008-00)	1	
12	21V-14146-00-00	. PLATE	1	
13	24W-14184-00-00	. GASKET, FLOAT CHAMBER	1	
14	21V-14141-28-00	. NOZZLE, MAIN	1	
15	620-14231-22-A0	. JET, MAIN #110 (620-14231-22)	1	FOR WET TYPE
16	583-14561-00-00	. O-RING	1	
17	21V-14148-00-00	. JET, HOLDER	1	
18	21V-14185-00-00	. FLOAT	1	
19	127-14186-00-00	. PIN, FLOAT	1	
20	21V-14190-18-00	. NEEDLE VALVE ASSY	1	
21	3Y1-14197-00-00	. PIPE	1	
22	2L1-14191-00-00	. PLUG, DRAIN	1	
23	214-14147-00-00	. O-RING	1	
24	3H1-14142-20-00	. JET, PILOT # 0	1	
25	21V-14105-00-00	. PILOT SCREW SET	1	
26	98511-04016-00	. SCREW, PAN HEAD	4	
27	92901-04100-00	. WASHER, SPRING	4	

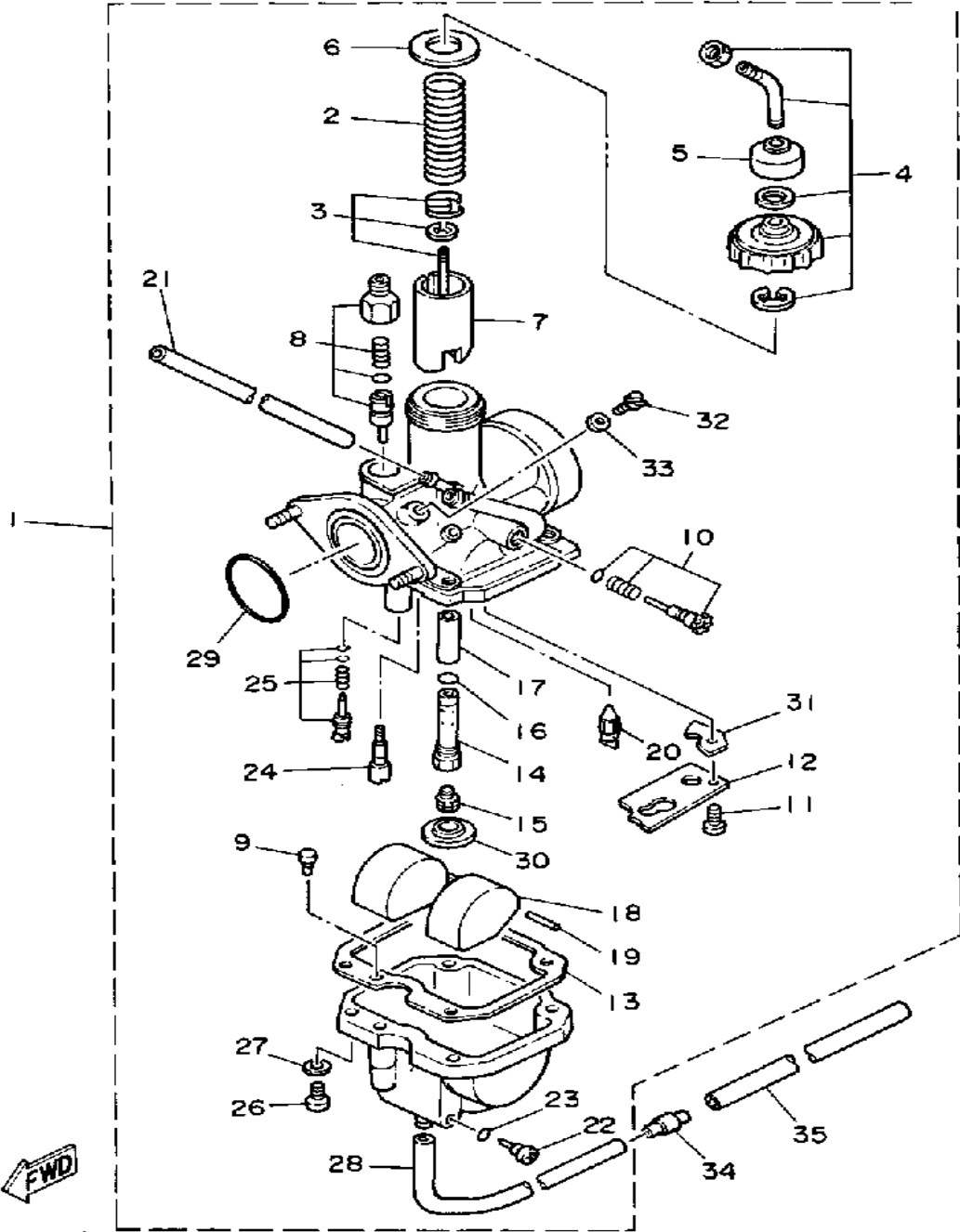


29U110-4080

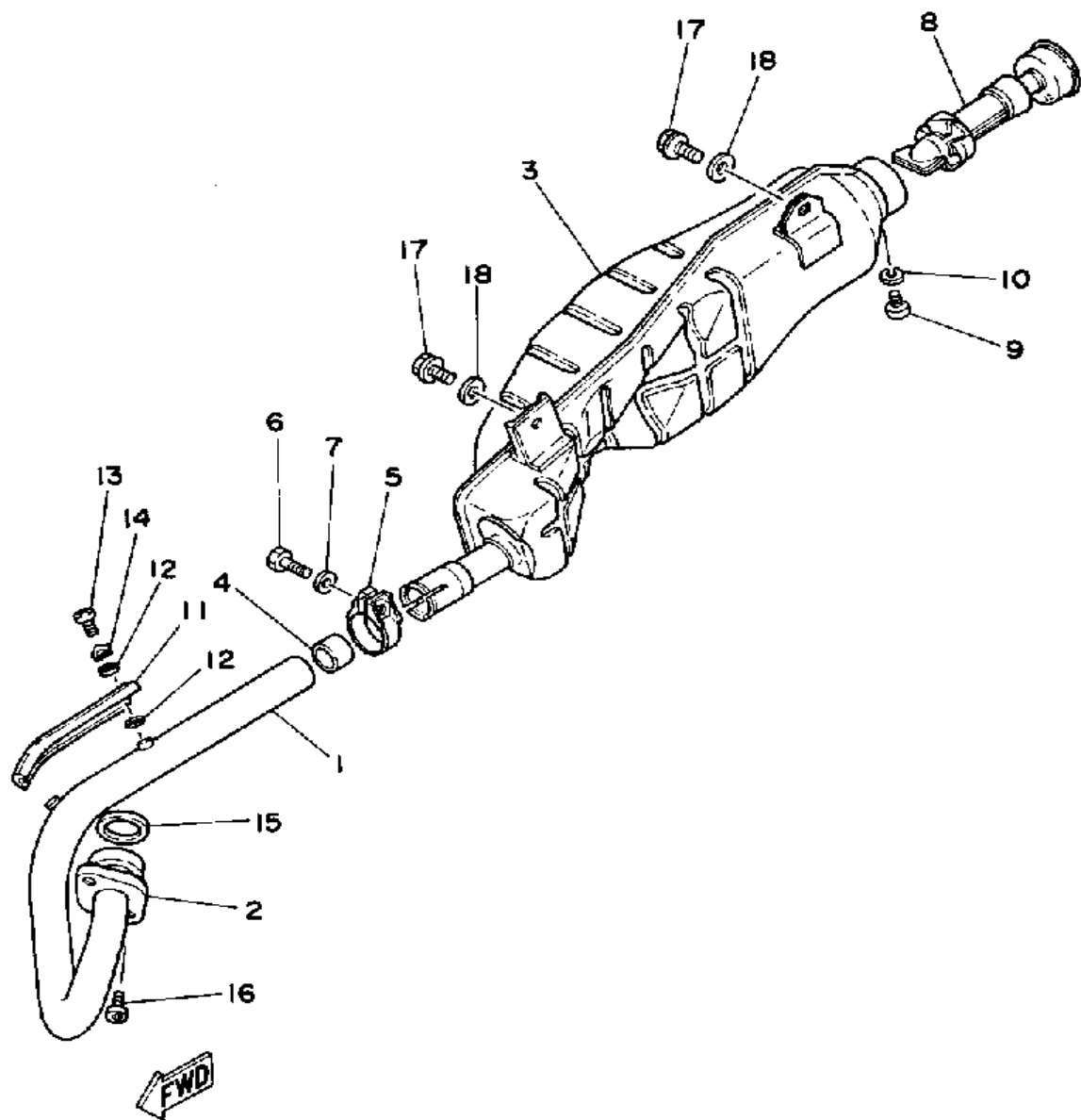
CONTINUED ON NEXT FRAME ►

# CARBURETOR

Ref. No.	Part Number	Description	Qty	Remarks
28	90445-08619-00	. HOSE .....	1	
29	29U-14147-00-00	. O-RING .....	1	
30	5V7-14153-00-00	. WASHER, MAIN JET .....	1	
31	24W-14146-00-00	. PLATE .....	1	
32	341-14991-00-00	. SCREW .....	1	
33	584-14956-00-00	. WASHER .....	1	
34	24W-14193-00-00	PIPE .....	1	
35	91A20-07010-00	TUBE, FLEXIBLE VINYL .....	1	



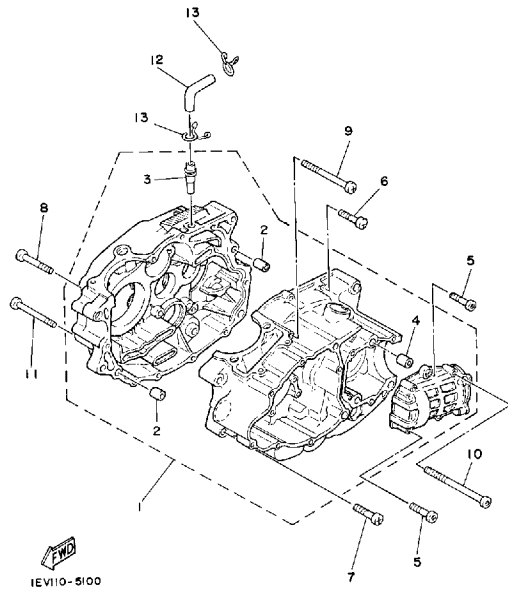
29U110-4080



29U110-4090

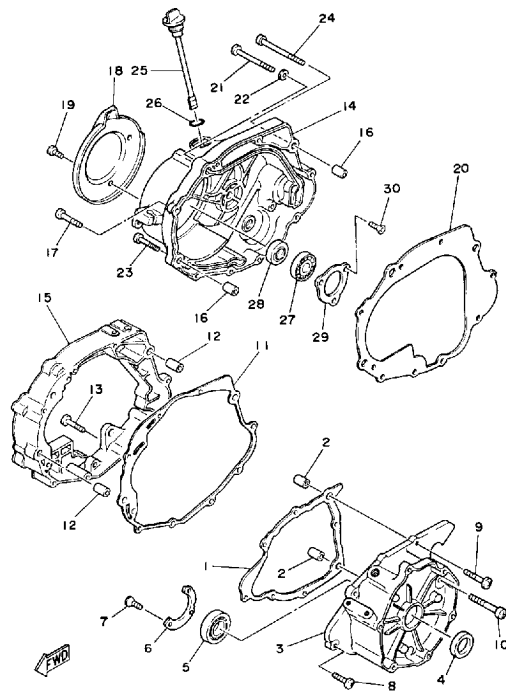
# EXHAUST

Ref. No.	Part Number	Description	Qty	Remarks
1	29U-14611-00-00	PIPE, EXHAUST L .....	1	
2	5H0-14612-00-00	NUT, RING .....	1	
3	29U-14711-01-00	MUFFLER L (29U-14711-00) ...	1	
4	29U-14714-00-00	GASKET, MUFFLER .....	1	
5	4H7-14788-00-00	BAND, SILENCER .....	1	
6	97016-08025-00	BOLT .....	1	
7	92906-08600-00	WASHER .....	1	
8	21V-14752-00-00	PIPE, OUTLET .....	1	
9	98580-06008-00	SCREW, PAN HEAD .....	1	
10	92995-06100-00	WASHER, SPRING .....	1	
11	29U-14628-00-00	PROTC, EXHAUST PIPEPIPE ..	1	
12	90202-05187-00	WASHER, PLATE .....	4	
13	98906-06008-00	SCREW, BIND .....	2	
14	90206-06090-00	WASHER, WAVE .....	2	
15	4BE-14613-00-00	GASKET, EXHAUST PIPE .....	1	
16	91316-06020-00	BOLT .....	2	
17	95821-08020-00	BOLT, FLANGE (95811-08020) .	2	
18	90201-08326-00	WASHER, PLATE .....	2	



# CRANKCASE

Ref. No.	Part Number	Description	Qty	Remarks
1	(1EV-15100-00-00)	CRANKCASE ASSEMBLY	1	
2	99510-12016-00	. PIN, DOWEL	2	
3	371-11167-01-00	. PIPE, BREATHER 2	1	
4	99530-10014-00	. PIN, DOWEL	2	
5	91316-06035-00	BOLT	5	
6	98580-06030-00	SCREW PAN HEAD	7	
7	98580-06040-00	SCREW, PAN HEAD	1	
8	92580-06560-00	SCREW PAN HEAD	1	
9	98511-06085-00	SCREW, PAN HEAD	1	
10	91316-06160-00	BOLT, SOCKET HEAD	1	
11	98501-06075-00	SCREW, PAN HEAD	1	
12	29U-11166-00-00	PIPE, BREATHER 1	1	
13	90467-17089-00	CLIP	2	



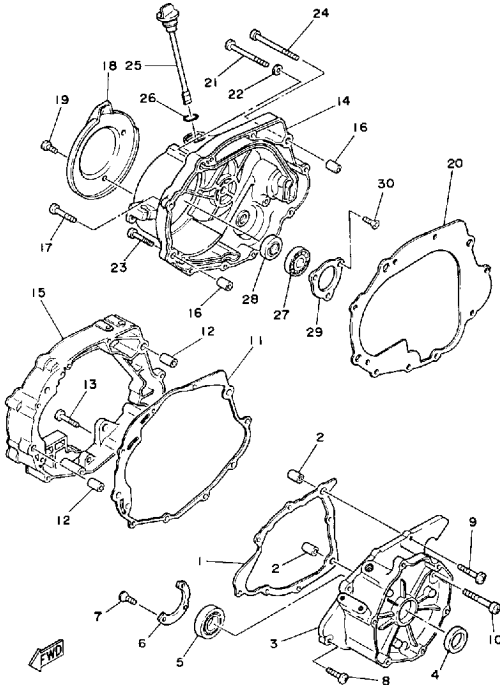
52G100-5110

# CRANKCASE COVER 1

Ref. No.	Part Number	Description	Qty	Remarks
1	4BD-15451-00-00	GASKET, CRCS COVERCOVER 1	1	
2	99510-12016-00	PIN, DOWEL	2	
3	52G-15787-00-00	ADAPTOR	1	
4	93103-28141-00	OIL SEAL	1	
5	93306-20547-00	BEARING	1	
6	21V-15719-00-00	WASHER, THRUST	1	
7	90151-05031-00	SCREW, COUNTERSUNK	3	
8	98506-06025-00	SCREW, PAN HEAD	5	
9	98506-06040-00	SCREW, PAN HEAD	2	
10	98506-06060-00	SCREW, PAN HEAD	1	
11	4BD-15462-00-00	GASKET, CRANKCASE COVER 3	1	
12	99510-12016-00	PIN, DOWEL	2	
13	98580-06040-00	SCREW, PAN HEAD	3	
14	21V-15431-00-00	COVER, CRANKCASE 3	1	
15	21V-15317-00-00	SPACER, ENG MOUNT	1	
16	99510-12016-00	PIN, DOWEL	2	
17	98506-06040-00	SCREW, PAN HEAD	2	
18	21V-15499-00-00	PROTECTOR, COVER	1	
19	98906-06014-00	SCREW, BIND	3	
20	4BD-15463-00-00	GASKET, CARB CVR 2COVER 3	1	
21	98506-06070-00	SCREW, PAN HEAD	5	
22	90430-06014-00	GASKET	1	
23	98506-06040-00	SCREW, PAN HEAD	1	
24	98506-06080-00	SCREW, PAN HEAD	1	
25	1UY-15362-01-00	PLUG, OIL LEVEL	1	
26	93210-19123-00	O-RING	1	
27	93306-20326-00	BEARING	1	

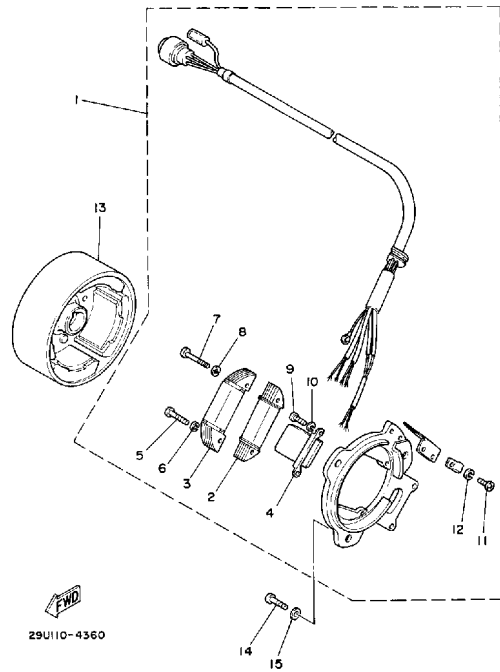
CONTINUED ON NEXT FRAME ►

# CRANKCASE COVER 1



52G100-5110

Ref. No.	Part Number	Description	Qty	Remarks
28	93101-17113-00	OIL SEAL .....	1	
29	21V-15381-00-00	PLATE, BEARING COVER ....	1	
30	90151-06025-00	SCREW, COUNTERSUNK ....	3	

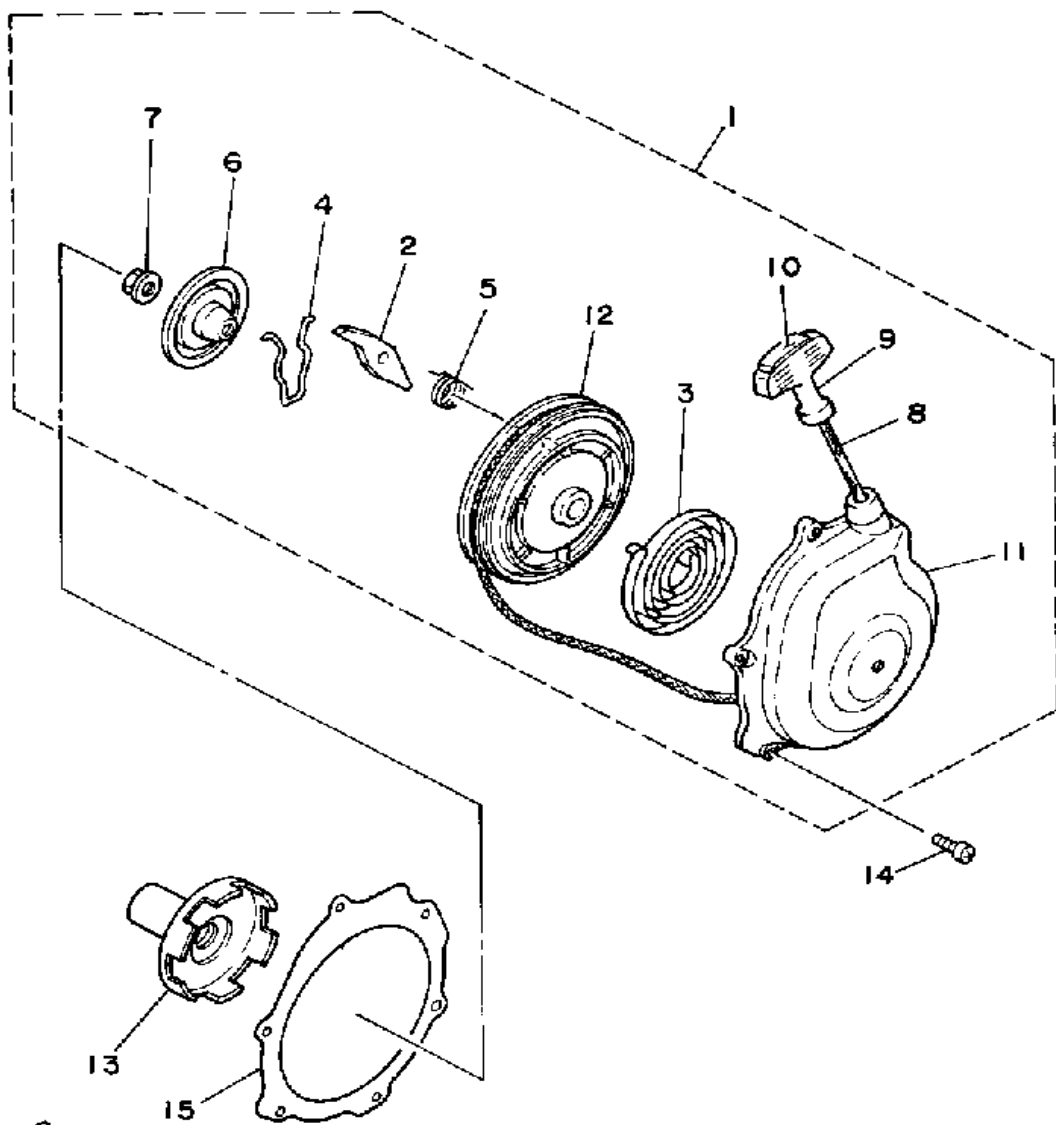


# GENERATOR

Ref. No.	Part Number	Description	Qty	Remarks
1	29U-85510-20-00	STATOR ASSEMBLY (24W-85510-20) .....	1	
2	21V-85512-20-00	. COIL SOURCE 2 .....	1	
3	24W-85513-20-00	. COIL, LIGHTING 1 .....	1	
4	21V-85580-20-00	. COIL, PULSER .....	1	
5	98506-04018-00	. SCREW, PAN HEAD .....	2	
6	92901-04100-00	. WASHER, SPRING .....	2	
7	619-81345-20-00	. SCREW, PAN HEAD (811-14125-0) .....	2	
8	92901-04100-00	. WASHER, SPRING .....	2	
9	98580-05010-00	. SCREW, PAN HEAD .....	2	
10	92990-05100-00	. WASHER, SPRING .....	2	
11	98580-04008-00	. SCREW, PAN HEAD .....	2	
12	92901-04100-00	. WASHER, SPRING .....	2	
13	29U-85550-21-00	ROTOR ASSEMBLY .....	1	
14	98503-06014-00	SCREW, PAN HEAD (92501-06015) .....	3	
15	92990-06600-00	WASHER, PLATE .....	3	

# STARTER

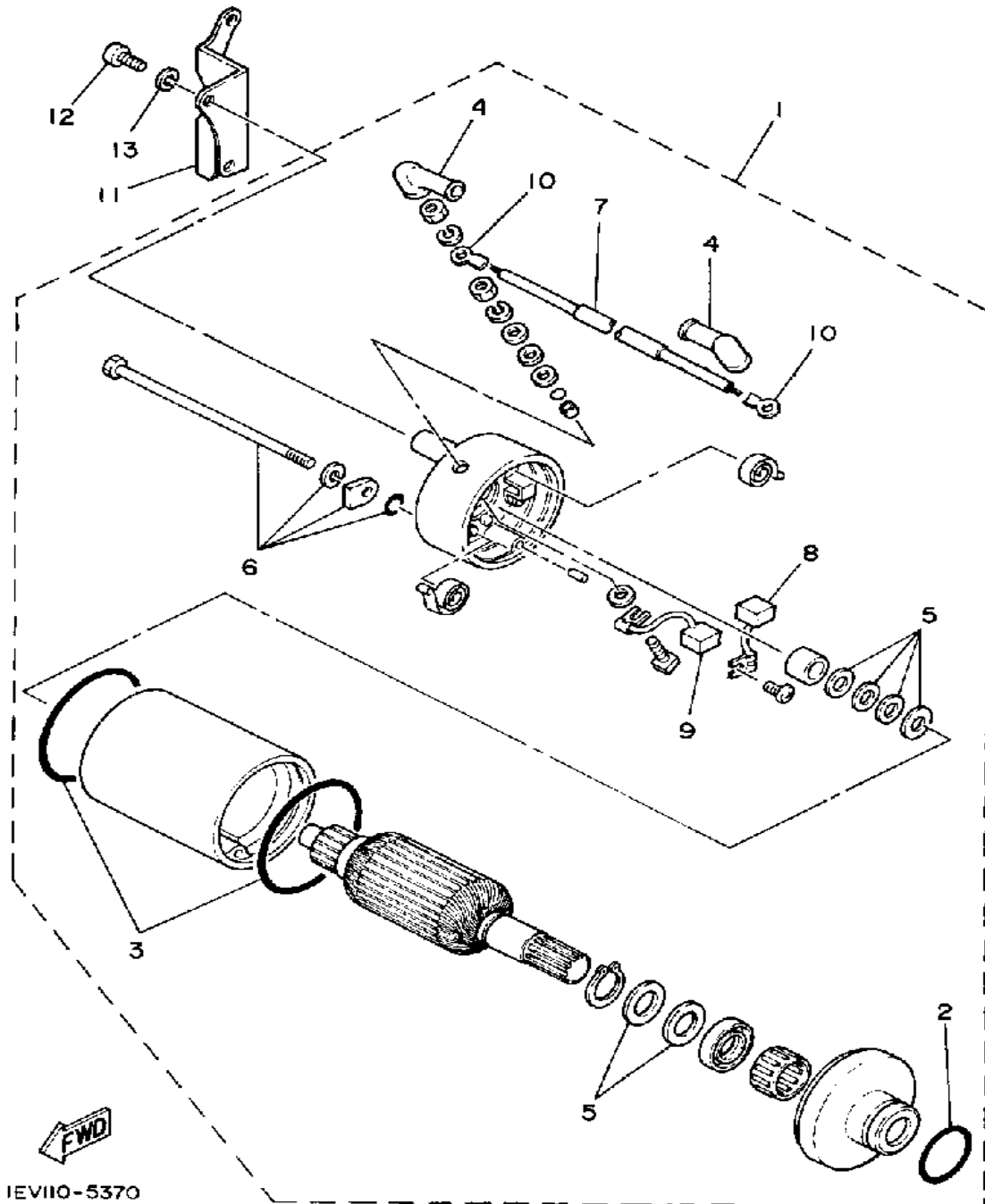
Ref. No.	Part Number	Description	Qty	Remarks
1	24W-15710-00-00	STARTER ASSEMBLY	1	
2	21V-15741-00-00	. PAWL, DRIVE	1	
3	21V-15713-00-00	. SPRING, STARTER	1	
4	21V-15715-00-00	. SPRING, FRICTION	1	
5	21V-15767-00-00	. SPRING	1	
6	21V-15716-00-00	. PLATE, DRIVE	1	
7	95701-06500-00	. NUT, FLANGE	1	
8	5V6-15751-00-XX	. ROPE STARTER	1	
9	3X3-15755-00-00	. HANDLE, STARTER	1	
10	21V-15779-00-00	. COVER	1	
11	24W-15711-00-00	. CASE, STARTER	1	
12	24W-15714-00-00	. DRUM, SHEAVE	1	
13	21V-15723-00-00	PULLEY, STARTER	1	
14	98516-06020-00	SCREW, PAN HEAD	6	
15	21V-15699-00-00	GASKET	1	



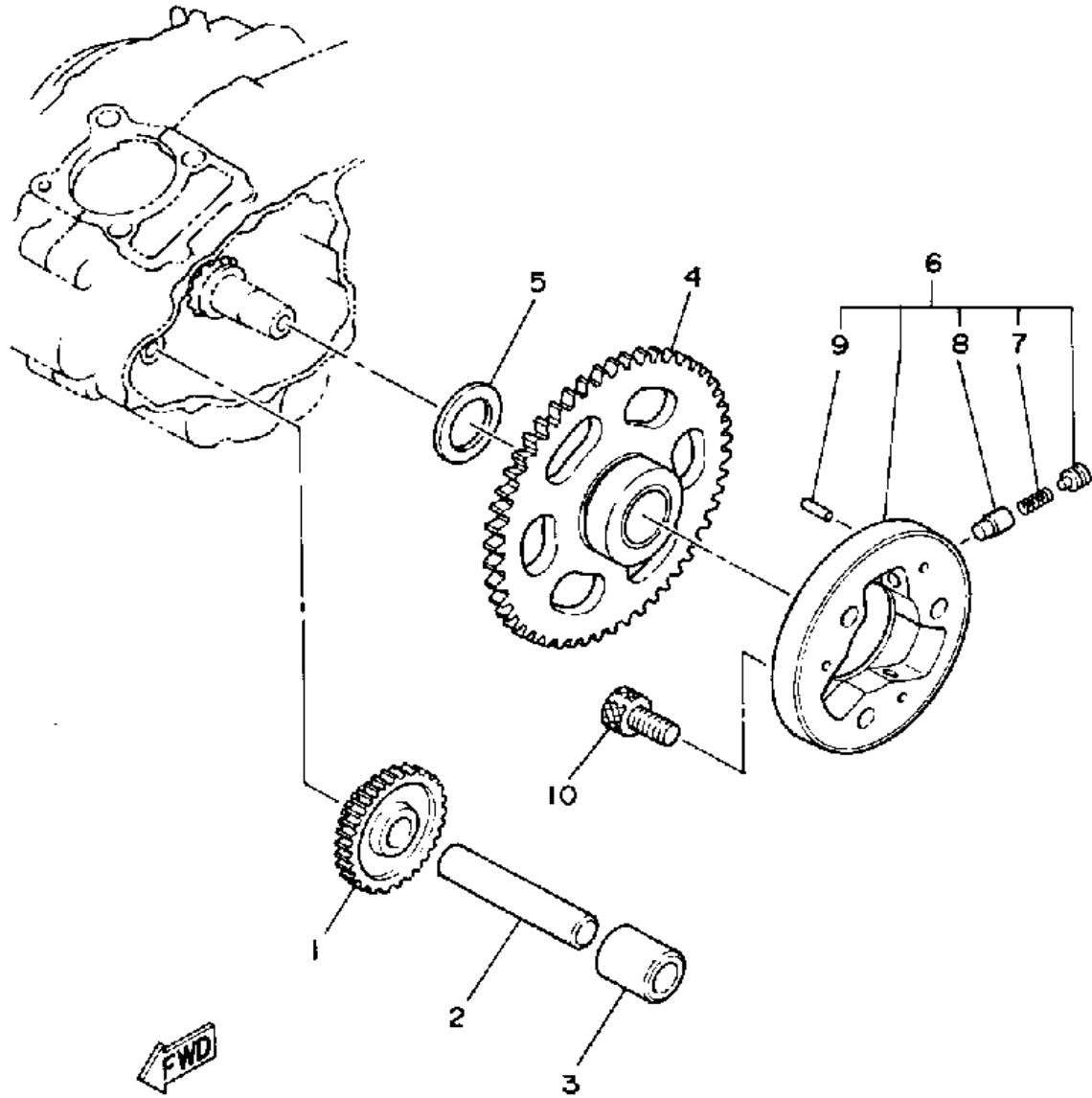
1EV110-5120

# STARTING MOTOR

Ref. No.	Part Number	Description	Qty	Remarks
1	29U-81800-61-00	STARTING MOTOR ASSEMBLY (24W-81800-60)	1	
2	5H0-81847-01-00	. O-RING	1	
3	5H0-81844-00-00	. GASKET	2	
4	5H0-81871-00-00	. CAP	2	
5	5H0-81809-00-00	. WASHER KIT	1	
6	5H0-81826-00-00	. BOLT	1	
7	29U-81815-00-00	. WIRE, STARTER	1	
8	5H0-81811-00-00	. BRUSH 1	1	
9	5H0-81812-00-00	. BRUSH 2	1	
10	5H0-81818-00-00	. TERMINAL SET	1	
11	24W-81823-00-00	STAY, STARTING MTR	1	
12	98503-06014-00	SCREW, PAN HEAD (92501-06015)	2	
13	92995-06100-00	WASHER, SPRING	2	



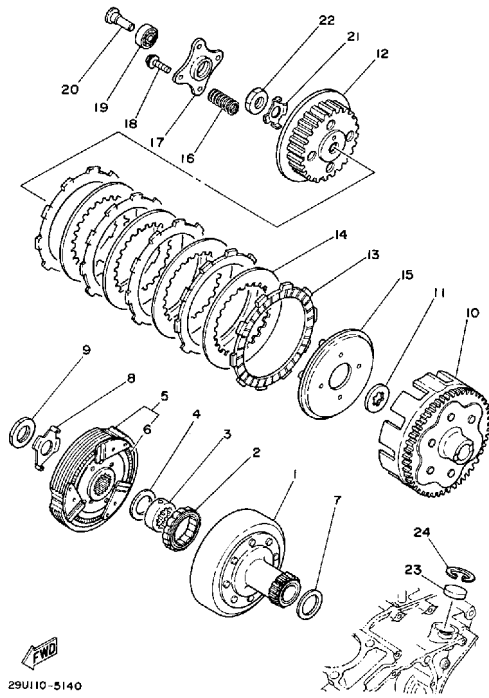
IEV110-5370



29U110-5130

# STARTER CLUTCH

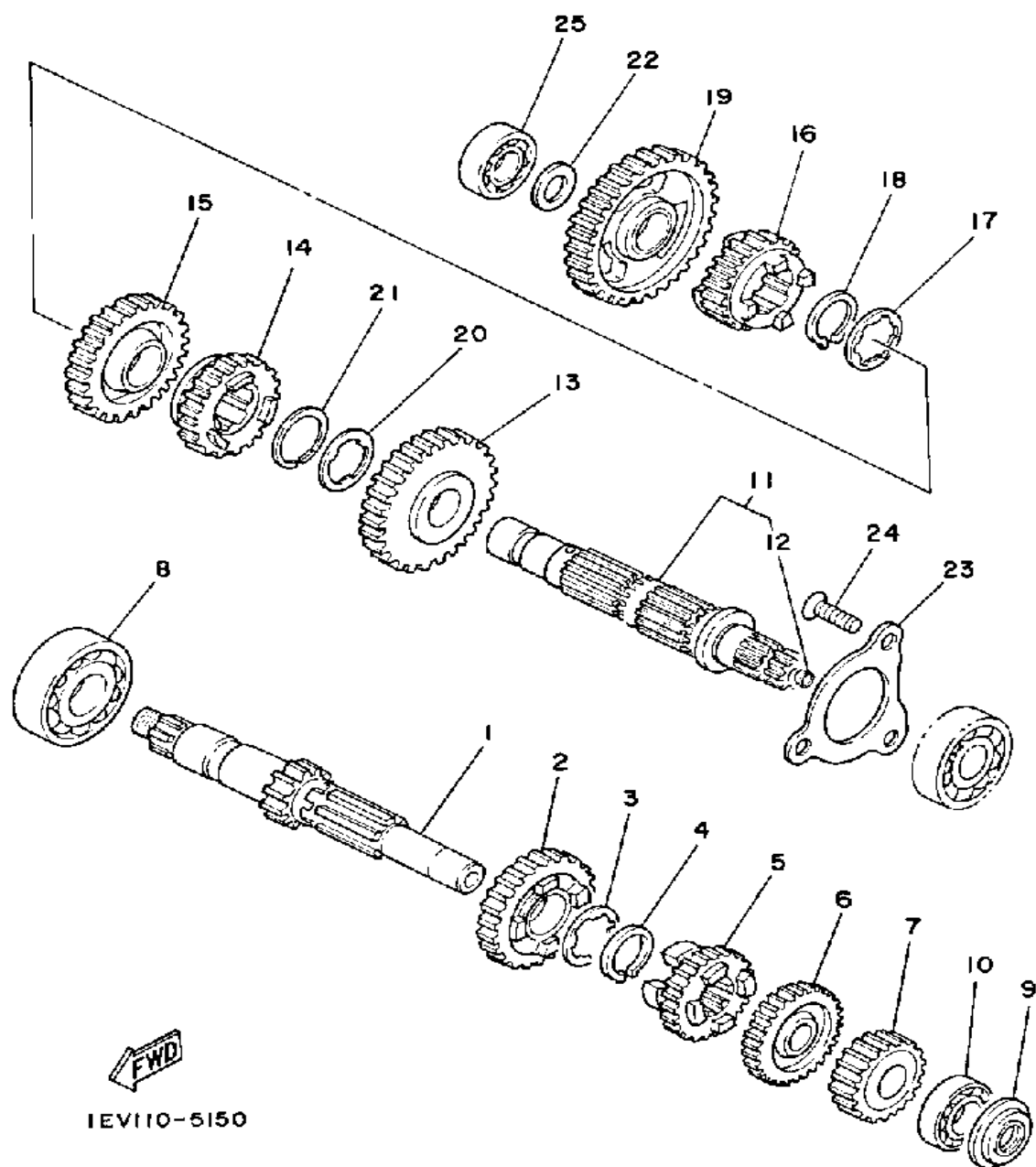
Ref. No.	Part Number	Description	Qty	Remarks
1	2HT-15512-00-00	GEAR, IDLER 1 .....	1	
2	24W-15521-00-00	SHAFT 1 .....	1	
3	90387-125H3-00	COLLAR .....	1	
4	5H0-15517-00-00	GEAR, IDLER 2 (56T) .....	1	
5	90201-256K6-00	WASHER, PLATE (0.9T) .....	1	
6	4H7-15580-10-00	STARTER CLUTCH OUTER ASSEMBLY .....	1	
7	90501-04596-00	. SPRING, COMPRESSION .....	3	
8	341-15583-05-00	. CAP, STR CLUTCH SPR -CLUTCH SPRING .....	3	
9	93615-12088-00	. PIN, DOWEL .....	3	
10	91316-08016-00	BOLT, SOCKET HEAD .....	3	



# CLUTCH

Ref. No.	Part Number	Description	Qty	Remarks
1	3GC-16611-00-00	CLUTCH HOUSING COMP. . . .	1	
2	21V-16664-00-00	BEARING, ONE WAY . . . . .	1	
3	21V-16665-01-00	RETAINER, BEARING . . . . .	1	
4	90201-403G7-00	WASHER, PLATE . . . . .	1	
5	99999-01949-00	CLUTCH CARRIER ASSEMBLY	1	
6	29U-16626-00-00	. SPRING, CLUTCH WT 1WEIGHT 1 . . . . .	2	
7	90201-266F6-00	WASHER, PLATE . . . . .	1	
8	90215-22206-00	WASHER, LOCK . . . . .	1	
9	90170-22371-00	NUT . . . . .	1	
10	2HT-16150-00-00	PRIMARY DRIVEN GEAR COMP. . . . .	1	
11	5H0-16154-00-00	PLATE, THRUST 1 . . . . .	1	
12	21V-16371-01-00	BOSS, CLUTCH . . . . .	1	
13	21V-16321-00-00	PLATE, FRICTION . . . . .	5	
14	257-16324-00-00	PLATE, CLUTCH 1 . . . . .	4	
15	21V-16351-00-00	PLATE, PRESSURE 1 . . . . .	1	
16	90501-24785-00	SPRING, COMPRESSION . . . .	4	
17	21V-16352-00-00	PLATE, PRESSURE 2 . . . . .	1	
18	90159-05011-00	SCREW, WITH WASHER . . . . .	4	
19	93306-00004-00	BEARING . . . . .	1	
20	1YW-16358-00-00	PLATE, PUSH . . . . .	1	
21	90215-14224-00	WASHER, LOCK . . . . .	1	
22	90170-14284-00	NUT . . . . .	1	
23	90338-26136-00	PLUG . . . . .	1	
24	93420-28055-00	CIRCLIP . . . . .	1	

# TRANSMISSION

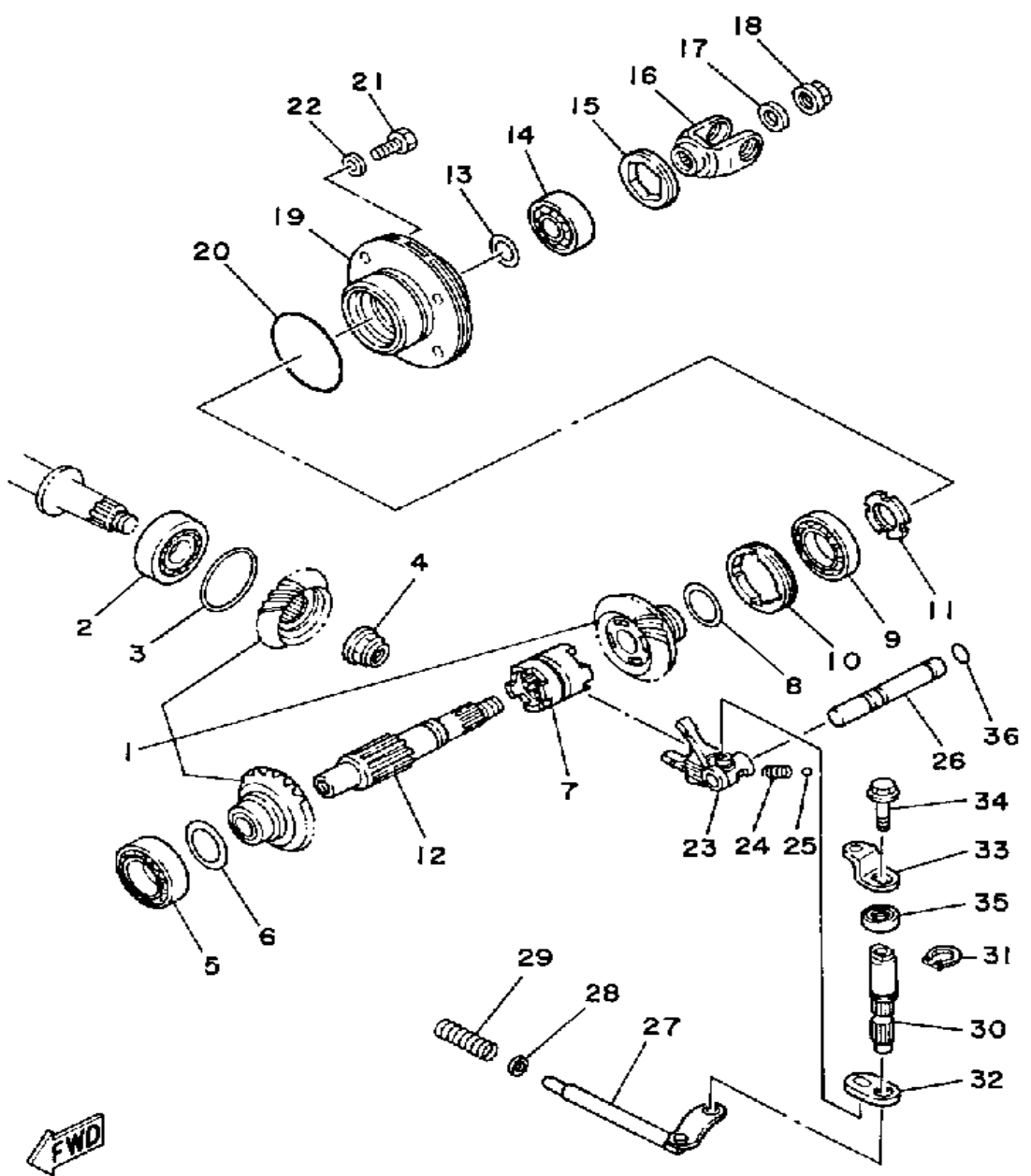


1EV110-5150

Ref. No.	Part Number	Description	Qty	Remarks
1	21V-17401-00-00	MAIN AXLE ASSEMBLYCOMP. (12T)	1	
2	24W-17151-02-00	GEAR, 5TH PINION (28T)	1	
3	90209-16209-00	WASHER	1	
4	93410-20038-00	CIRCLIP	1	
5	5H0-17121-01-00	GEAR, 2ND PINION (22T)	1	
6	24W-17141-00-00	GEAR, 4TH PINION	1	
7	15A-17121-00-00	GEAR, 2ND PINION (19T)	1	
8	93306-20421-00	BEARING (B6204)	1	
9	93101-15101-00	OIL SEAL	1	
10	93306-20211-00	BEARING (6202SH2-C3)	1	
11	24W-17402-00-00	DRIVE AXLE ASSEMBLY	1	
12	90331-07041-00	. PLUG, TIGHT	1	
13	29U-17221-00-00	GEAR, 2ND WHEEL	1	
14	24W-17241-00-00	GEAR, 4TH WHEEL (26T)	1	
15	15A-17231-00-00	GEAR, 3RD WHEEL (29T)	1	
16	1EV-17251-00-00	GEAR, 5TH WHEEL (23T)	1	
17	90209-18208-00	WASHER	1	
18	93410-22039-00	CIRCLIP	1	
19	29U-17211-00-00	GEAR, 1ST WHEEL (34T)	1	
20	90209-23233-00	WASHER, SPEC'L SHAP	1	
21	93440-26121-00	CIRCLIP, OUTER	1	
22	90201-154E8-00	WASHER, PLATE (1.0T)	1	
23	24W-17558-00-00	PLATE, BEARING	1	
24	90149-08152-00	SCREW	3	
25	93306-20211-00	BEARING (6202SH2-C3)	1	

# MIDDLE DRIVE GEAR

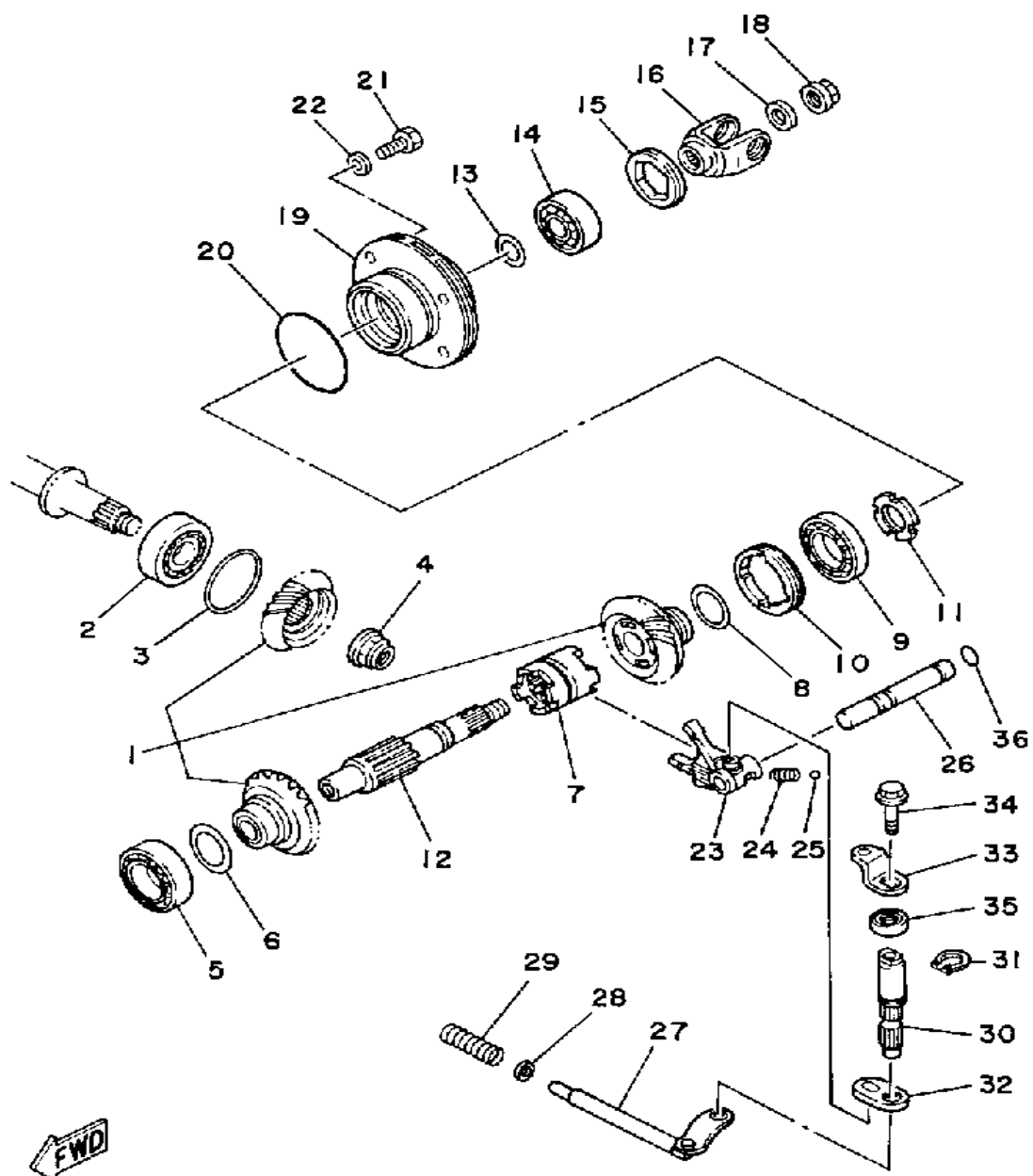
Ref. No.	Part Number	Description	Qty	Remarks
1	52G-W1751-00-00	MIDDLE GEAR .....	1	
2	93306-30432-00	BEARING (B6304) .....	1	
3	24W-17537-30-00	SHIM, THRUST (0.2T) .....	1	U.R.
	24W-17537-40-00	SHIM, THRUST (0.3T) .....	1	U.R.
	24W-17537-50-00	SHIM, THRUST (0.4T) .....	1	
	24W-17537-50-00	SHIM, THRUST (0.4T) .....	1	U.R.
4	90179-16417-00	NUT, SPEC'L SHAPE .....	1	
5	93306-00612-00	BEARING .....	1	
6	52G-17531-00-20	SHIM, PINION .....	1	U.R.
	52G-17531-00-30	SHIM, PINION .....	1	U.R.
	52G-17531-00-40	SHIM, PINION .....	1	U.R.
7	52G-17285-00-00	CLUTCH, DOG .....	1	
8	52G-17967-00-20	SHIM, (0.2T) .....	1	U.R.
	52G-17967-00-30	SHIM, (0.3T) .....	1	U.R.
	52G-17967-00-40	SHIM, (0.4T) .....	1	U.R.
9	93306-07801-00	BEARING .....	1	
10	90179-55464-00	NUT .....	1	
11	90179-28465-00	NUT .....	1	
12	1EV-17553-00-00	SHAFT, MIDDLE DRIVEN .....	1	
13	52G-17968-00-10	SHIM, (1.0T) .....	1	U.R.
	52G-17968-00-12	SHIM, (1.2T) .....	1	U.R.
	52G-17968-00-14	SHIM, (1.4T) .....	1	U.R.
	52G-17968-00-16	SHIM, (1.6T) .....	1	U.R.
	52G-17968-00-18	SHIM, (1.8T) .....	1	U.R.
14	93399-99917-00	BEARING .....	1	
15	90179-50467-00	NUT .....	1	
16	1EV-17556-00-00	YOKE, JOINT .....	1	
17	90201-125F7-00	WASHER, PLATE .....	1	
18	90179-12421-00	NUT, SPEC'L SHAPE .....	1	



1EV110-5160

CONTINUED ON NEXT FRAME ►

# MIDDLE DRIVE GEAR

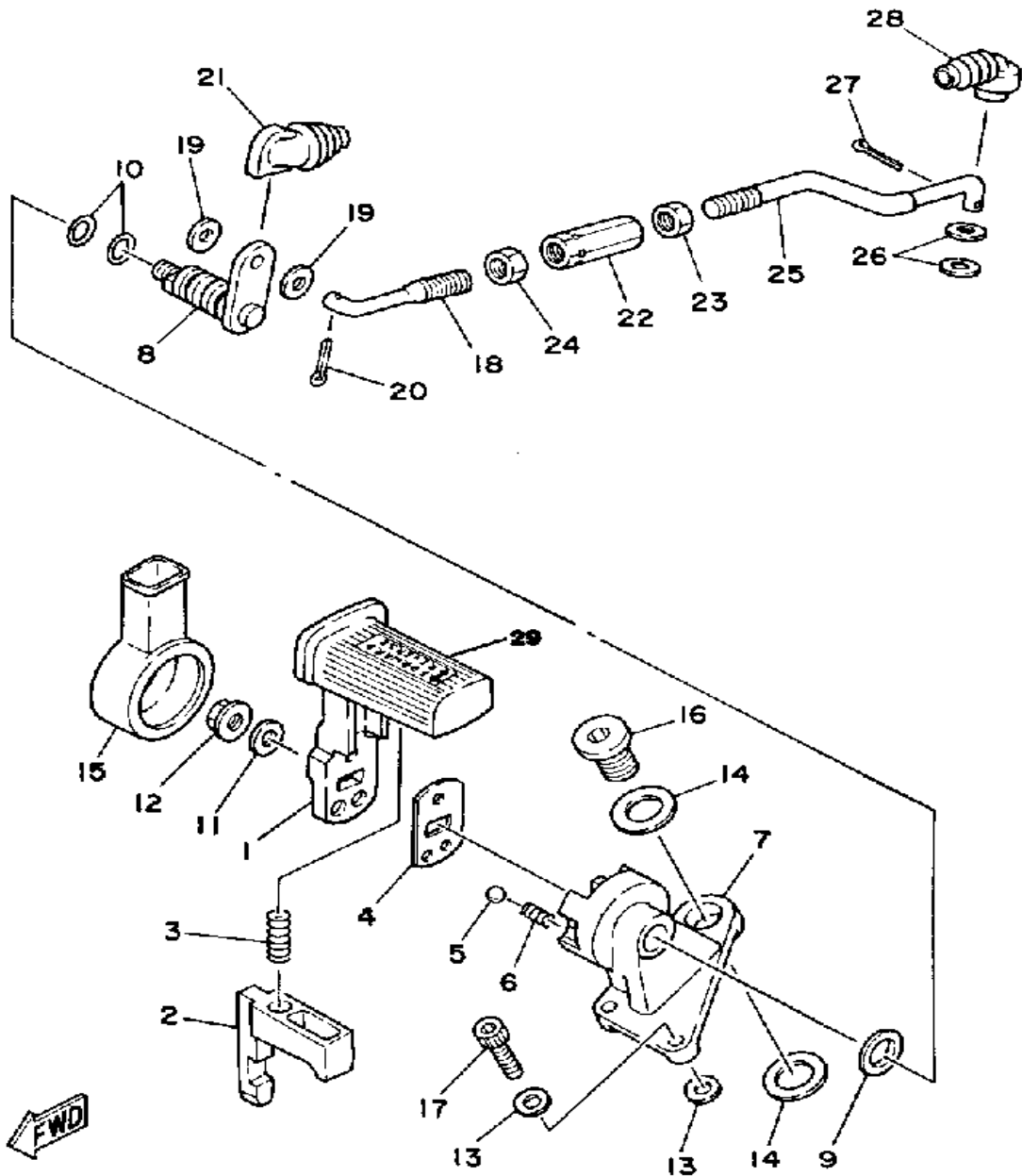


1EV110-5160

Ref. No.	Part Number	Description	Qty	Remarks
19	1EV-17551-00-00	HOUSING, BEARING .....	1	
20	93210-56589-00	O-RING .....	1	
21	97013-08025-00	BOLT .....	4	
22	92901-08600-00	WASHER, PLATE .....	4	
23	52G-18514-02-00	FORK, SHIFT 4 .....	1	
24	90501-101A5-00	SPRING, COMPRESSION .....	1	
25	93501-04011-00	BALL .....	1	
26	52G-18534-00-00	BAR, SHIFT FORK GUIDE .....	1	
27	52G-1812A-00-00	STOPPER SHAFT ASSEMBLY .....	1	
28	90201-10119-00	WASHER, PLATE .....	1	
29	90501-151A4-00	SPRING, COMPRESSION .....	1	
30	52G-18197-00-00	SHAFT .....	1	
31	99009-14400-00	CIRCLIP .....	1	
32	52G-18451-00-00	LEVER, SHIFT .....	1	
33	52G-18198-00-00	LEVER .....	1	
34	95816-06016-00	BOLT, FLANGE .....	1	
35	93102-14209-00	OIL SEAL .....	1	
36	93210-09350-00	O-RING .....	1	

# DRIVE SELECTOR

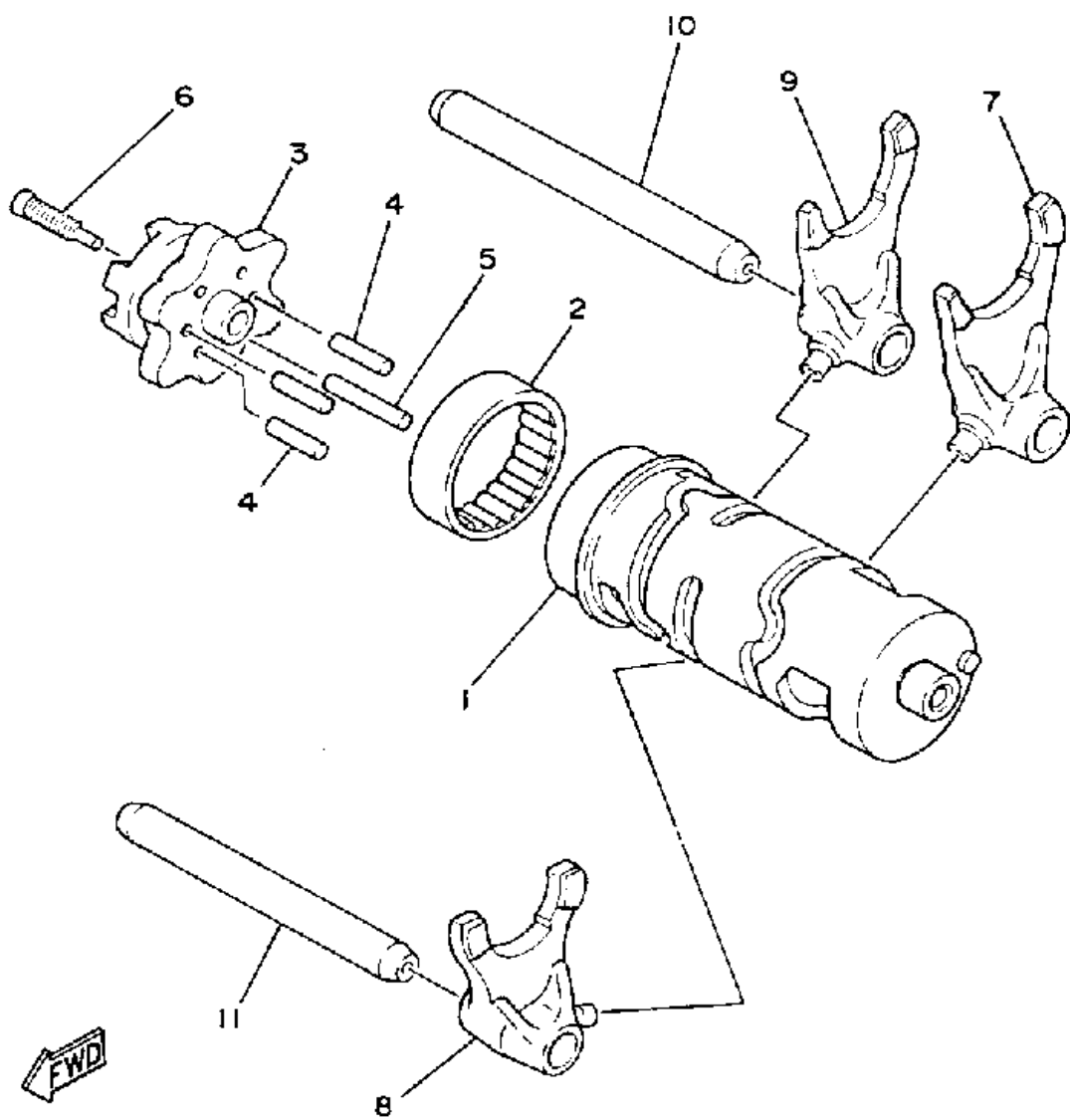
Ref. No.	Part Number	Description	Qty	Remarks
1	52G-18150-00-00	SHIFT LEVER ASSEMBLY	1	
2	52G-18174-00-00	KNOB, SHIFT LEVER	1	
3	90501-101A7-00	SPRING, COMPRESSION	1	
4	52G-18561-00-00	PLATE, SIDE 1	1	
5	93509-32012-00	BALL	1	
6	90501-103A1-00	SPRING, COMPRESSION	1	
7	52H-18153-00-00	GUIDE, SHIFT RETURN SPRING	1	
8	52H-18341-00-00	SHAFT, RINK	1	
9	90201-144J2-00	WASHER, PLATE	1	
10	93210-10096-00	O-RING	2	
11	90201-064J1-00	WASHER, PLATE	1	
12	95701-06500-00	NUT, FLANGE	1	
13	90201-063J3-00	WASHER, PLATE	4	
14	90201-143J4-00	WASHER, PLATE	2	
15	52G-18433-00-00	COVER, SHIFT SPRING	1	
16	90340-14107-00	PLUG, STRAIGHT SCREW	1	
17	91316-06020-00	BOLT	2	
18	52G-18117-00-00	JOINT, ROD 2	1	
19	92990-06200-00	WASHER, PLAIN	2	
20	91490-20020-00	PIN, COTTER (91401-20020-00)	1	
21	5R2-18154-00-00	COVER, DUST	1	
22	52G-18187-00-00	NUT, ADJUST	1	
23	95336-08600-00	NUT	1	
24	90170-08261-00	NUT	1	
25	52G-18116-00-00	JOINT, ROD 1	1	
26	92990-06200-00	WASHER, PLAIN	2	
27	91490-20020-00	PIN, COTTER (91401-20020-00)	1	
28	10W-18154-00-00	COVER, DUST	1	
29	52G-18113-00-00	COVER, SHIFT PEDAL	1	



1EV110-5170

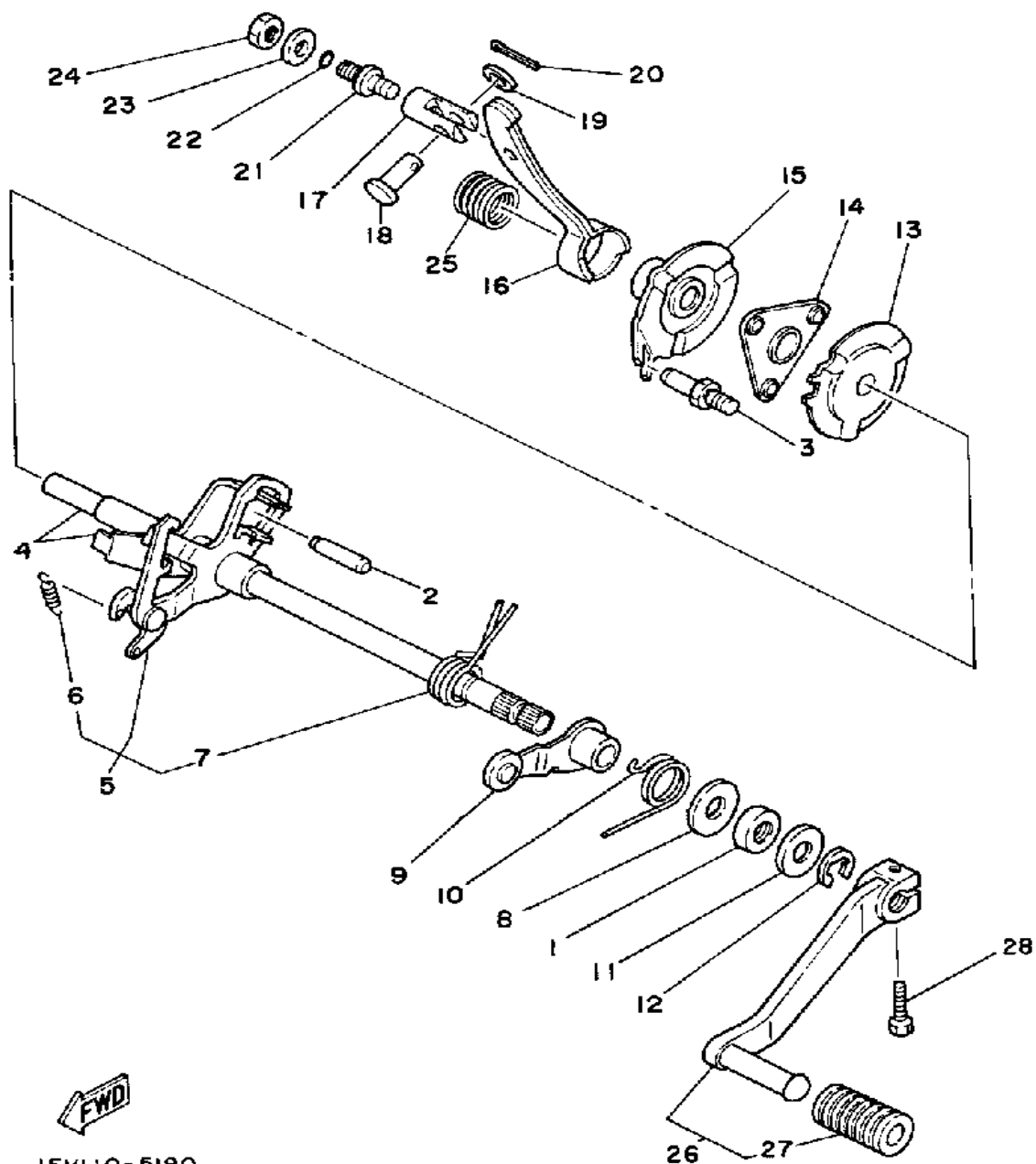
# SHIFT CAM - FORK

Ref. No.	Part Number	Description	Qty	Remarks
1	52G-18540-01-00	SHIFT CAM ASSEMBLY	1	
2	93315-23612-00	BEARING	1	
3	5H0-18185-01-00	SEGMENT	1	
4	93604-16092-00	PIN, DOWEL	4	
5	93604-20156-00	PIN, DOWEL	1	
6	90151-06013-00	SCREW, COUNTERSUNK	1	
7	5N0-18513-00-00	FORK, SHIFT 3	1	
8	5H0-18511-00-00	FORK, SHIFT 1	1	
9	5H0-18512-00-00	FORK, SHIFT 2	1	
10	5H0-18531-00-00	BAR, SHIF FRK GDE 1	1	
11	3Y1-18535-00-00	BAR, SHIF FRK GDE 2	1	



52G100-5180

# SHIFT SHAFT

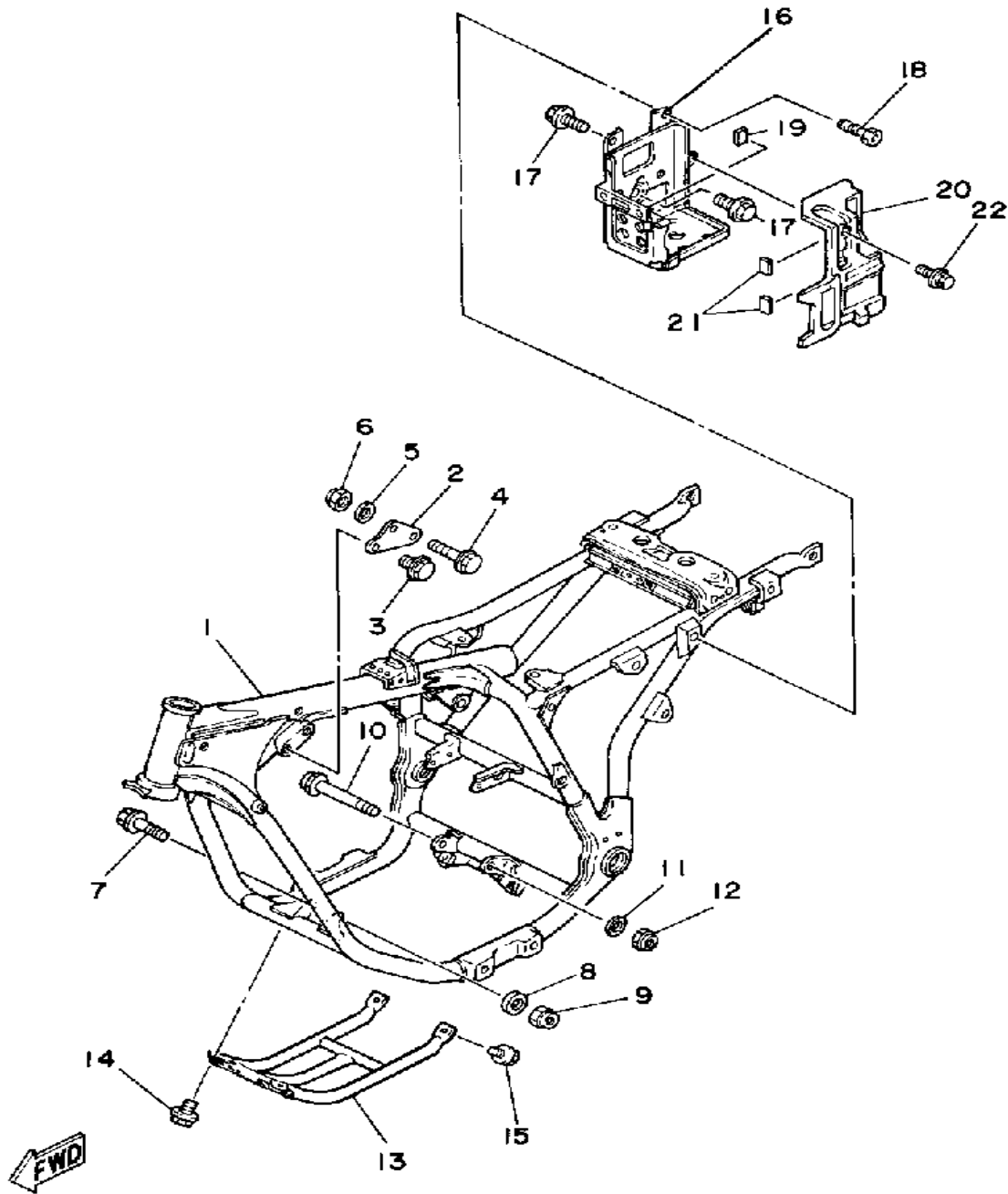


1EVI10-5190

Ref. No.	Part Number	Description	Qty	Remarks
1	93102-12321-00	OIL SEAL, SD-TYPE	1	
2	93608-30152-00	PIN, DOWEL	1	
3	21V-18177-00-00	BOLT, STOPPER	1	
4	29U-W1813-01-00	SHIFT SHAFT COMP.	1	
5	21V-18120-00-00	SHIFT LEVER ASSEMBLY	1	
6	90506-08227-00	. SPRING, TENSION	1	
7	90508-29570-00	. SPRING, TORSION	1	
8	90201-12588-00	WASHER, PLATE	2	
9	4G0-18140-00-00	STOPPER LEVER ASSEMBLY	1	
10	90508-26539-00	SPRING, TORSION	1	
11	90201-12575-00	WASHER, PLATE	1	
12	99009-12400-00	CIRCLIP	1	
13	24W-18179-00-00	GUIDE	1	
14	21V-18181-00-00	HOLDER, PAWL	1	
15	29U-18104-00-00	SHIFT, GUIDE	1	
16	2HT-1817A-00-00	ARM, SHIFT 3	1	
17	21V-18126-00-00	PIN, LEVER	1	
18	21V-18118-00-00	PIN, JOINT	1	
19	92901-08600-00	WASHER, PLATE	1	
20	91490-16020-00	PIN, COTTER (91402-16015)	1	
21	21V-18127-00-00	STOPPER, SCREW	1	
22	93210-07590-00	O-RING	1	
23	90201-08649-00	WASHER, PLATE	1	
24	95316-08700-00	NUT (2GV)	1	
25	90501-16768-00	SPRING, COMPRESSION	1	
26	52H-18110-01-00	SHIFT PEDAL ASSEMBLY	1	
27	132-18113-01-00	. COVER, SHIFT PEDAL	1	
28	97016-06020-00	BOLT	1	

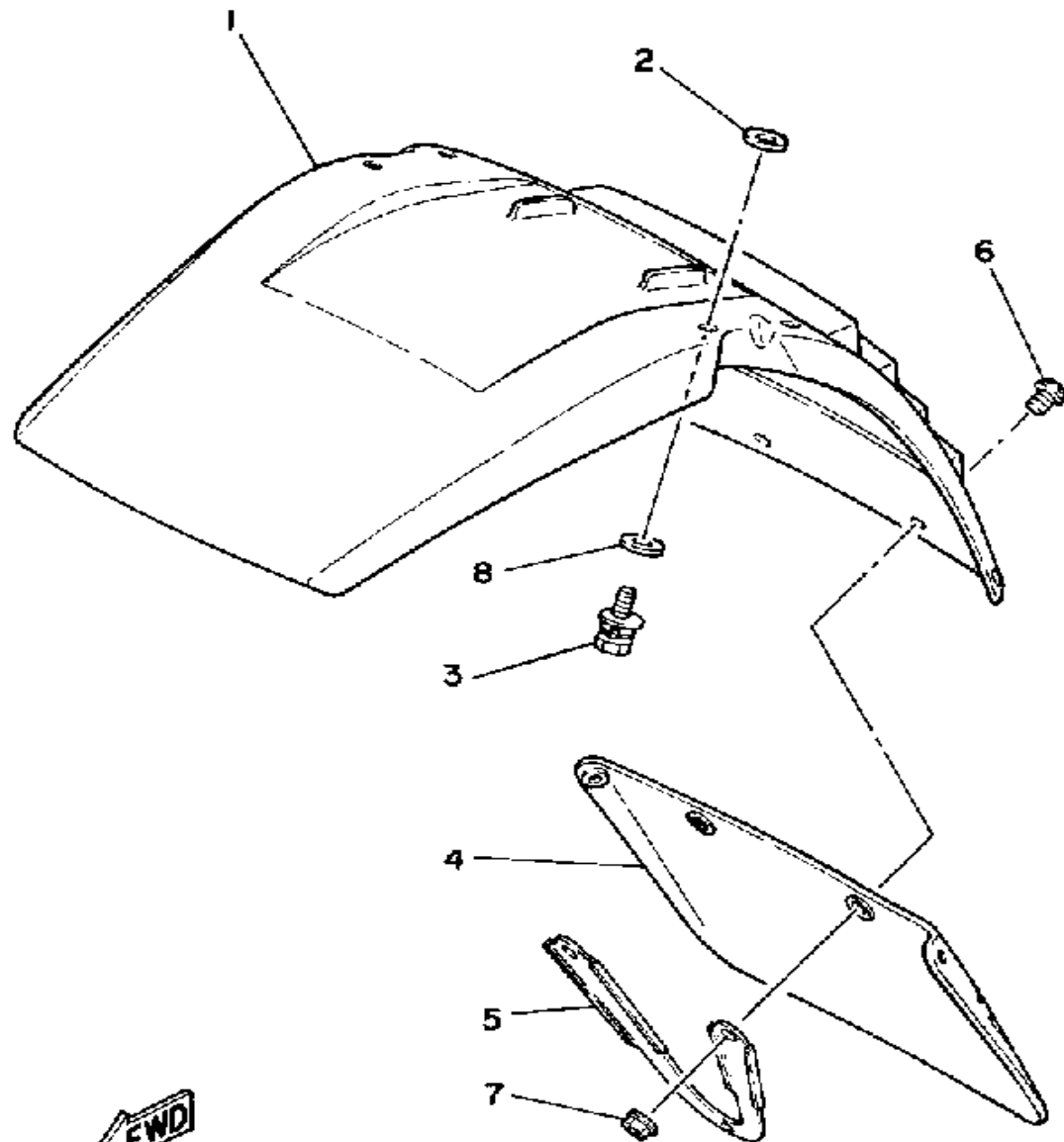
# FRAME

Ref. No.	Part Number	Description	Qty	Remarks
1	(1EV-21110-00-33)	FRAME .....	1	YAMAHA BLACK
2	29U-21315-00-00	STAY, ENGINE 2 .....	1	
3	95811-08012-00	BOLT, FLANGE (95801-08012-00) .....	2	
4	95811-08050-00	BOLT, FLANGE (95823-08050) .	1	
5	90201-094G1-00	WASHER, PLATE .....	1	
6	90185-08089-00	NUT, SELF-LOCKING .....	1	
7	95811-08065-00	BOLT, FLANGE .....	1	
8	90201-094G1-00	WASHER, PLATE .....	1	
9	90185-08089-00	NUT, SELF-LOCKING .....	1	
10	95811-08105-00	BOLT, FLANGE (95812-08105) .	2	
11	90201-094G1-00	WASHER, PLATE .....	2	
12	90185-08089-00	NUT, SELF-LOCKING .....	2	
13	29U-21471-00-33	PROTECTOR, ENGINE .....	1	YAMAHA BLACK
14	95811-08012-00	BOLT, FLANGE (95801-08012-00) .....	2	
15	95811-06012-00	BOLT, FLANGE (95801-06012) .	2	
16	1EV-21170-00-00	BOX .....	1	
17	95811-06012-00	BOLT, FLANGE (95801-06012) .	2	
18	90153-06034-00	SCREW, HEXAGON .....	1	
19	3FC-2139R-00-00	COVER 2 .....	1	
20	24W-21245-00-00	BOX .....	1	
21	3FC-2139R-00-00	COVER 2 .....	2	
22	90119-06056-00	BOLT, WITH WASHER .....	1	



1EV110-5200

# FRONT FENDER

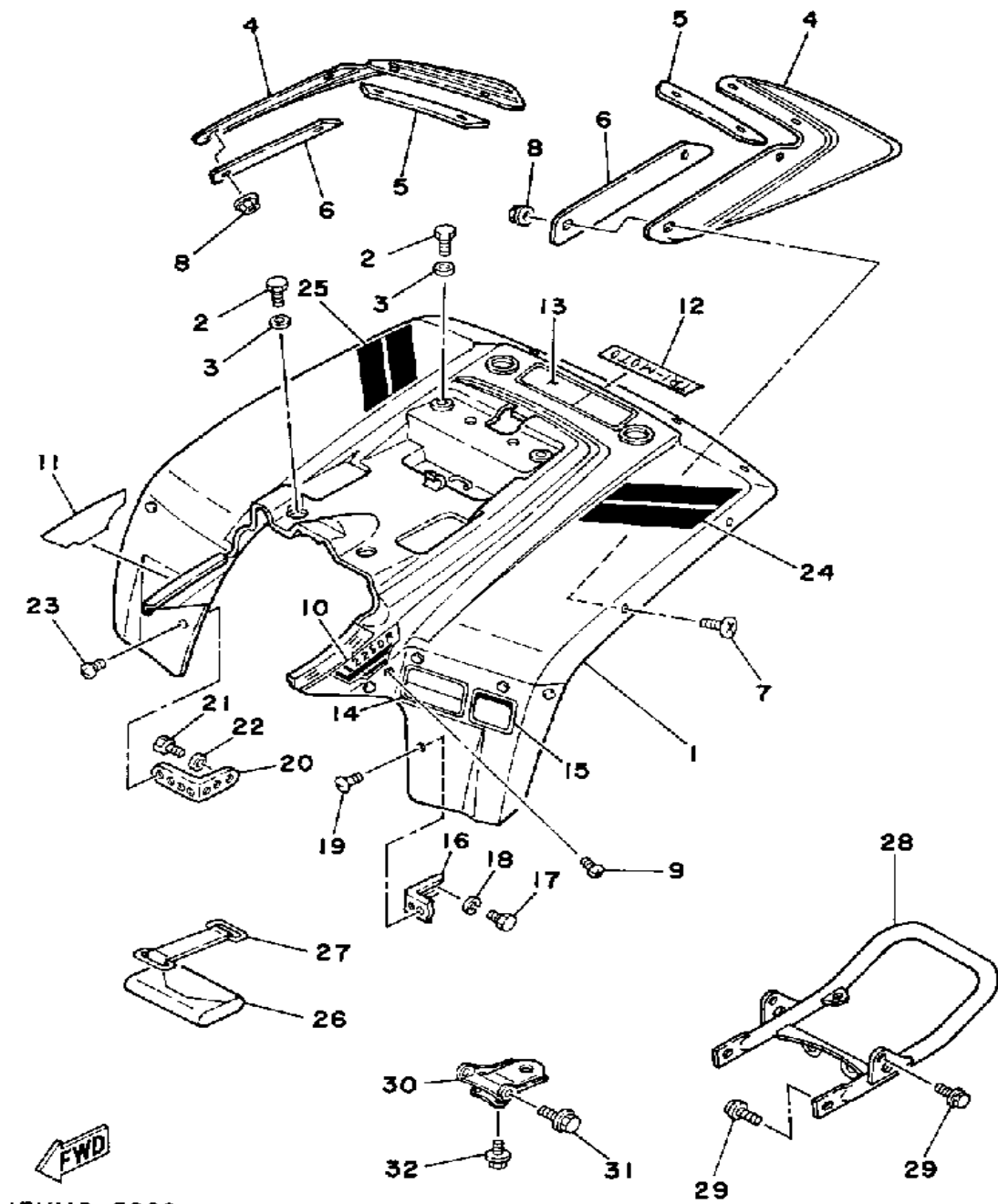


1EVI10-5210

Ref. No.	Part Number	Description	Qty	Remarks
1	29U-21511-00-00	FENDER, FRONT .....	1	UR COMP. YEL
	29U-21511-20-00	FENDER, FRONT .....	1	UR SKY BLUE
	29U-21511-30-00	FENDER, FRONT .....	1	UR YAMAHA BLK
2	90209-06187-00	WASHER .....	4	
3	90119-06063-00	BOLT, WITH WASHER .....	4	
4	29U-21521-00-00	FLAP, FRONT FENDER .....	1	
5	29U-21523-00-00	PLATE 1 .....	1	
6	90154-05059-00	SCREW, BINDING .....	4	
7	95701-05500-00	NUT, FLANGE .....	4	
8	90201-05029-00	WASHER, PLATE .....	4	

# REAR FENDER

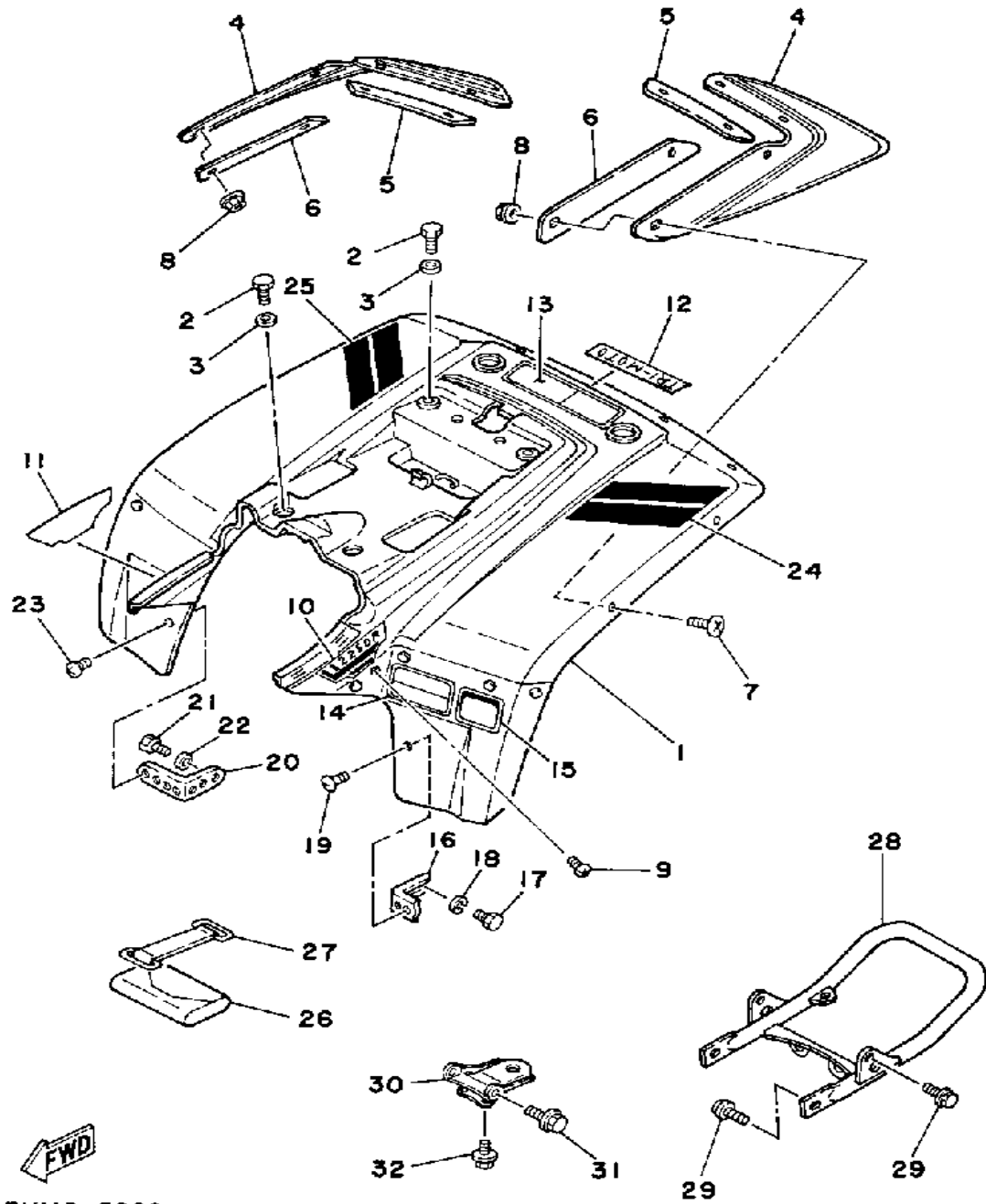
Ref. No.	Part Number	Description	Qty	Remarks
1	29U-21600-01-00	REAR FENDER ASSEMBLY ...	1	UR COMP. YEL
	29U-21600-30-00	REAR FENDER ASSEMBLY ...	1	UR YAMAHA BLK
	2FH-21600-01-00	REAR FENDER .....	1	UR SKY BLUE
2	97313-06016-00	BOLT .....	4	
3	90201-06073-00	WASHER, PLATE .....	4	
4	29U-21621-00-00	FLAP .....	2	
5	29U-21623-00-00	PLATE, FLAP FTNG 1 .....	2	
6	29U-21624-00-00	PLATE, FLAP FTNG 2 .....	2	
7	90154-05059-00	SCREW, BINDING .....	8	
8	95701-05500-00	NUT, FLANGE .....	8	
9	90154-05005-00	SCREW, BINDING .....	2	
10	1EV-2163G-00-00	EMBLEM 1 .....	1	UR FOR CPY
	1EV-2163G-20-00	EMBLEM 1 .....	1	UR FOR SYB
	1EV-2163G-30-00	EMBLEM 1 .....	1	UR FOR YB
11	1EV-2163H-00-00	EMBLEM 2 .....	1	UR FOR CPY
	1EV-2163H-20-00	EMBLEM 2 .....	1	UR FOR SYB
	1EV-2163H-30-00	EMBLEM 2 .....	1	UR FOR YB
12	24W-21784-30-00	EMBLEM 4 .....	1	UR FOR SYB
	29U-21784-30-00	EMBLEM 4 .....	1	UR FOR YB
	3X3-21784-00-00	EMBLEM 4 .....	1	UR FOR CPY
13	(1EV-21659-00-00)	LABEL, SAFETY .....	1	
	(1EV-21659-30-00)	LABEL, SAFETY .....	1	UR FOR YB
14	52G-21696-00-00	LABEL, CAUTION .....	1	
15	1EV-24877-00-00	LABEL, CAUTION .....	1	
16	29U-21613-00-00	STAY, FENDER 1 .....	1	
17	97013-06012-00	BOLT .....	2	
18	92995-06100-00	WASHER, SPRING .....	2	
19	90154-05005-00	SCREW, BINDING .....	1	
20	29U-21614-00-00	STAY, FENDER 2 .....	1	



CONTINUED ON NEXT FRAME ►

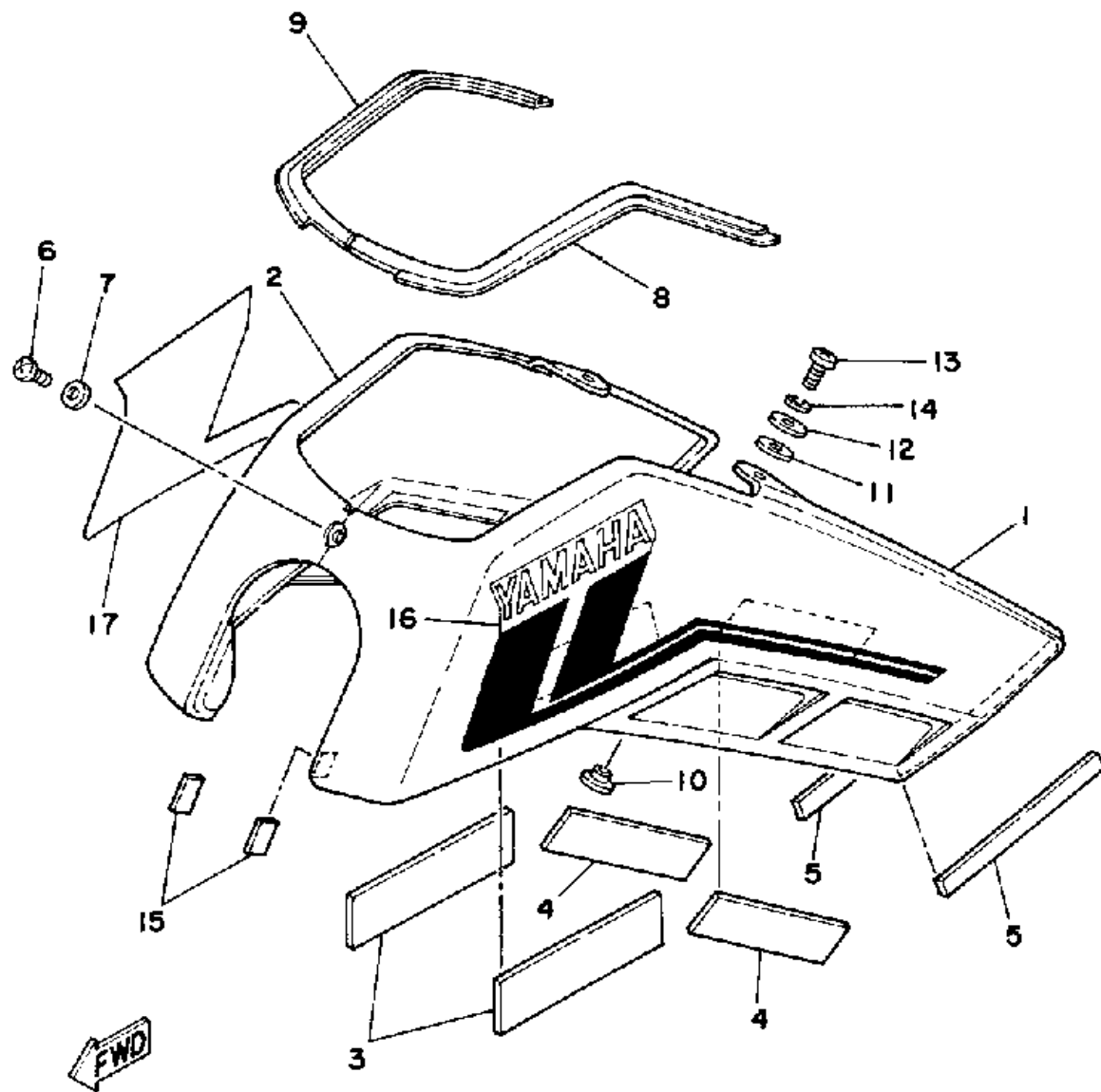
# REAR FENDER

Ref. No.	Part Number	Description	Qty	Remarks
21	97013-06012-00	BOLT	2	
22	92995-06100-00	WASHER, SPRING	2	
23	90154-05005-00	SCREW, BINDING	1	
24	1EV-21661-00-00	GRPHC, R/FNDR CVR L	1	
	1EV-21661-30-00	GRPHC, R/FNDR CVR L	1	UR FOR YB
25	1EV-21662-00-00	GRPHC, R/FNDR CVR R	1	
	1EV-21662-30-00	GRPHC, R/FNDR CVR R	1	UR FOR YB
26	59V-28100-00-00	TOOL KIT (24W-28100-00)	1	
27	21V-21376-00-00	BAND, TOOL	1	
28	2FW-28421-10-00	BUMPER, REAR 1	1	
29	95811-08016-00	BOLT, FLANGE	4	
30	29U-28488-00-00	HOOK	1	ALT. PART
31	95821-10014-00	BOLT, FLANGE (95801-10014-00)	2	ALT. PART
32	95811-08012-00	BOLT, FLANGE (95801-08012-00)	2	ALT. PART



1EV110-5220

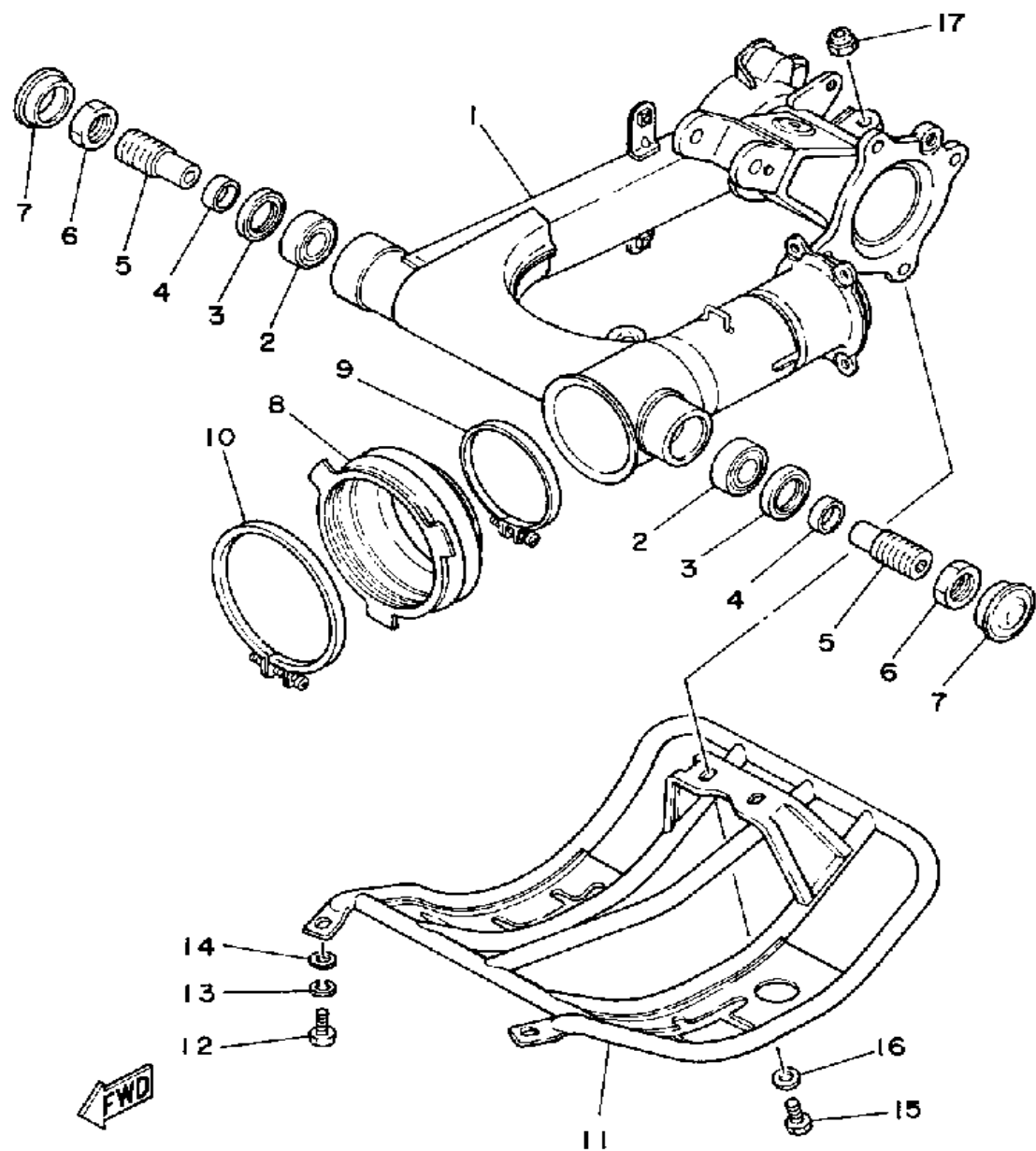
# SIDE COVER



1EVI10-5230

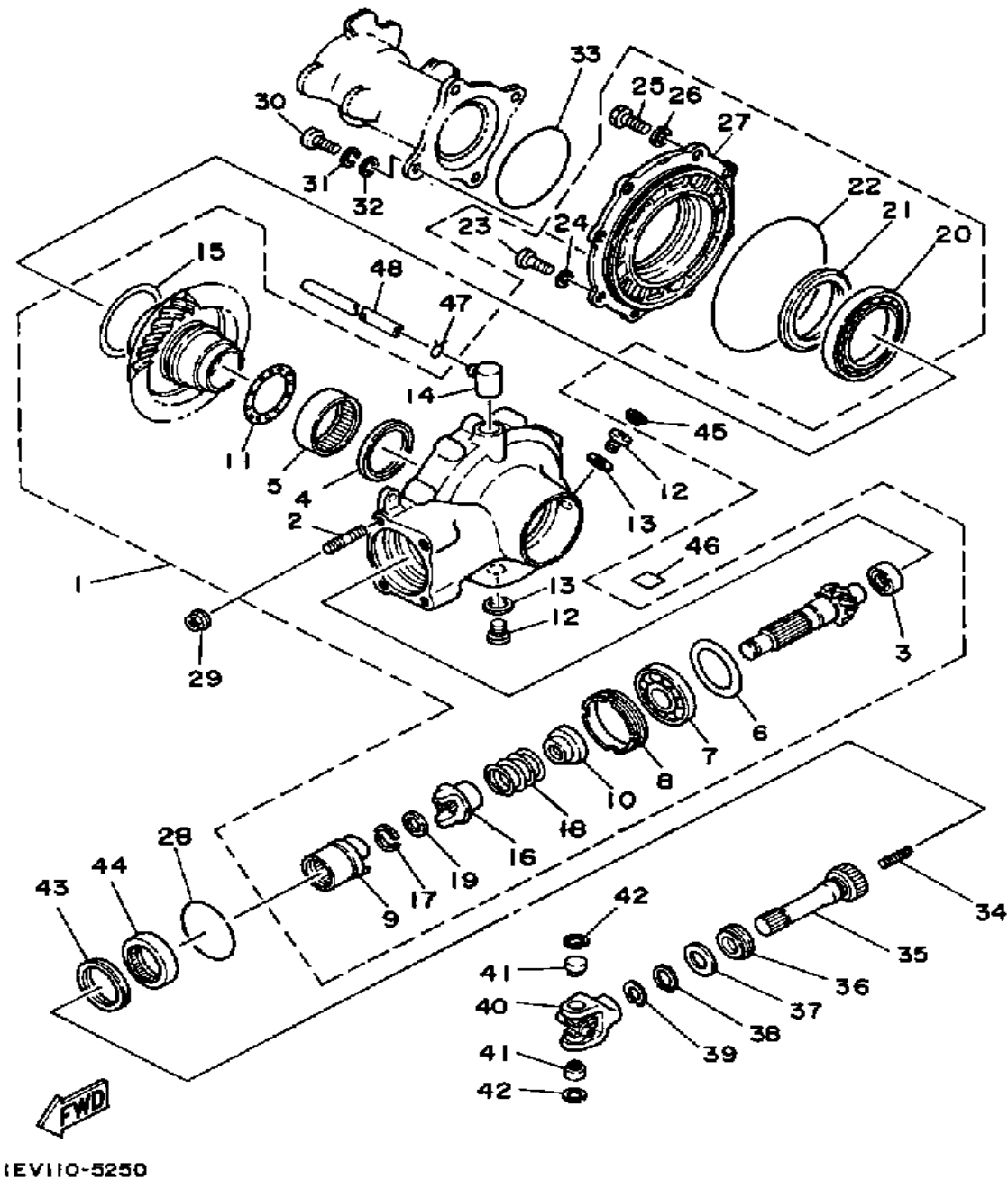
Ref. No.	Part Number	Description	Qty	Remarks
1	29U-W2176-00-00	SIDE COVER 1 .....	1	UR COMP. YEL
	29U-W2176-20-00	SIDE COVER 1 .....	1	UR SKY BLUE
	29U-W2176-30-00	SIDE COVER 1 .....	1	UR YAMAHA BLK
2	29U-W2177-00-00	SIDE COVER 2 .....	1	UR COMP. YEL
	29U-W2177-20-00	SIDE COVER 2 .....	1	UR SKY BLUE
	29U-W2177-30-00	SIDE COVER 2 .....	1	UR YAMAHA BLK
3	(3X3-21746-00-00)	DAMPER .....	2	
4	(29U-21746-00-00)	DAMPER .....	2	
5	3CV-28371-00-00	DAMPER .....	2	
6	98903-06012-00	SCREW, BIND .....	1	
7	90201-06062-00	WASHER, PLATE .....	1	
8	29U-2171L-00-00	MOLD, SIDE COVER 1 .....	1	
9	29U-2171M-00-00	MOLD, SIDE COVER 2 .....	1	
10	90387-07789-00	COLLAR .....	2	
11	90201-104G5-00	WASHER, PLATE .....	2	
12	90201-06073-00	WASHER, PLATE .....	2	
13	98580-06020-00	SCREW, PAN HEAD .....	2	
14	92995-06100-00	WASHER, SPRING .....	2	
15	(29U-21717-00-00)	DAMPER .....	2	
16	(1EV-21781-00-00)	EMBLEM 1 .....	1	UR FOR CPY
	(1EV-21781-20-00)	EMBLEM 1 .....	1	UR FOR SYB
	1EV-21781-30-00	EMBLEM 1 .....	1	UR FOR YB
17	(1EV-21782-00-00)	EMBLEM 2 .....	1	UR FOR CPY
	(1EV-21782-20-00)	EMBLEM 2 .....	1	UR FOR SYB
	1EV-21782-30-00	EMBLEM 2 .....	1	UR FOR YB

# SWING ARM



Ref. No.	Part Number	Description	Qty	Remarks
1	1EV-22110-00-33	REAR ARM	1	YAMAHA BLK
2	93332-00010-00	BEARING	2	
3	93102-25017-00	OIL SEAL	2	
4	90387-17543-00	COLLAR	2	
5	29U-22141-00-00	SHAFT, PIVOT	2	
6	1J7-22143-00-00	NUT	2	
7	90338-34069-00	PLUG	2	
8	29U-22189-00-00	BOOT, RUBBER	1	
9	90460-80229-00	CLAMP, HOSE	1	
10	90460-99228-00	CLAMP, HOSE	1	
11	29U-2219X-00-00	COVER	1	
12	97313-08016-00	BOLT, HEXAGON	2	
13	92990-08100-00	WASHER, SPRING	2	
14	92901-08600-00	WASHER, PLATE	2	
15	97313-08016-00	BOLT, HEXAGON	2	
16	90201-094G1-00	WASHER, PLATE	2	
17	90185-08089-00	NUT, SELF-LOCKING	2	

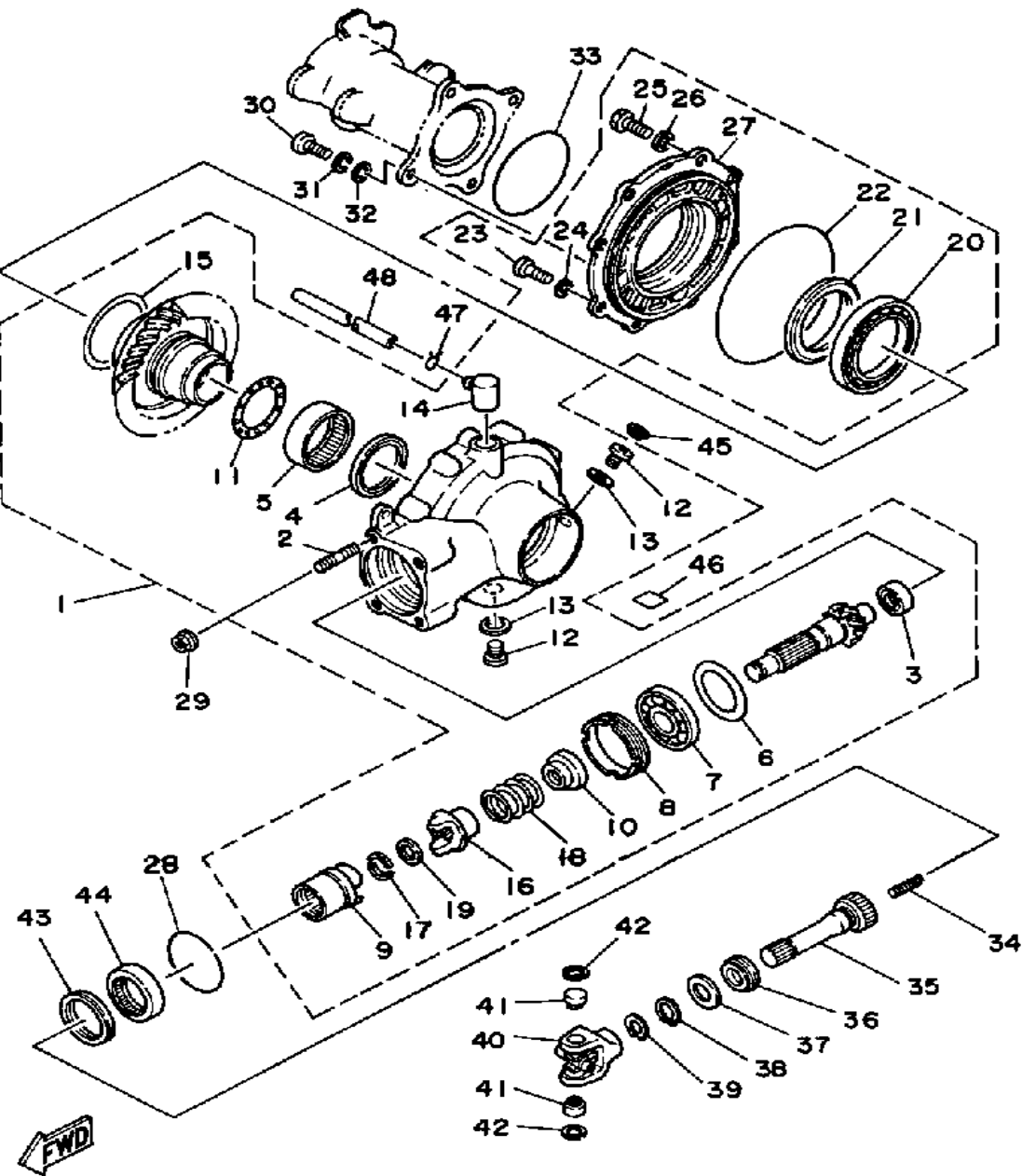
# DRIVE SHAFT



1EV110-5250

Ref. No.	Part Number	Description	Qty	Remarks
1	1EV-46101-01-00	RR AXL GR CASE ASSEMBLY	1	
2	90116-08360-00	. BOLT, STUD	4	
3	24W-46102-00-00	. BEARING ASSEMBLY	1	
4	93101-52116-00	. OIL SEAL	1	
5	93317-55542-00	. BEARING, CYLINDER.# 7	1	U.R.
	93317-85569-00	. BEARING	1	U.R.
6	1J7-17537-Y0-30	. SHIM, THRUST (0.30T)	1	U.R.
	1J7-17537-Y0-40	. SHIM, THRUST (0.40T)	1	U.R.
	1J7-17537-Y0-50	. SHIM, THRUST (0.50T)	1	U.R.
7	93306-30560-00	. BEARING	1	
8	24W-46125-00-00	. RETAINER, BEARING	1	
9	1NU-46123-00-00	. COUPLING, GEAR (52G-46123-00)	1	
10	52G-17524-00-00	. HOLDER	1	
11	24W-46118-00-12	. WASHER, THRUST (1.2T)	1	U.R.
	24W-46118-00-14	. WASHER, THRUST (1.4T)	1	U.R.
	24W-46118-00-16	. WASHER, THRUST (1.6T)	1	U.R.
	24W-46118-00-18	. WASHER, THRUST (1.8T)	1	U.R.
	24W-46118-00-20	. WASHER, THRUST (2.0T)	1	U.R.
12	90340-14046-00	. PLUG, STRAIGHT SCREW	2	
13	214-11198-01-00	. GASKET	2	
14	2H7-17591-01-00	. BREATHER	1	
15	24W-46117-00-25	. SHIM, RING GEAR (0.25T)	1	U.R.
	24W-46117-00-30	. SHIM, RING GEAR (0.30T)	1	U.R.
	24W-46117-00-40	. SHIM, RING GEAR (0.40T)	1	U.R.
	24W-46117-00-50	. SHIM, RING GEAR (0.50T)	1	U.R.
16	1EV-17527-00-00	. CAM, DRIVEN	1	
17	52G-17529-00-00	. WASHER, THRUST	2	
18	90501-655A6-00	. SPRING, COMPRESSION	1	

CONTINUED ON NEXT FRAME ►



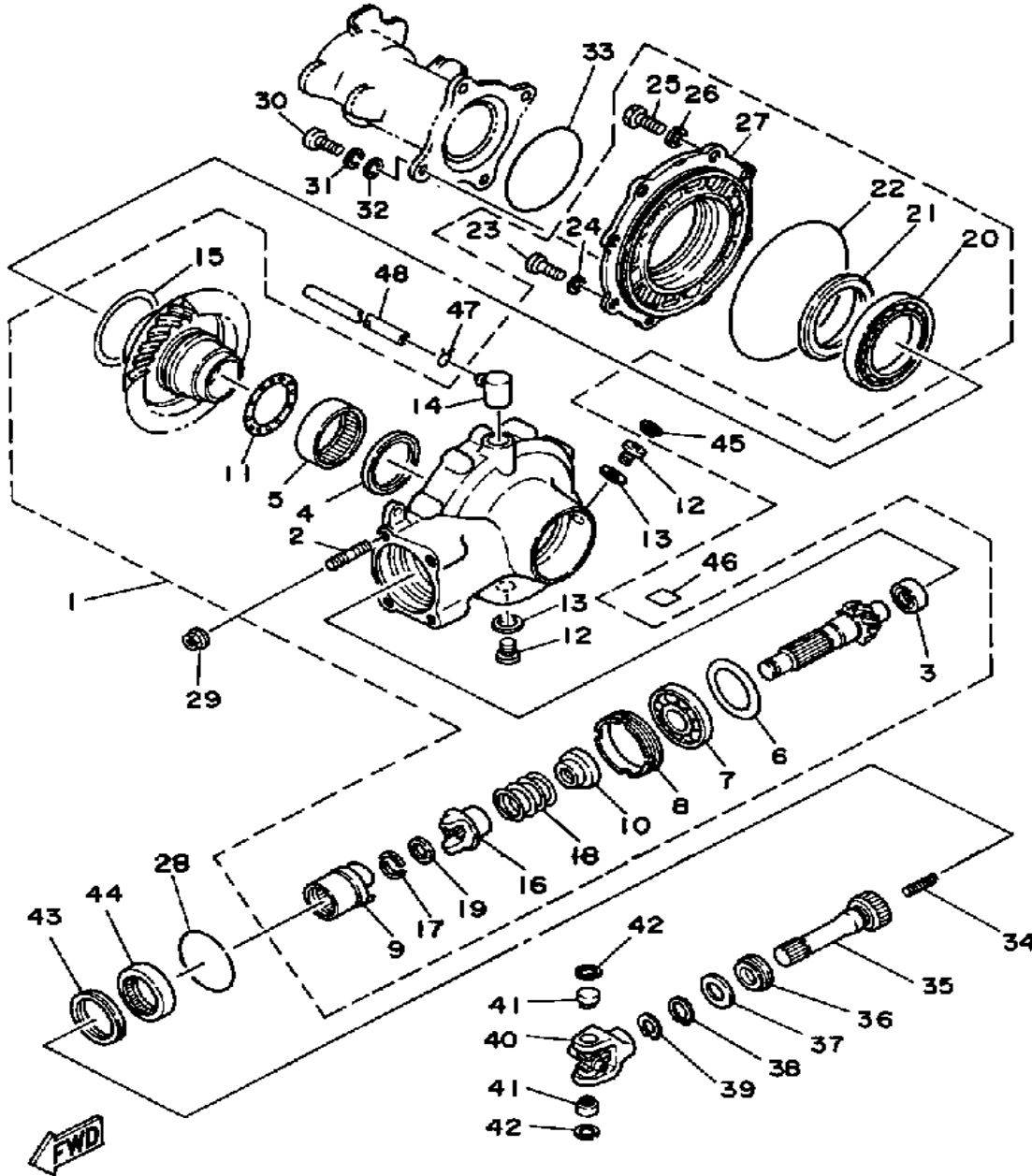
1EV110-5250

# DRIVE SHAFT

Ref. No.	Part Number	Description	Qty	Remarks
19	90201-171J5-00	. WASHER, PLATE	1	
20	93316-01301-00	. BEARING	1	
21	93102-65277-00	. OIL SEAL	1	
22	93211-44348-00	. O-RING	1	
23	97013-08025-00	. BOLT	6	
24	92901-08600-00	. WASHER, PLATE	6	
25	97011-10025-00	. BOLT	2	
26	92990-10600-00	. WASHER, PLATE	2	
27	(29U-46152-00-00)	HOUSING, BEARING	1	
28	93210-59531-00	O-RING	1	
29	95701-08500-00	NUT, FLANGE (95702-08500)	4	
30	97011-10025-00	BOLT	4	
31	92990-10100-00	WASHER, SPRING	4	
32	92990-10600-00	WASHER, PLATE	4	
33	93210-85075-00	O-RING	1	
34	90501-132A0-00	SPRING, COMPRESSION	1	
35	1EV-46172-00-00	SHAFT, DRIVE	1	
36	93108-35012-00	OIL SEAL, OSO-TYPE	1	
37	90201-213J1-00	WASHER, PLATE	1	
38	93410-20070-00	CIRCLIP, S-TYPE	1	
39	99009-20400-00	CIRCLIP	1	
40	1EV-46180-00-00	CROSS JOINT COMP.	1	
41	93311-21059-00	BEARING, CYLINDER. (1EV)	2	
42	99009-20500-00	CIRCLIP	2	
43	93101-40129-00	OIL SEAL, S-TYPE	1	
44	93315-64037-00	BEARING, CYLINDER.# 5	1	
45	341-23469-00-00	CAP, BOLT	1	
46	4H7-46181-10-00	LABEL, OIL CAUTION	1	
47	90467-07029-00	CLIP	1	

CONTINUED ON NEXT FRAME ►

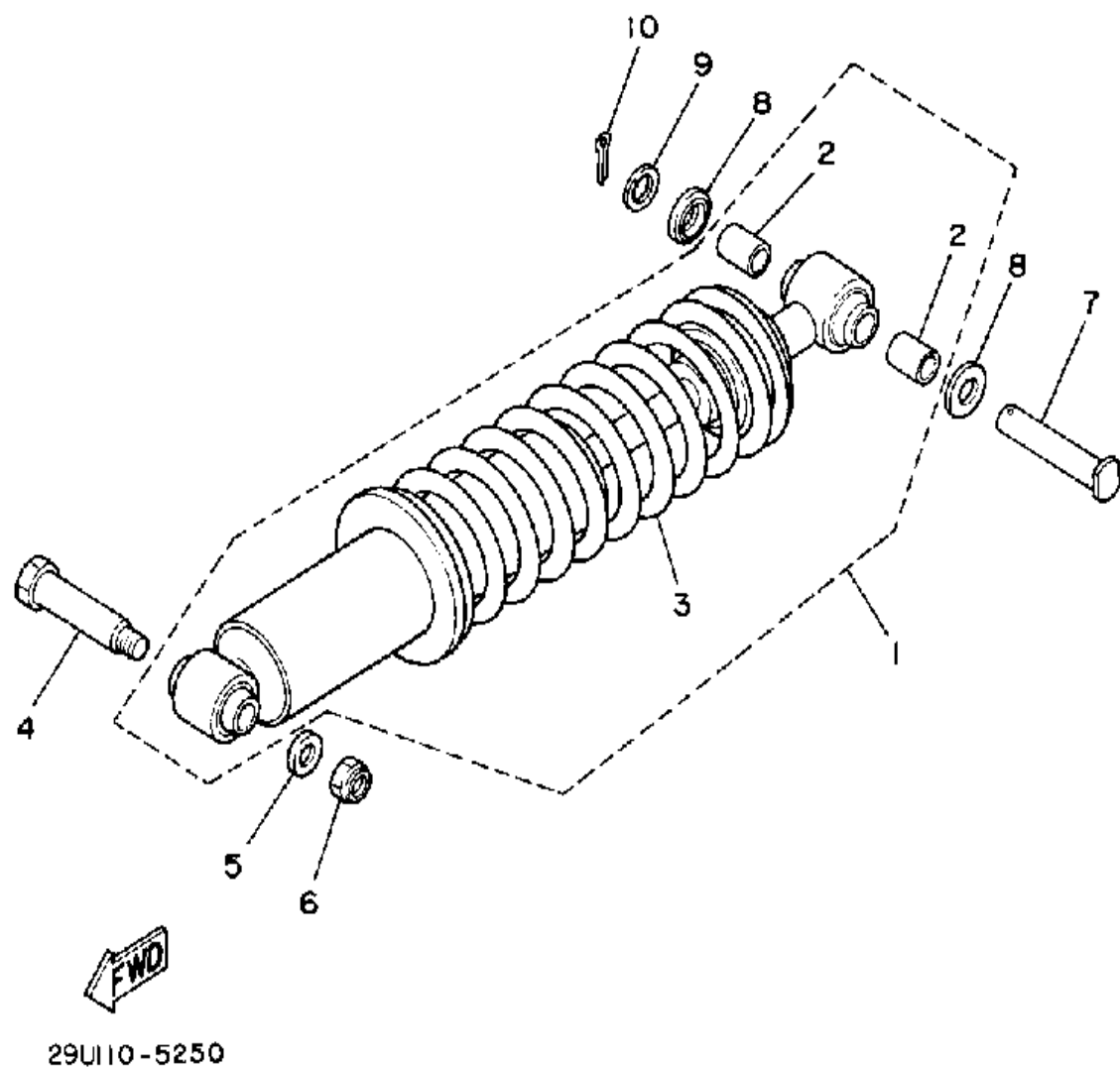
# DRIVE SHAFT



1EV110-5250

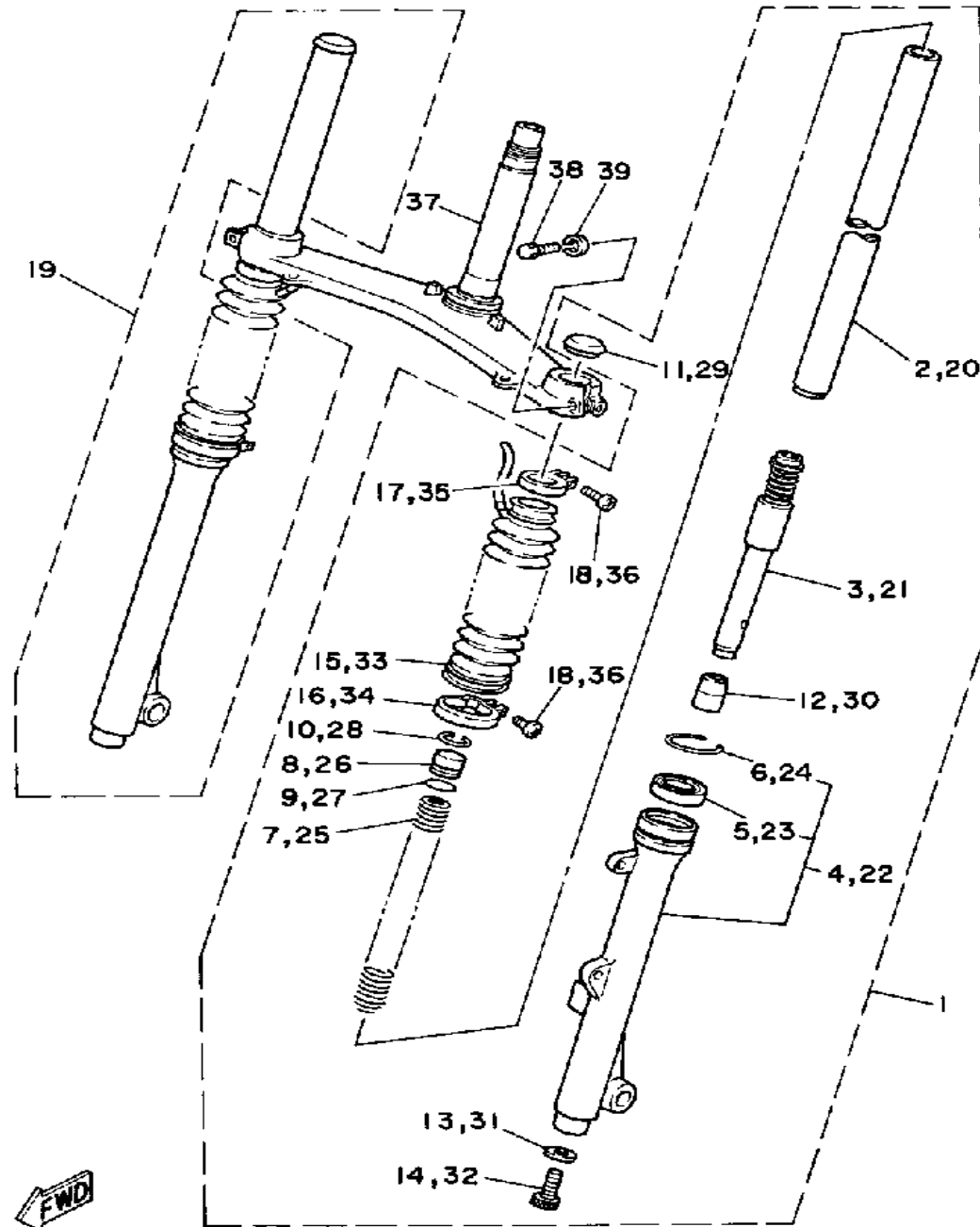
Ref. No.	Part Number	Description	Qty	Remarks
48	90445-07745-00	HOSE .....	1	

# REAR SHOCKS



Ref. No.	Part Number	Description	Qty	Remarks
1	29U-22210-01-33	SHK/ABS ASSEMBLY, REARASSEMBLY, REAR .....	1	YAMAHA BLK
2	90380-12051-00	. BUSH, SOLID .....	2	
3	(29U-22212-01-33)	SPRING, HARD .....	1	STDYAMAHA BLK
	29U-22212-10-33	. SPRING, SOFT .....	1	ALT. PARTYAMAHA BLK
4	90109-10736-00	BOLT .....	1	
5	90201-102G9-00	WASHER, PLATE .....	1	
6	95601-10100-00	NUT, U (95602-10100-00) .....	1	
7	90240-12092-00	PIN, CLEVIS .....	1	
8	1W1-22128-00-00	COVER, THRUST 1 .....	2	
9	92990-12600-00	WASHER, PLATE .....	1	
10	91401-30030-00	PIN, COTTER .....	1	

# FRONT FORK

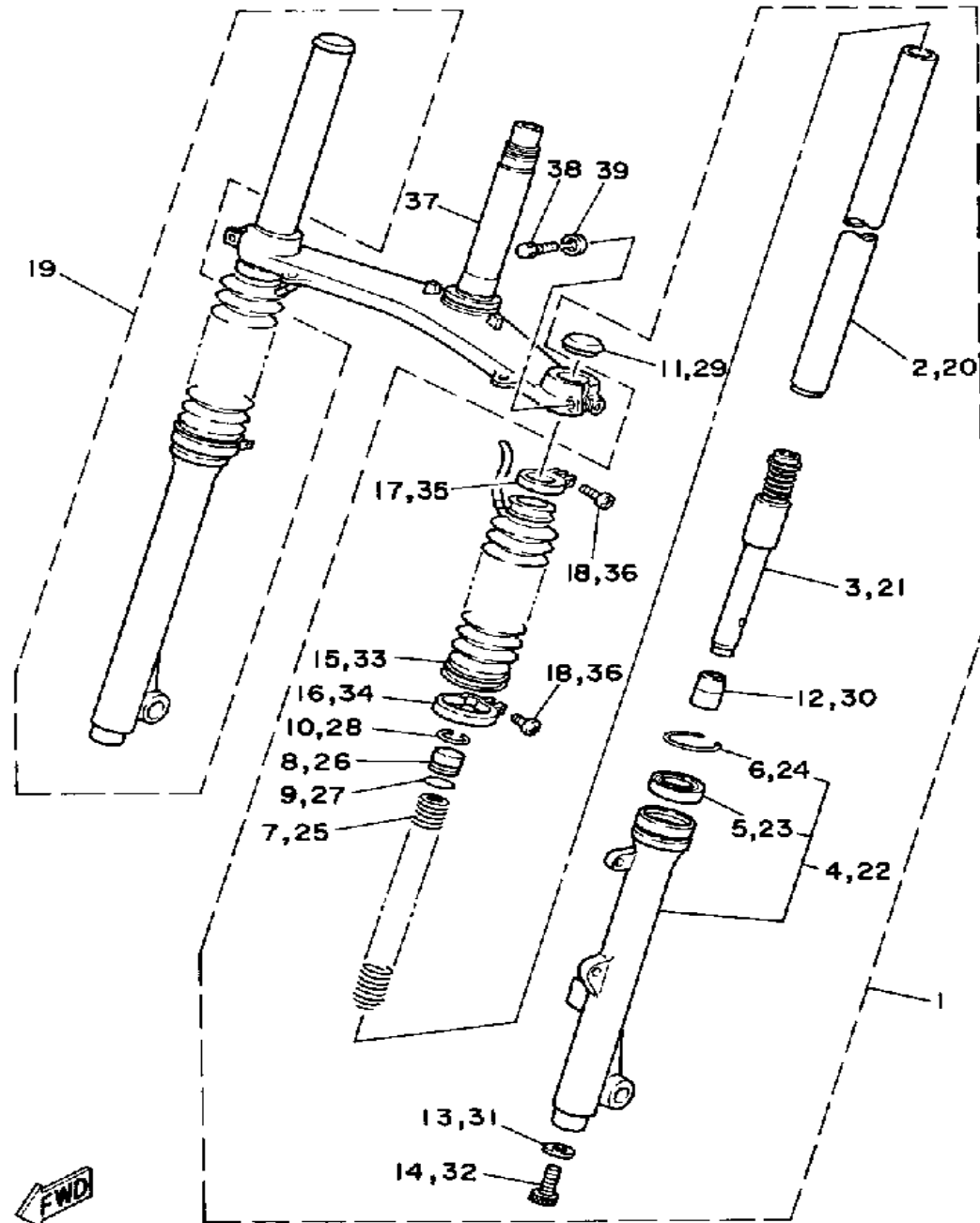


29U110-5270

Ref. No.	Part Number	Description	Qty	Remarks
1	29U-23102-00-35	FRONT FORK ASSEMBLY LASSEMBLY (L.H.)	1	SILVER
	29U-23102-00-98	FRONT FORK ASSEMBLY L	1	BLACK
2	29U-23110-00-00	. INNER TUBE 1COMP. 1	1	
3	29U-23170-00-00	. CYLINDER, FRTFRKFRONT FORK	1	
4	29U-23106-00-35	. OUTER TUBE LHCOMP. (L.H.)	1	SILVER
	29U-23106-00-98	. OUTER TUBE LH	1	BLACK
5	93110-30013-00	. . OIL SEAL, SWO-TYPE	1	
6	93450-43072-00	. . CIRCLIP, INNER	1	
7	29U-23141-00-00	. SPRING, FRONT FORK	1	
8	5H5-23111-00-00	. BOLT, CAP	1	
9	93210-21276-00	. O-RING	1	
10	93450-27071-00	. CIRCLIP, INNER	1	
11	5H5-23154-00-00	. PLUG, INNER TUBE	1	
12	5H5-23173-00-00	. SPINDLE, TAPER	1	
13	90430-08155-00	. GASKET (29U)	1	
14	91311-08025-00	. BOLT, SOCKET HEAD	1	
15	29U-2312A-00-00	. BOOT	1	
16	90460-52259-00	. CLAMP, HOSE	1	
17	90460-35260-00	. CLAMP, HOSE	1	
18	98506-04020-00	. SCREW, PAN HEAD	2	
19	29U-23103-00-35	FRONT FORK ASSEMBLY RASSEMBLY (R.H.)	1	SILVER
	29U-23103-00-98	FRONT FORK ASSEMBLY R	1	BLACK
20	29U-23110-00-00	. INNER TUBE 1COMP. 1	1	
21	29U-23170-00-00	. CYLINDER, FRTFRKFRONT FORK	1	
22	29U-23107-00-35	. OUTER TUBE RHCOMP. (R.H.)	1	SILVER
	29U-23107-00-98	. OUTER TUBE RH	1	BLACK

CONTINUED ON NEXT FRAME ►

# FRONT FORK

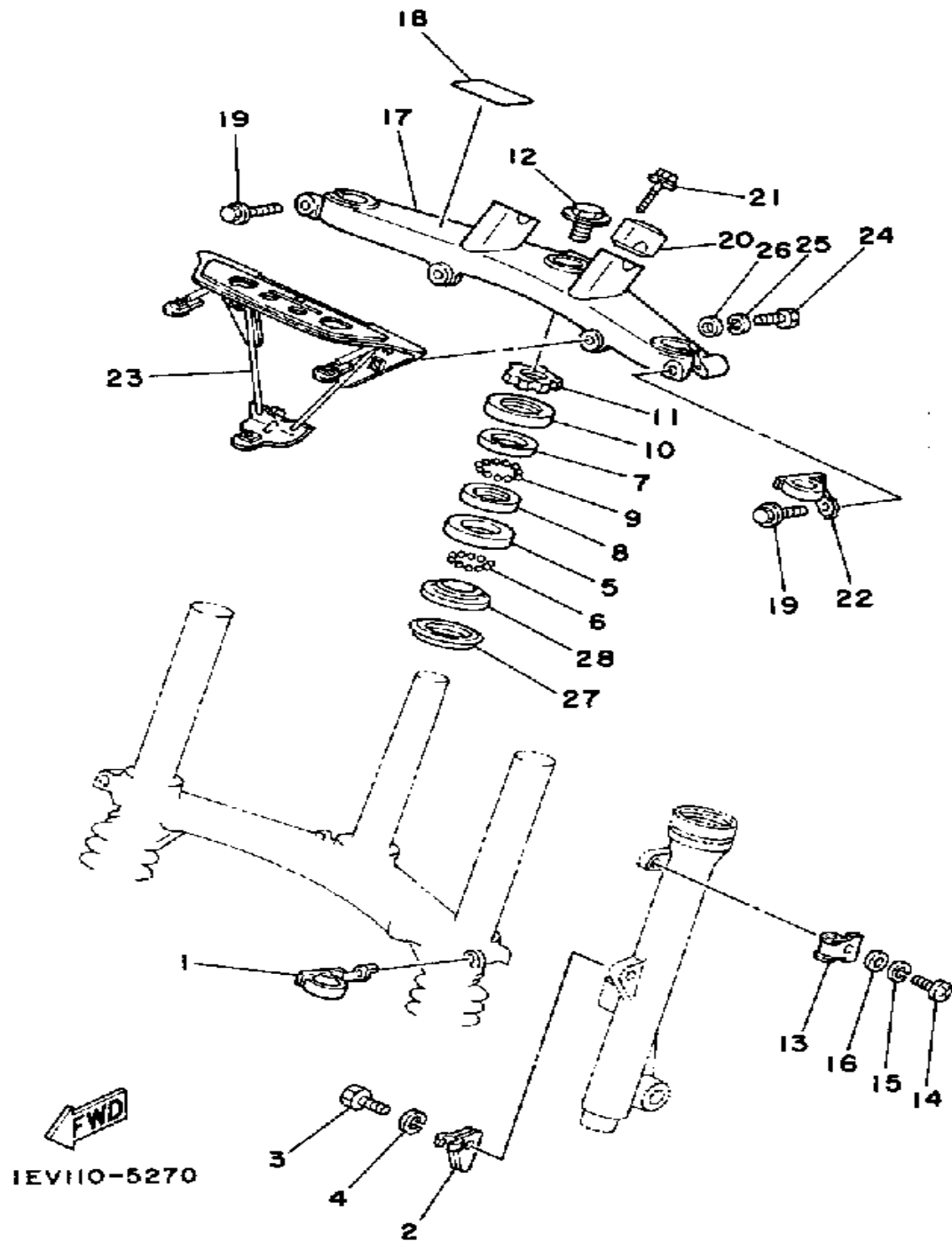


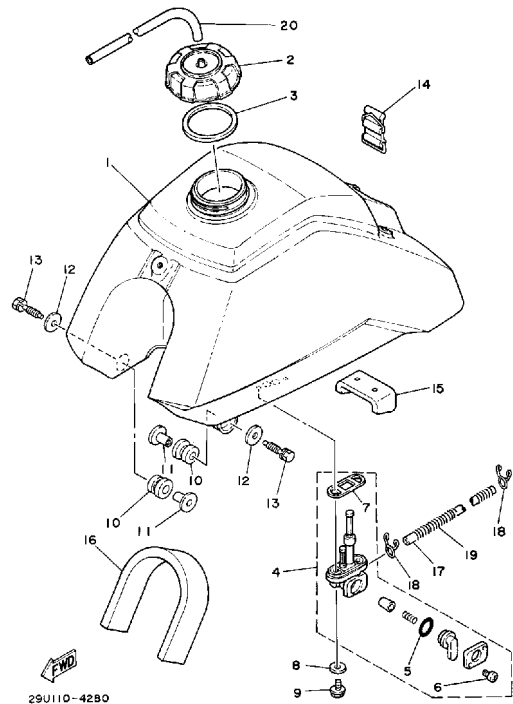
Ref. No.	Part Number	Description	Qty	Remarks
23	93110-30013-00	. . OIL SEAL, SWO-TYPE . . . . .	1	
24	93450-43072-00	. . CIRCLIP, INNER . . . . .	1	
25	29U-23141-00-00	. SPRING, FRONT FORK . . . . .	1	
26	5H5-23111-00-00	. BOLT, CAP . . . . .	1	
27	93210-21276-00	. O-RING . . . . .	1	
28	93450-27071-00	CIRCLIP, INNER . . . . .	1	
29	5H5-23154-00-00	. PLUG, INNER TUBE . . . . .	1	
30	5H5-23173-00-00	. SPINDLE, TAPER . . . . .	1	
31	90430-08155-00	. GASKET (29U) . . . . .	1	
32	91311-08025-00	. BOLT, SOCKET HEAD . . . . .	1	
33	29U-2312A-00-00	. BOOT . . . . .	1	
34	90460-52259-00	. CLAMP, HOSE . . . . .	1	
35	90460-35260-00	. CLAMP, HOSE . . . . .	1	
36	98506-04020-00	. SCREW, PAN HEAD . . . . .	2	
37	29U-23340-10-00	UNDER BRACKETCOMP. . . . .	1	
38	97023-10035-00	BOLT, HEXAGON . . . . .	2	
39	92901-10100-00	WASHER, SPRING . . . . .	2	

29U110-5270

# STEERING

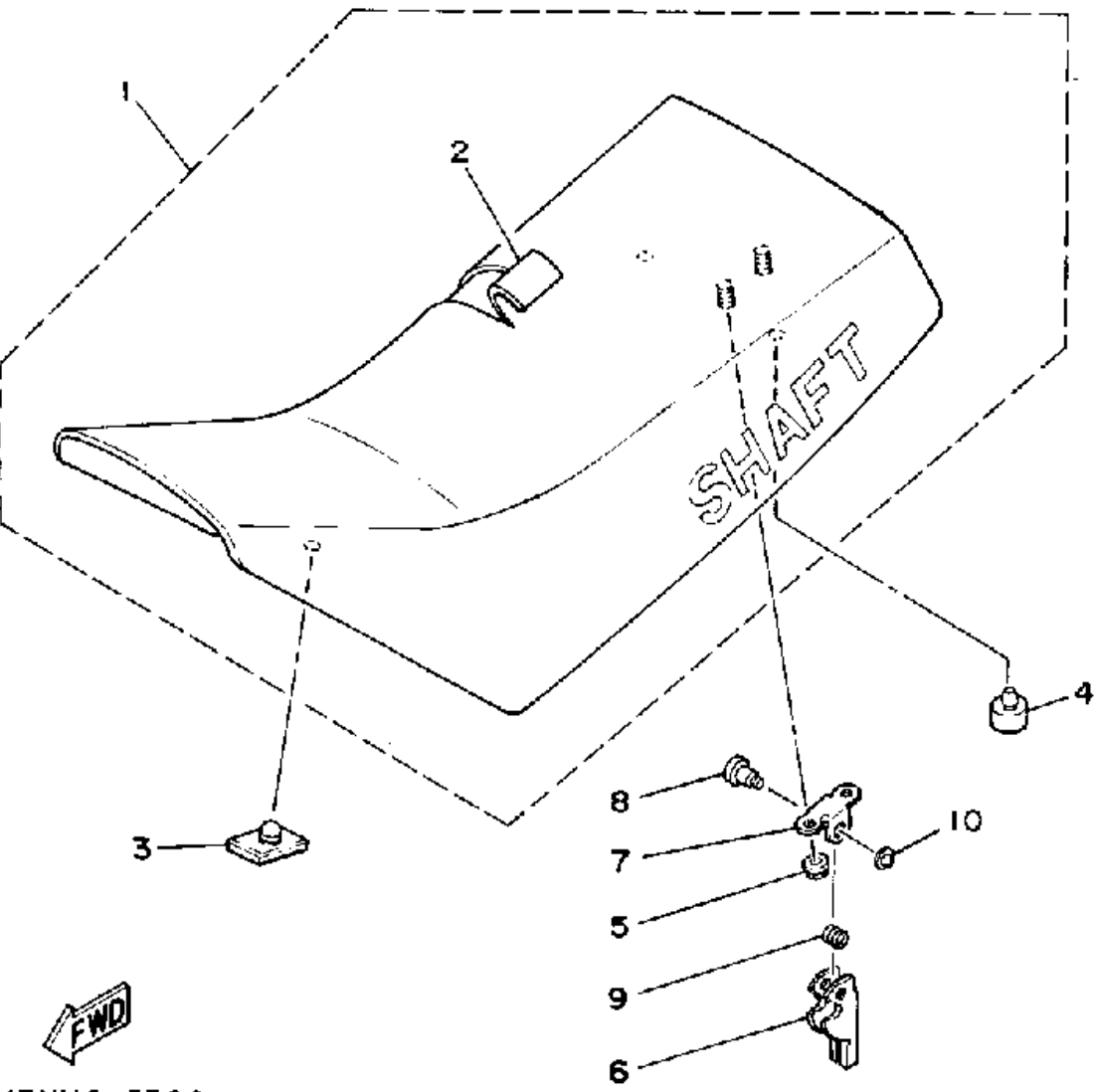
Ref. No.	Part Number	Description	Qty	Remarks
1	21V-23389-00-00	GUIDE, CABLE	1	
2	29U-26396-00-00	HOLDER, ADJUSTING	1	
3	97011-06020-00	BOLT	1	
4	92995-06100-00	WASHER, SPRING	1	
5	156-23412-00-00	RACE, BALL 2	1	
6	93501-04011-00	BALL	19	
7	183-23411-00-00	RACE, BALL 1	1	
8	183-23412-00-00	RACE, BALL 2	1	
9	93501-04011-00	BALL	19	
10	136-23415-00-00	COVER, BALL RACE 1	1	
11	90179-25033-00	NUT	1	
12	90105-14102-00	BOLT, WASHER BASED	1	
13	3Y1-23319-00-00	HOLDER, CABLE 2	1	
14	98506-06016-00	SCREW, PANHEAD (92506-06016-00)	1	
15	92906-06100-00	WASHER, SPRING	1	
16	92906-06600-00	WASHER	1	
17	29U-23435-00-00	CROWN, HANDLE	1	
18	24W-26139-01-00	LABEL, CHOKE	1	
19	90105-08091-00	BOLT, WASHER BASED	2	
20	1E6-23441-00-00	HOLDER, HANDLE UPPER	2	
21	95811-08035-00	BOLT, FLANGE	4	
22	21V-23317-00-00	HOLDER, CABLE	1	
23	1EV-23174-00-00	STAY, HEADLIGHT	1	
24	97001-08025-00	BOLT (1NV)	2	
25	92990-08100-00	WASHER, SPRING	2	
26	92901-08600-00	WASHER, PLATE	2	
27	164-23462-00-00	SEAL, STEERING	1	
28	156-23411-00-00	RACE, BALL 1	1	





# FUEL TANK

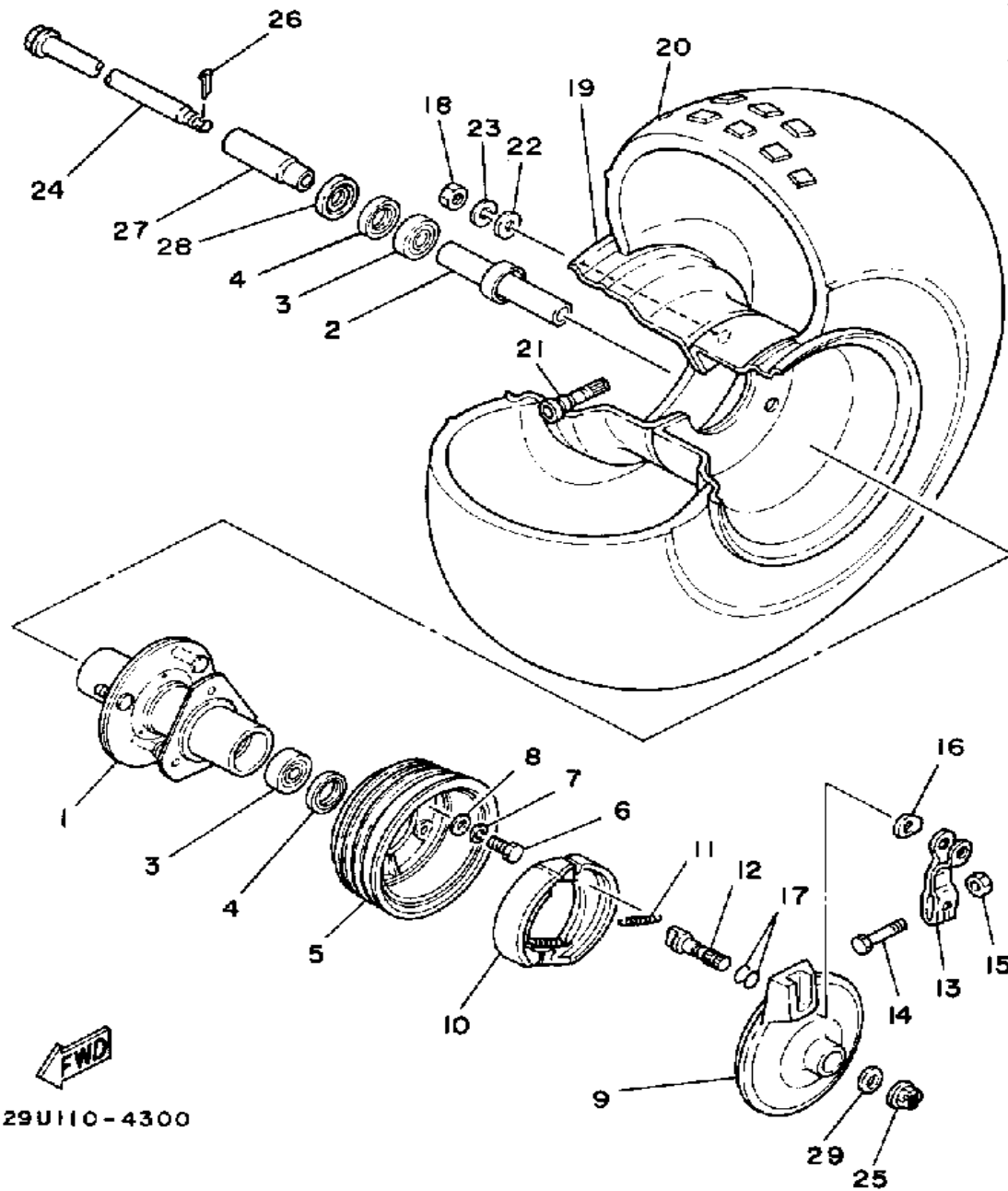
Ref. No.	Part Number	Description	Qty	Remarks
1	2FW-24110-00-00	FUEL TANK .....	1	
2	1UY-24611-00-00	UNAVAILABLE IN PRICE BOOK (3R9-24611-01) .....	1	
3	3R9-24612-00-00	GASKET, CAP .....	1	
4	21V-24500-10-00	FUEL COCK ASSEMBLY 1 ...	1	
5	4X8-24534-00-00	. SEAL, COCK .....	1	
6	98580-03008-00	. SCREW, PAN HEAD (98501-03008-00) .....	2	
7	4X8-24512-00-00	. O-RING .....	1	
8	90202-05187-00	WASHER, PLATE .....	2	
9	90149-06011-00	SCREW .....	2	
10	90480-18354-00	GROMMET .....	2	
11	90387-066H4-00	COLLAR .....	2	
12	90201-06697-00	WASHER, PLATE .....	2	
13	90119-06073-00	BOLT, WITH WASHER .....	2	
14	59V-24173-00-00	BAND, TNK FITTING 1 .....	1	
15	29U-24181-00-00	DAMPER, LOCATING 1 .....	1	
16	21V-24183-00-00	DAMPER, LOCATING 3 .....	1	
17	90445-11717-00	HOSE .....	1	
18	90467-10008-00	CLIP .....	2	
19	90501-08728-00	SPRING, COMPRESSION .....	1	
20	90445-09111-00	HOSE .....	2	



# SEAT

Ref. No.	Part Number	Description	Qty	Remarks
1	29U-W2471-00-00	SINGLE SEAT ASSEMBLY ...	1	BLACK
2	29U-24711-00-00	. COVER, SINGLE SEAT .....	1	
3	509-24724-00-00	DAMPER, SEAT .....	3	
4	371-27114-00-00	STOPPER, MAIN STAND .....	2	
5	95701-06500-00	NUT, FLANGE .....	2	
6	29U-24776-00-00	LEVER, SEAT .....	1	
7	4K0-24775-00-00	BRACKET, SEAT LEVER .....	1	
8	4K0-24774-01-00	PIN .....	1	
9	90508-20454-00	SPRING, TORSION .....	1	
10	93430-04002-00	CIRCLIP .....	1	

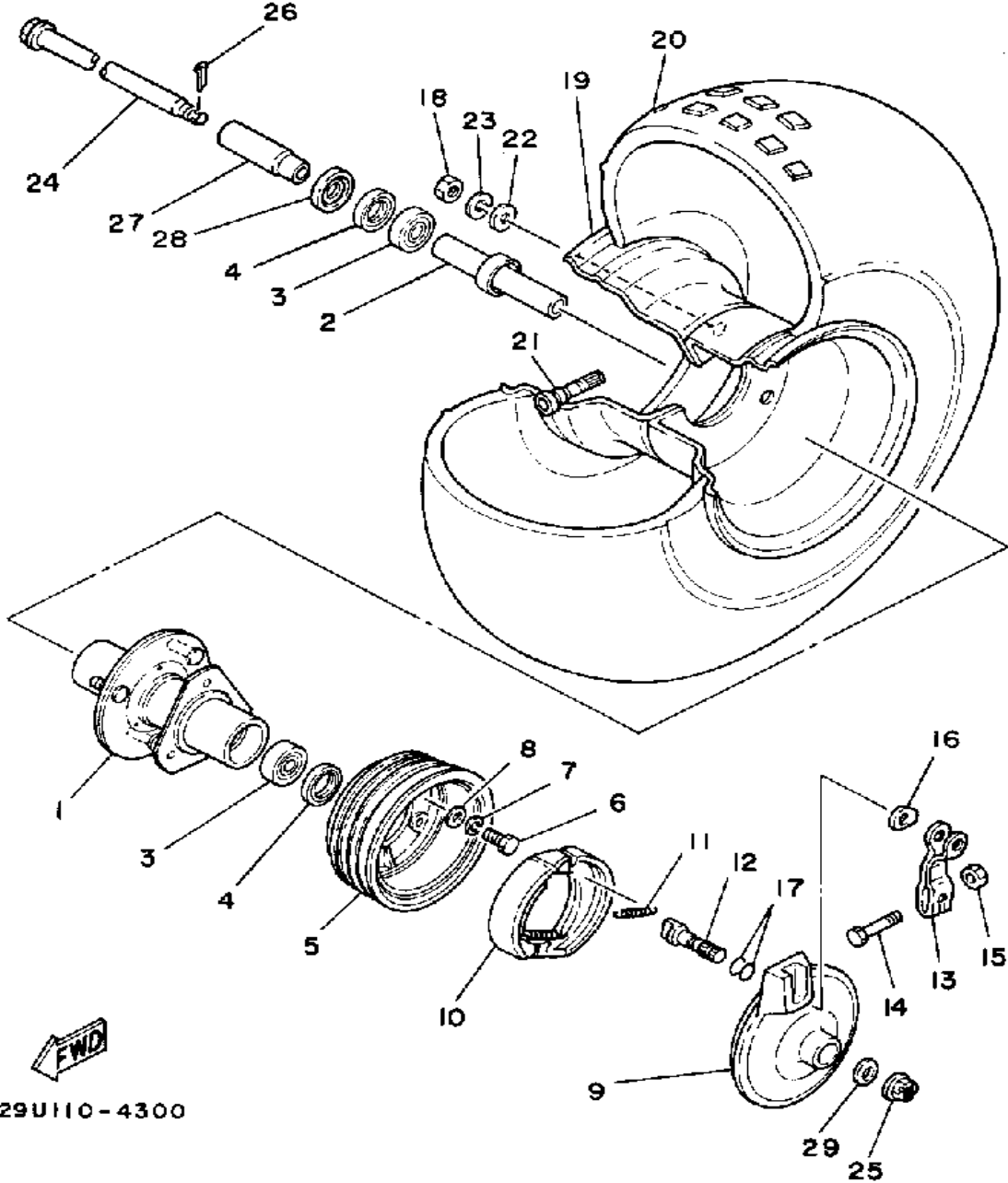
# FRONT WHEEL



Ref. No.	Part Number	Description	Qty	Remarks
1	29U-25111-00-00	HUB, FRONT	1	
2	29U-25117-00-00	SPACER, BEARING	1	
3	93306-20310-00	BEARING (B6203DU)	2	
4	93102-23252-00	OIL SEAL	2	
5	5V7-2511E-00-00	DRUM, BRAKE	1	
6	97313-08020-00	BOLT, HEXAGON	3	
7	92990-08100-00	WASHER, SPRING	3	
8	92990-08600-00	WASHER, PLATE	3	
9	21V-25121-00-35	PLATE, BRAKE SHOE	1	SILVER
	21V-25121-00-98	PLATE, BRAKE SHOE	1	BLACK
10	5G3-W2536-00-00	BRAKESHOE SET-2PCS	2	
11	90506-15260-00	SPRING, TENSION	2	
12	3Y6-25351-00-00	CAMSHAFT	1	
13	21V-25155-00-00	LEVER, CAMSHAFT 1	1	
14	90101-06278-00	BOLT	1	
15	95380-06600-00	NUT, HEXAGON	1	
16	5V7-2513A-00-00	PLATE, INDICATOR	1	
17	93210-14104-00	O-RING	2	
18	95311-10600-00	NUT	3	
19	29U-25180-00-35	WHEEL, FRONT	1	SILVER
	29U-25180-00-8L	WHEEL, FRONT	1	NEBULAR GOLD
20	94111-083H6-00	22X11-8 KT755 DUN.	1	DUNLOP
21	93900-00030-00	VALVE, RIM	1	DUNLOP
22	92990-10200-00	WASHER, PLAIN	3	
23	92990-10100-00	WASHER, SPRING	3	
24	29U-25181-00-00	AXLE, WHEEL	1	
25	90171-14020-00	NUT, CASTLE	1	
26	91401-30030-00	PIN, COTTER	1	
27	90387-174G6-00	COLLAR	1	

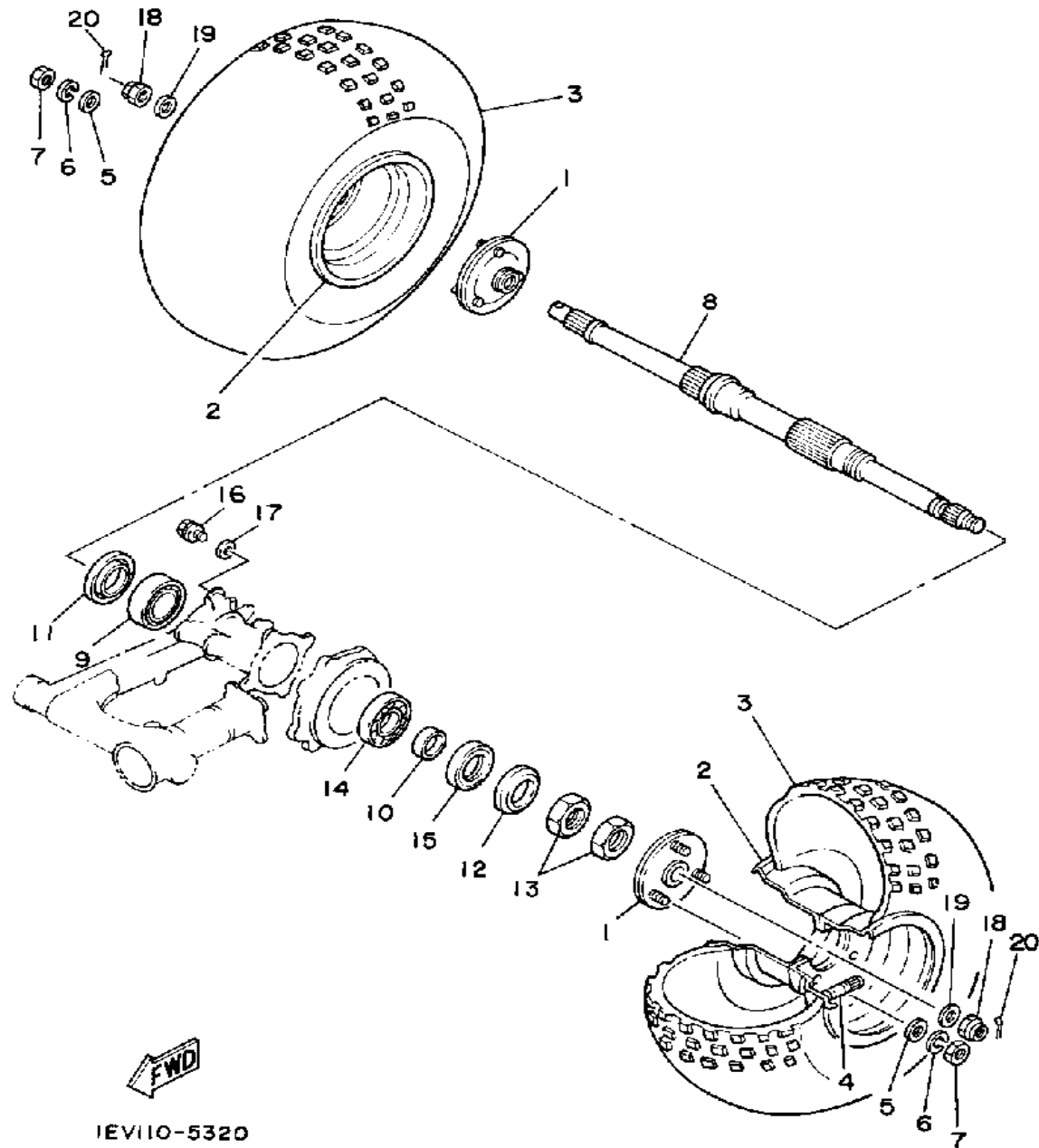
CONTINUED ON NEXT FRAME ►

# FRONT WHEEL



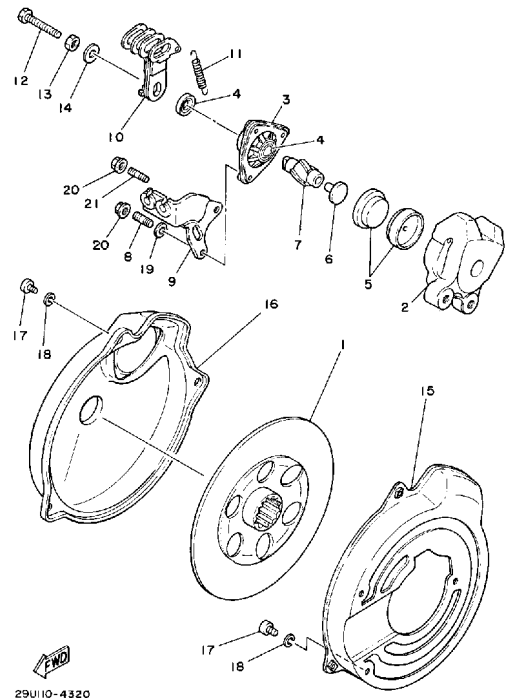
Ref. No.	Part Number	Description	Qty	Remarks
28	5V6-25118-00-00	COVER, HUB DUST .....	1	
29	90201-15785-00	WASHER, PLATE .....	1	

# REAR WHEEL



IEV110-5320

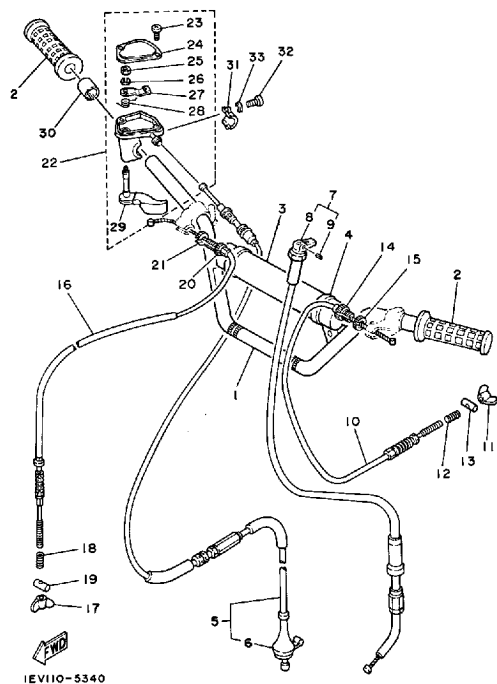
Ref. No.	Part Number	Description	Qty	Remarks
1	5V7-25383-00-00	COLLAR, WHEEL (3X3-25383-00)	2	
2	29U-25390-00-35	WHEEL, REAR	2	SILVER
	29U-25390-00-8L	WHEEL, REAR	2	NEBULAR GOLD
3	94111-083H6-00	22X11-8 KT755 DUN.	2	DUNLOP
4	93900-00030-00	VALVE, RIM	2	DUNLOP
5	92990-10200-00	WASHER, PLAIN	6	
6	92901-10100-00	WASHER, SPRING	6	
7	95311-10600-00	NUT	6	
8	29U-25381-00-00	AXLE, WHEEL	1	
9	93399-99913-00	BEARING, SPECIAL	1	
10	24W-25386-00-00	COLLAR, SPRKT AXLE	1	
11	24W-25367-00-00	COVER, HUB DUST	1	
12	21V-25367-00-00	COVER, HUB DUST	1	
13	90179-40419-00	NUT, SPECL SHAPE	2	
14	93306-00803-00	BEARING (B6008)	1	
15	93102-46274-00	OIL SEAL, SD-TYPE	1	
16	90119-10098-00	BOLT, WITH WASHER	2	
17	90201-104G0-00	WASHER, PLATE	2	
18	90171-14037-00	NUT, CASTLE	2	
19	90201-140A6-00	WASHER, PLATE	2	
20	91401-30030-00	PIN, COTTER	2	



# BRAKE

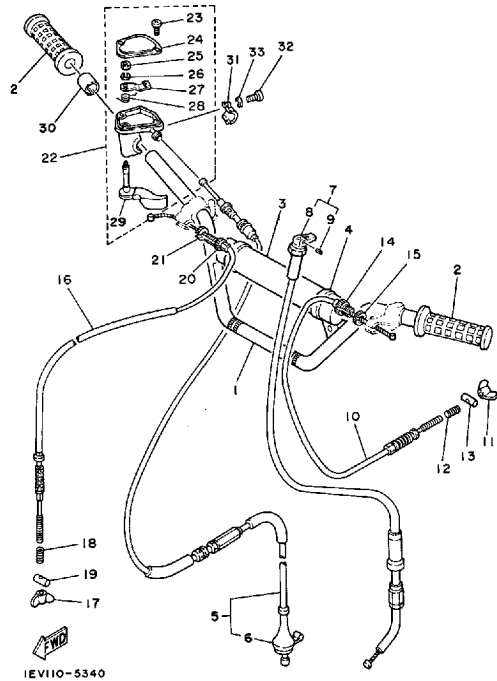
Ref. No.	Part Number	Description	Qty	Remarks
1	21V-25711-01-00	DISC, BRAKE .....	1	
2	24W-25731-01-00	BODY CALIPER 1 .....	1	
3	21V-25741-02-00	BODY, CALIPER 2 (21V-25741-01) .....	1	
4	93102-15212-00	OIL SEAL .....	2	
5	2HR-W0045-00-00	BRAKE PAD KIT, FRT .....	1	
6	5V6-25733-00-00	PLATE, BACK UP .....	1	
7	29U-25728-01-00	CAM .....	1	
8	90116-06475-00	BOLT, STUD .....	1	
9	1NU-26381-00-00	HOLDER, ADJUSTING .....	1	
10	1NU-25726-00-00	LEVER, BRAKE (29U-25726-01)	1	
11	90506-16215-00	SPRING, TENSION .....	1	
12	90101-08536-00	BOLT .....	1	
13	95333-08600-00	NUT .....	1	
14	90201-08730-00	WASHER, PLATE .....	1	
15	29U-25715-00-00	COVER 1 .....	1	
16	29U-25716-00-00	COVER 2 .....	1	
17	98580-06010-00	SCREW, PAN HEAD .....	6	
18	92995-06100-00	WASHER, SPRING .....	6	
19	92990-06200-00	WASHER, PLAIN .....	1	
20	95701-06500-00	NUT, FLANGE .....	3	
21	95612-06625-00	BOLT, STUD .....	2	

# HANDLEBAR - CABLE



Ref. No.	Part Number	Description	Qty	Remarks
1	29U-26111-01-00	HANDLEBAR .....	1	
2	3GB-26241-00-00	GRIP (LEFT) .....	2	
3	21V-26124-00-00	PROTECTOR, HDLBR .....	1	
4	437-83936-11-00	BAND, SWITCH CORD .....	2	
5	29U-26311-10-00	CABLE, THROTTLE 1 .....	1	
6	21V-26329-00-00	. CAP, RUBBER .....	1	
7	29U-26331-00-00	CABLE, STARTER 1 .....	1	
8	21V-26374-00-00	. END, CABLE 3 .....	1	
9	91609-30010-00	. PIN, SPRING .....	1	
10	29U-26341-00-00	CABLE, BRAKE .....	1	
11	20E-26343-00-00	NUT, ADJUSTING .....	1	
12	90501-10782-00	SPRING, COMPRESSION .....	1	
13	90249-12008-00	PIN .....	1	
14	90123-08046-00	BOLT .....	1	
15	90179-08148-00	NUT .....	1	
16	29U-26373-00-00	CABLE, BRAKE 4 .....	1	
17	90179-06411-00	NUT, SPECIAL SHAPE .....	1	
18	90501-10782-00	SPRING, COMPRESSION .....	1	
19	90249-12008-00	PIN .....	1	
20	90123-08046-00	BOLT .....	1	
21	90179-08148-00	NUT .....	1	
22	29U-26250-00-00	THROTTLE, LEVER ASSEMBLY (38W-26250-00) .....	1	
23	98506-05010-00	. SCREW, PAN HEAD .....	2	
24	21V-2628F-00-00	. CAP, GEAR .....	1	
25	95380-05600-00	. NUT .....	1	
26	92990-05100-00	. WASHER, SPRING .....	1	
27	21V-2625H-00-00	. ARM, THROTTLE .....	1	
28	90508-10597-00	. SPRING, TORSION .....	1	

CONTINUED ON NEXT FRAME ►

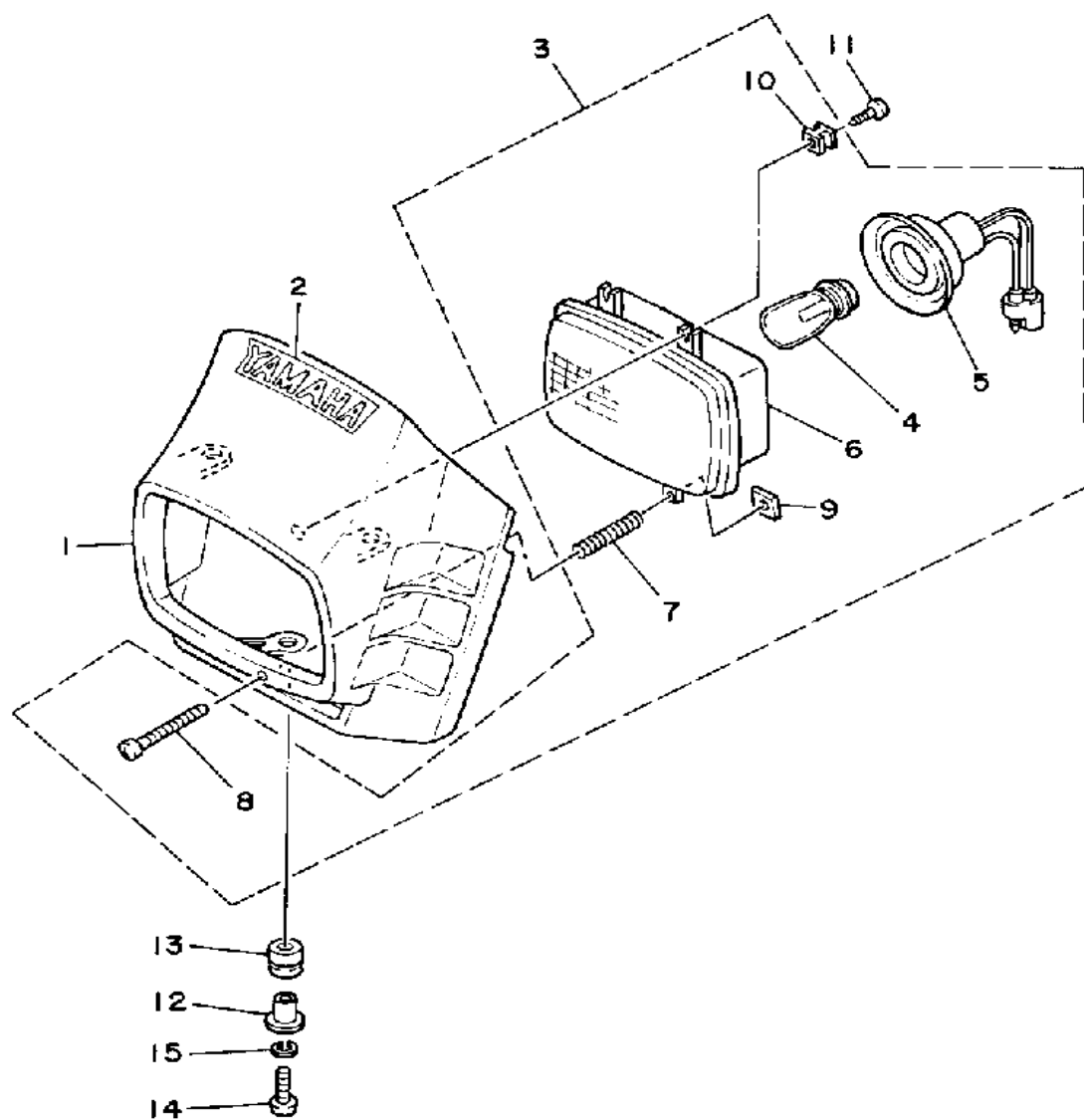


# HANDLEBAR - CABLE

Ref. No.	Part Number	Description	Qty	Remarks
29	29U-2625G-00-00	. LEVER, THROTTLE (38W-2625G-00) .....	1	
30	90387-224L9-00	COLLAR .....	1	
31	38V-82913-00-00	HOLDER, LEVER LOWER 1 ...	1	
32	98506-05018-00	SCREW, PAN HEAD .....	2	
33	92906-05100-00	WASHER, SPRING .....	2	



# HEADLIGHT

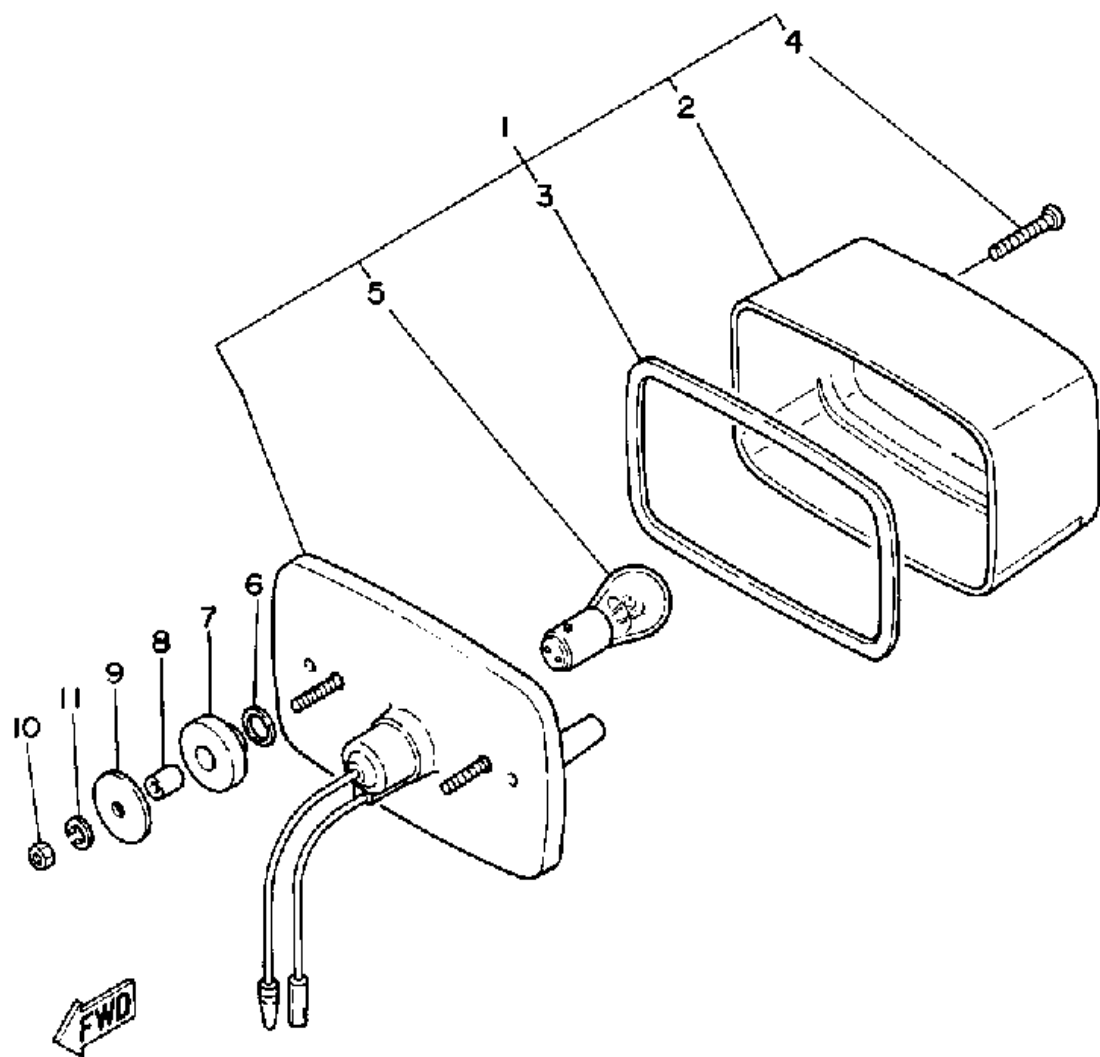


Ref. No.	Part Number	Description	Qty	Remarks
1	29U-84311-00-00	BODY, HEADLIGHT .....	1	UR COMP. YEL
	29U-84311-20-00	BODY, HEADLIGHT .....	1	UR SKY BLUE
	29U-84311-30-00	BODY, HEADLIGHT .....	1	UR YAMAHA BLK
2	24W-23395-30-00	EMBLEM .....	1	
	4U3-23395-00-00	EMBLEM .....	1	UR FOR CPY
3	ø21-V8431-00-00	UNAVAILABLE IN PRICE BOOK	1	N/A
4	21V-84314-00-00	. BULB, HEAD LIGHT (12V-45/45W) .....	1	
5	21V-84312-00-00	. SOCKET .....	1	
6	21V-84320-00-00	. LENS ASSEMBLY .....	1	
7	21V-84335-00-00	. SPRING .....	1	
8	1M1-84524-60-00	. SCREW, LENS FITTING .....	1	
9	21V-84334-00-00	. NUT, ADJUSTING .....	1	
10	21V-84316-00-00	. NUT, BODY FITTING .....	2	
11	97702-40614-00	SCREW, TAPPING .....	2	
12	90387-060G8-00	COLLAR .....	3	
13	90480-14412-00	GROMMET .....	3	
14	98580-06030-00	SCREW PAN HEAD .....	3	
15	92995-06100-00	WASHER, SPRING .....	3	



29U1110-4380

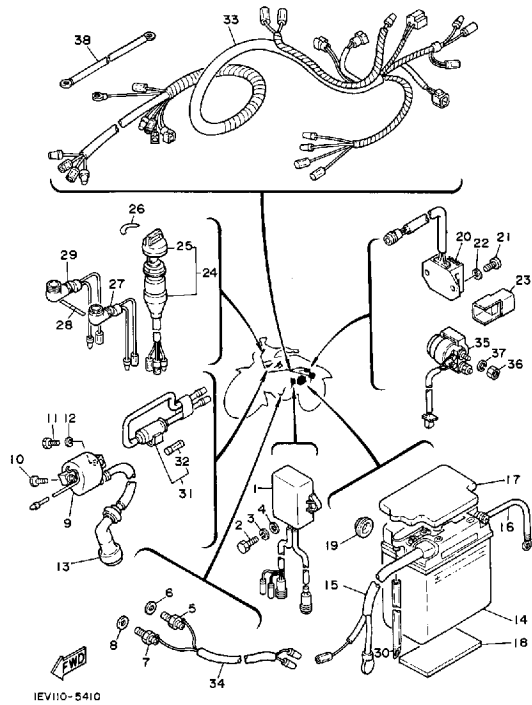
# TAILLIGHT



29U110-4390

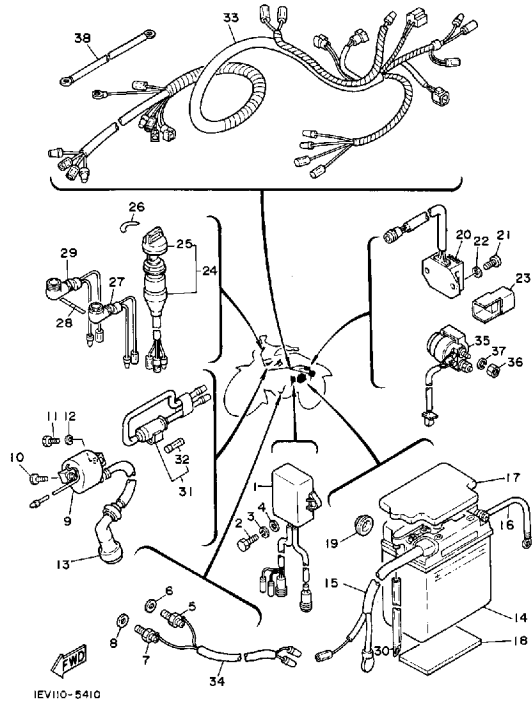
Ref. No.	Part Number	Description	Qty	Remarks
1	52H-84710-00-00	TAILLIGHT UNIT ASSEMBLY ..	1	
2	21V-84721-00-00	. LENS, TAILLIGHT .....	1	
3	1K8-84523-00-00	. GASKET, LENS .....	1	
4	97780-40130-00	. SCREW, TAPPING .....	2	
5	3GD-84714-00-00	. BULB (12V-7.5W) .....	1	
6	90202-14077-00	WASHER, PLATE .....	2	
7	90480-14088-00	GROMMET .....	2	
8	90560-07007-00	SPACER .....	2	
9	90201-06074-00	WASHER, PLATE .....	2	
10	92995-06100-00	WASHER, SPRING .....	2	
11	92995-06100-00	WASHER, SPRING .....	2	

# ELECTRICAL 1



Ref. No.	Part Number	Description	Qty	Remarks
1	1EV-85540-20-00	CDI UNIT ASSEMBLY	1	
2	98580-06020-00	SCREW, PAN HEAD	2	
3	92995-06100-00	WASHER, SPRING	2	
4	92990-06600-00	WASHER, PLATE	2	
5	24W-82540-00-00	NEUTRAL SWITCH ASSEMBLY	1	
6	90430-10171-00	GASKET	1	
7	136-82540-00-00	NEUTRAL SWITCH ASSEMBLY	1	
8	90201-12790-00	WASHER, PLATE	1	
9	1UY-82310-41-00	IGNITION COIL ASSEMBLY	1	
10	90109-06723-00	BOLT	1	
11	97023-06020-00	BOLT (3XF) (97302-06020)	1	
12	92995-06100-00	WASHER, SPRING	1	
13	1UY-82370-20-00	PLUG CAP ASSY	1	
14	BTG-GM14A-Z4-A0	GS GM14AZ-4A	1	
15	29U-82115-00-00	WIRE, PLUS LEAD	1	
16	29U-82116-00-00	WIRE, MINUS LEAD	1	
17	24W-82129-00-00	COVER, BATTERY	1	
18	5X2-24183-00-00	DAMPER, LOCATING 3	1	
19	371-82121-00-00	PAD, BATTERY	3	
20	29U-81960-90-00	RECTIFIER/REG ASSYREGULATOR ASSEMBLY	1	
21	98503-06014-00	SCREW, PAN HEAD (92501-06015)	2	
22	92990-06600-00	WASHER, PLATE	2	
23	29U-81950-93-00	STARTER CIRCUIT RELAY	1	
24	2FW-82510-02-00	MAIN SWITCH ASSEMBLY	1	
25	24W-82579-00-00	. CAP, KEY	1	
26	29U-83585-10-00	LABEL	1	
27	24W-83530-00-00	PILOT LIGHT ASSEMBLY	1	

CONTINUED ON NEXT FRAME ►

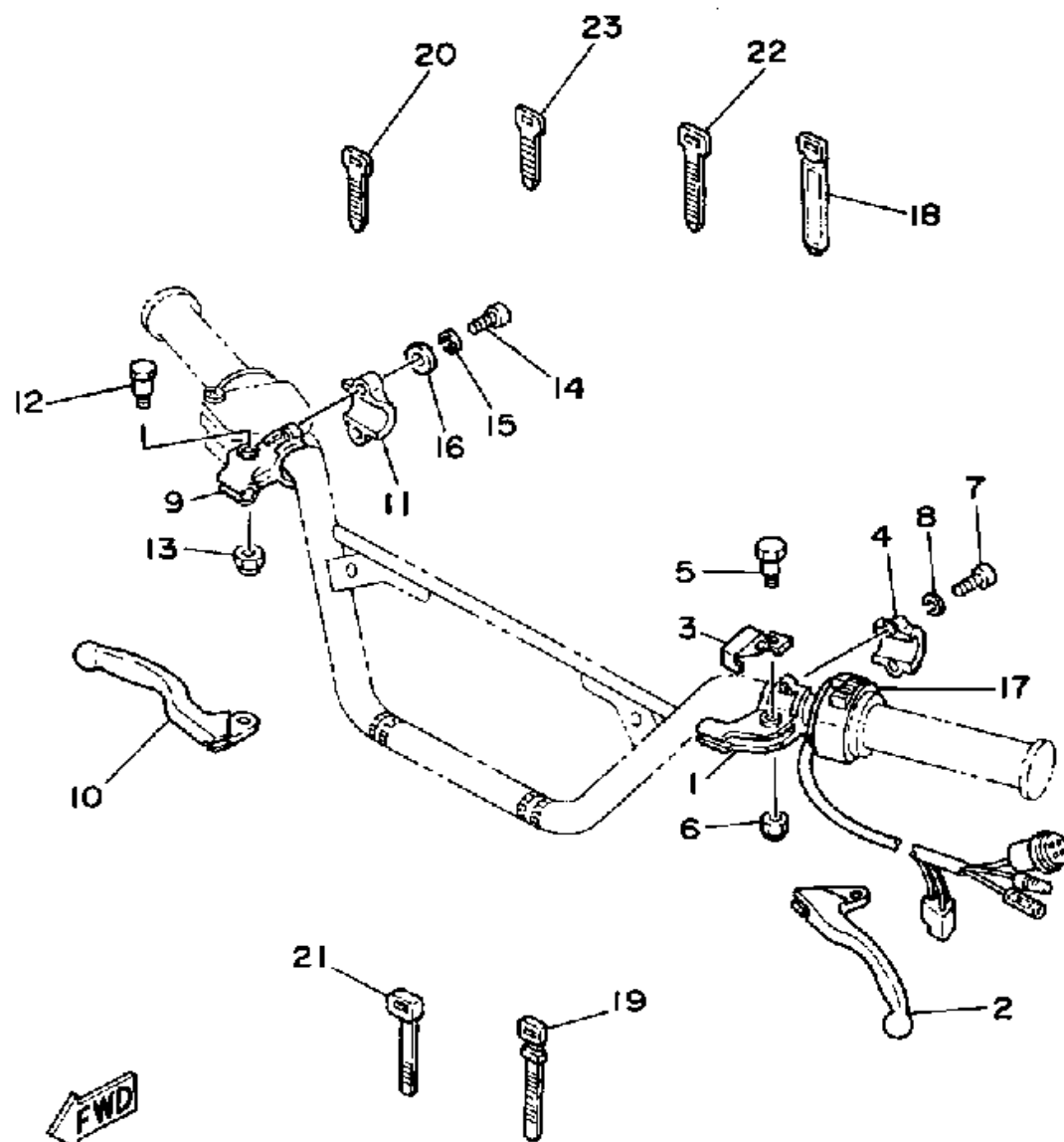


# ELECTRICAL 1

Ref. No.	Part Number	Description	Qty	Remarks
28	52H-83585-00-00	LABEL .....	1	
29	52G-83530-00-00	PILOT LIGHT ASSEMBLY ....	1	
30	3L5-82112-00-00	PIPE, BREATHER .....	1	
31	29U-82150-00-00	FUSE HOLDER ASSEMBLY ...	1	
32	1E6-82151-00-00	. FUSE (10A) .....	2	
33	1EV-82590-60-00	WIRE HARNESS ASSEMBLY (29U-82590-60) .....	1	
34	52G-82541-00-00	WIRE, LEAD .....	1	
35	3AY-81940-00-00	STARTER RELAY ASSEMBLY .	1	U.R.
36	95380-06700-00	NUT .....	2	
37	92995-06100-00	WASHER, SPRING .....	2	
38	3WP-82116-00-00	WIRE, MINUS LEAD (46X-82116-00) .....	1	

# HANDLE SWITCH - LEVER

Ref. No.	Part Number	Description	Qty	Remarks
1	38V-82911-00-00	HOLDER, LEVER 1	1	
2	23X-83912-00-00	LEVER L	1	
3	3X3-83965-00-00	LEVER, LOCK	1	
4	38V-82913-00-00	HOLDER, LEVER LOWER 1	1	
5	2H7-83945-00-00	BOLT, LEVER	1	
6	95601-06100-00	NUT, U	1	
7	98506-05018-00	SCREW, PAN HEAD	2	
8	92906-05100-00	WASHER, SPRING	2	
9	38V-82921-00-00	HOLDER, LEVER 2	1	
10	23X-83922-00-00	LEVER 2	1	
11	38V-82913-00-00	HOLDER, LEVER LOWER 1	1	
12	90109-06797-00	BOLT	1	
13	95601-06100-00	NUT, U	1	
14	98506-05018-00	SCREW, PAN HEAD	2	
15	92906-05100-00	WASHER, SPRING	2	
16	90201-08083-00	WASHER, PLATE	1	
17	29U-83973-02-00	SWITCH, HANDLE 3	1	
18	341-26397-01-00	BAND	2	
19	25G-83936-01-00	BAND, SWITCH CORD	1	
20	437-83936-01-00	BAND, SWITCH CORD	3	
21	12R-82591-00-00	BAND	1	
22	437-83936-11-00	BAND, SWITCH CORD	1	
23	437-83936-11-00	BAND, SWITCH CORD	2	



29U110-5400