

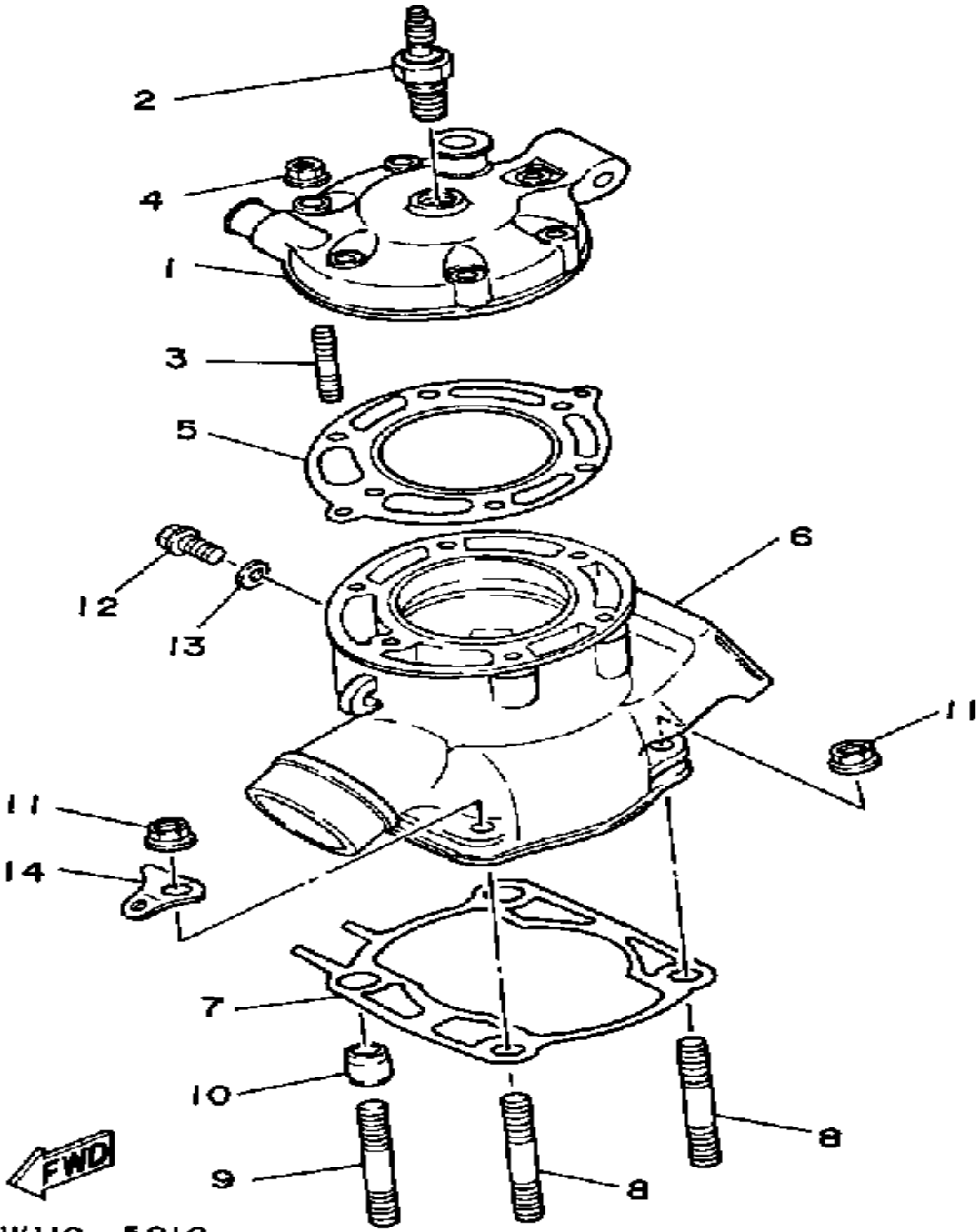
YAMAHA

GENUINE

PARTS CATALOGUE

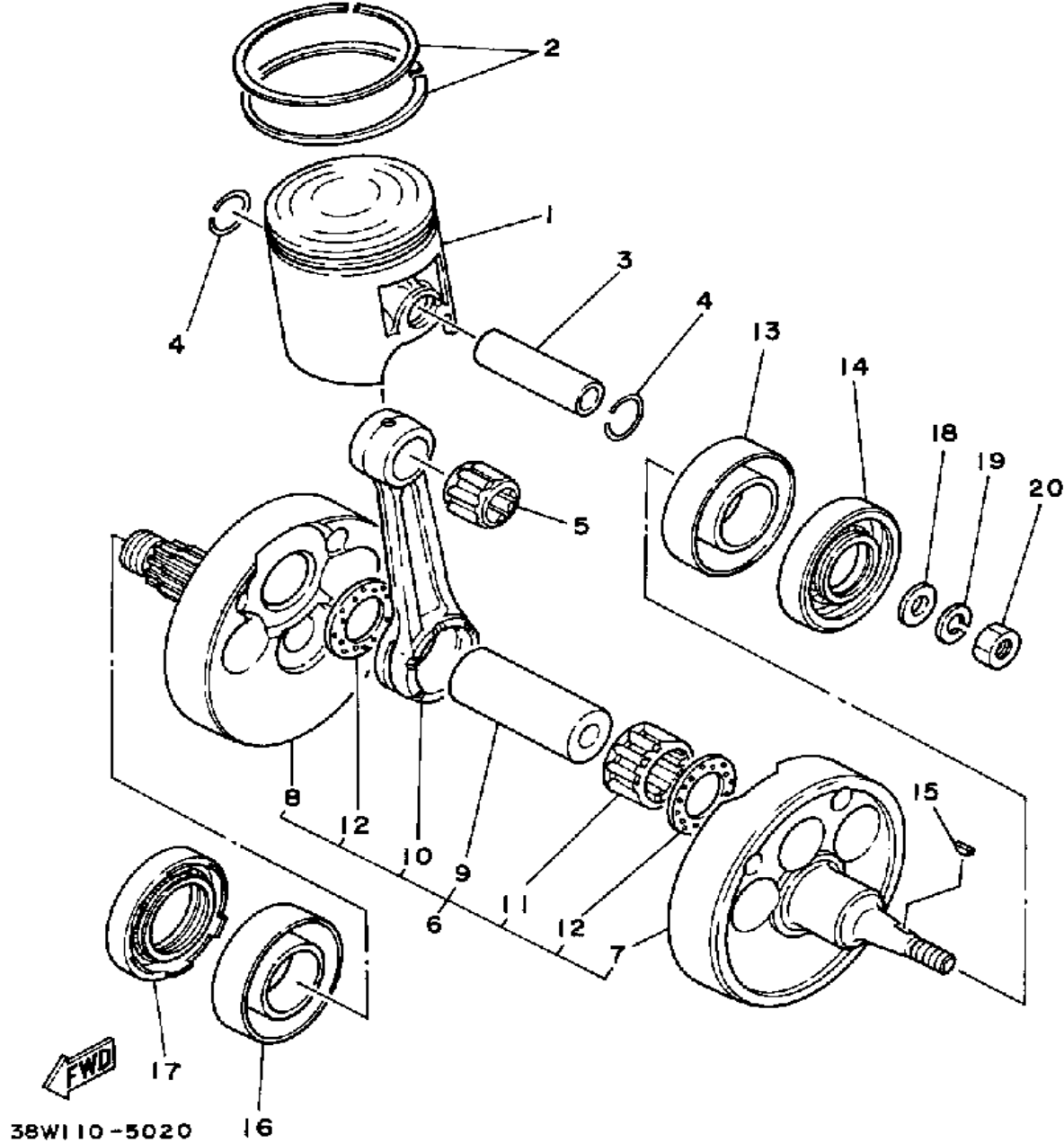
ALL TERRAIN VEHICLE

CYLINDER HEAD



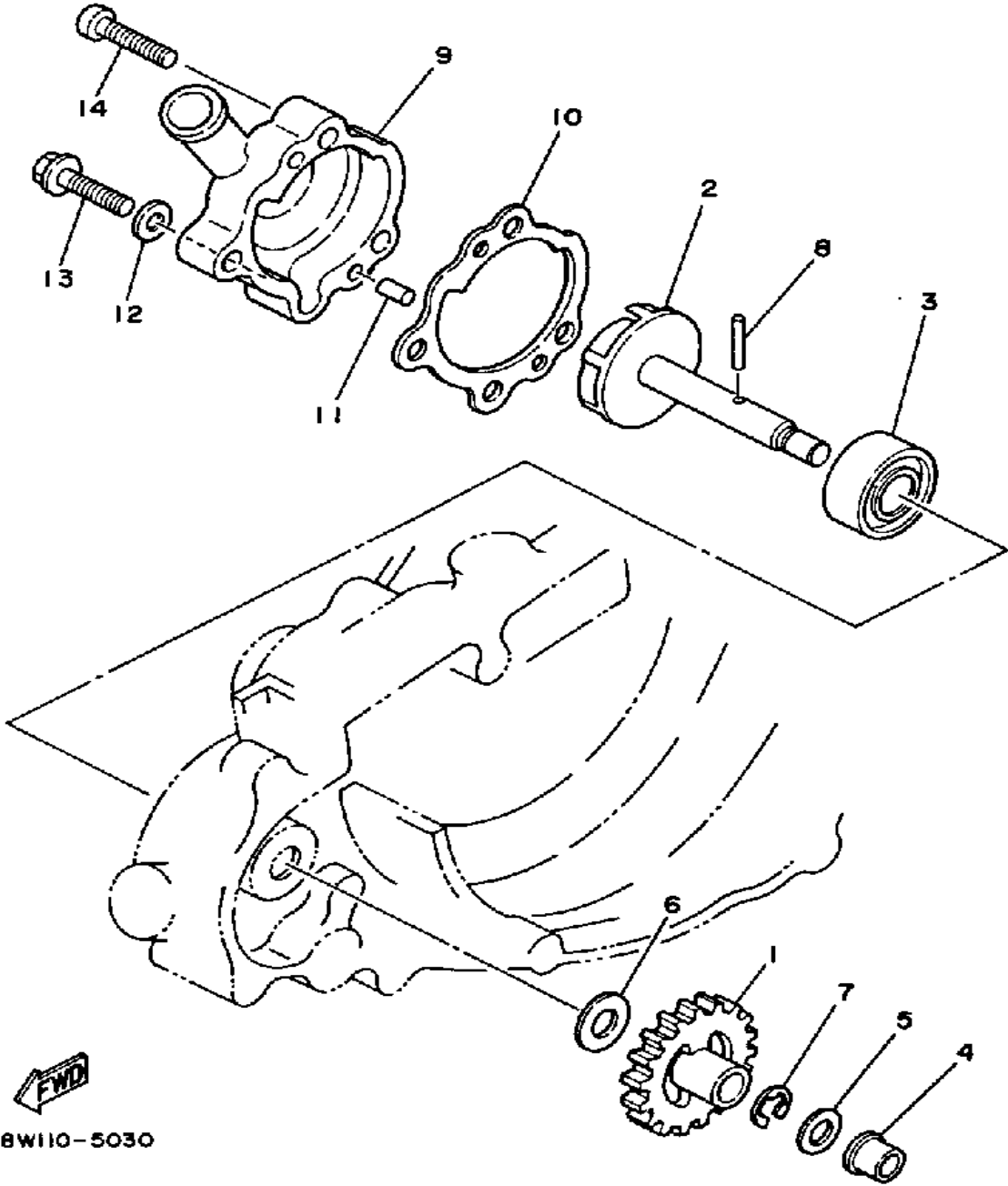
Ref. No.	Part Number	Description	Qty	Remarks
1	38W-11111-00-00	HEAD, CYLINDER 1	1	
2	NGK-B8ES0-00-00	PLUG, SPARK (NGK B8ES) ...	1	
3	90116-08394-00	BOLT, STUD	6	
4	90179-08491-00	NUT, FLANGE	6	
5	38W-11181-00-00	GASKET, CYLINDER.HEAD ...	1	
6	38W-11311-01-00	CYLINDER 1 (38W-11311-00) ..	1	
7	39X-11351-01-00	GASKET, CYLINDER (39X-11351-00)	1	
8	90116-10313-00	BOLT, STUD	2	
9	90116-10314-00	BOLT, STUD	2	
10	99530-14016-00	PIN, DOWEL	2	
11	95701-10500-00	NUT, FLANGE (95702-10500) ..	4	
12	95816-06012-00	BOLT, FLANGE	1	
13	90430-06166-00	GASKET	1	
14	39X-14619-00-00	HOOK, SPRING	1	

CRANKSHAFT-PISTON



Ref. No.	Part Number	Description	Qty	Remarks
1	38W-11631-01-94	PISTON STD (38W-11631-00-94)	1	
2	38V-11610-00-00	PISTON RING STD (STD)	1	
	(25Y-11610-00)	1	
	38V-11610-10-00	PISTON RING 1ST OS (1ST O/S) (25Y-11610-10)	1	ALTERNATE PART
	38V-11610-20-00	PISTON RING 2ND OS (2ND O/S) (25Y-11610-20)	1	ALTERNATE PART
	38W-11635-01-00	PISTON 1ST O/S .25 (38W-11635-00)	1	ALTERNATE PART
	38W-11636-01-00	PISTON 2ND O/S .50 (38W-11636-00)	1	ALTERNATE PART
3	214-11633-00-00	PIN, PISTON	1	
4	93450-19052-00	CIRCLIP	2	
5	93310-418E9-00	BEARING, CYLINDRICAL	1	
6	38W-11400-00-00	CRANKSHAFT ASSEMBLY	1	
7	38W-11412-00-00	. CRANK 1	1	
8	38W-11422-00-00	. CRANK 2	1	
9	2X4-11681-00-00	. PIN, CRANK 1	1	
10	24Y-11651-01-00	. ROD, CONNECTING	1	
11	93310-425N4-00	. BEARING, CYLINDER.# 0	1	
12	90209-25085-00	. WASHER	2	
13	93306-20627-00	BEARING	1	
14	93103-30150-00	OIL SEAL (38W)	1	
15	90280-03017-00	KEY, WOODRUFF	1	
16	93306-20627-00	BEARING	1	
17	93103-40091-00	OIL SEAL, SW-TYPE	1	
18	90201-12593-00	WASHER, PLATE	1	
19	92901-12100-00	WASHER, SPRING	1	
20	90170-12347-00	NUT, HEXAGON	1	

WATER PUMP

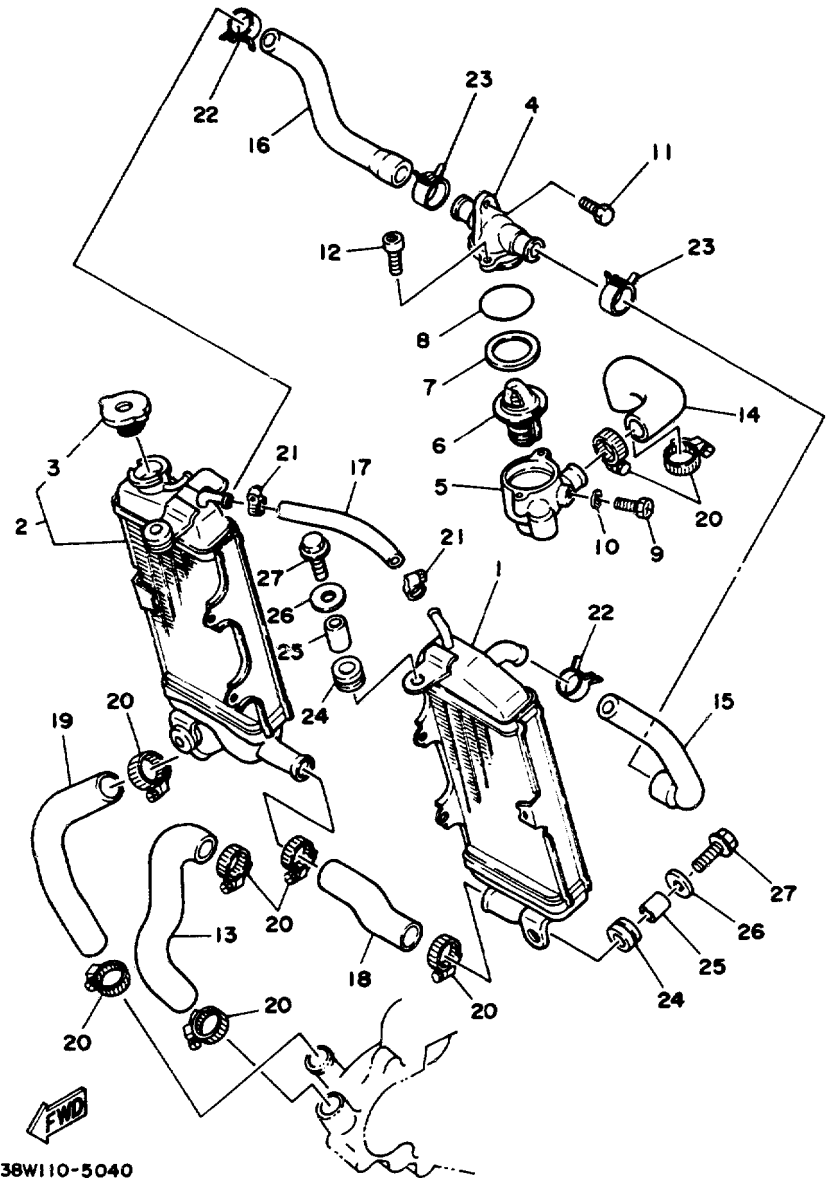


Ref. No.	Part Number	Description	Qty	Remarks
1	39X-12459-00-00	GEAR, IMPELLER SHAF	1	
2	39X-12450-00-00	IMPELLER SHAFT ASSEMBLY	1	
3	93103-10168-00	OIL SEAL	1	
4	90381-08002-00	BUSHING (214-17843-00)	1	
5	90201-08512-00	WASHER, PLATE	1	
6	90201-106M5-00	WASHER, PLATE	1	
7	99080-07600-00	CIRCLIP (E)	1	
8	93603-22028-00	PIN, DOWEL	1	
9	24Y-12422-00-00	COVER, HOUSING	1	
10	5X5-12428-00-00	GASKET, HSNG CVR 2	1	
11	93604-10011-00	PIN, DOWEL	2	
12	90430-06166-00	GASKET	1	
13	95816-06025-00	BOLT, FLANGE	1	
14	91316-06025-00	BOLT	3	



38W110-5030

RADIATOR-HOSE

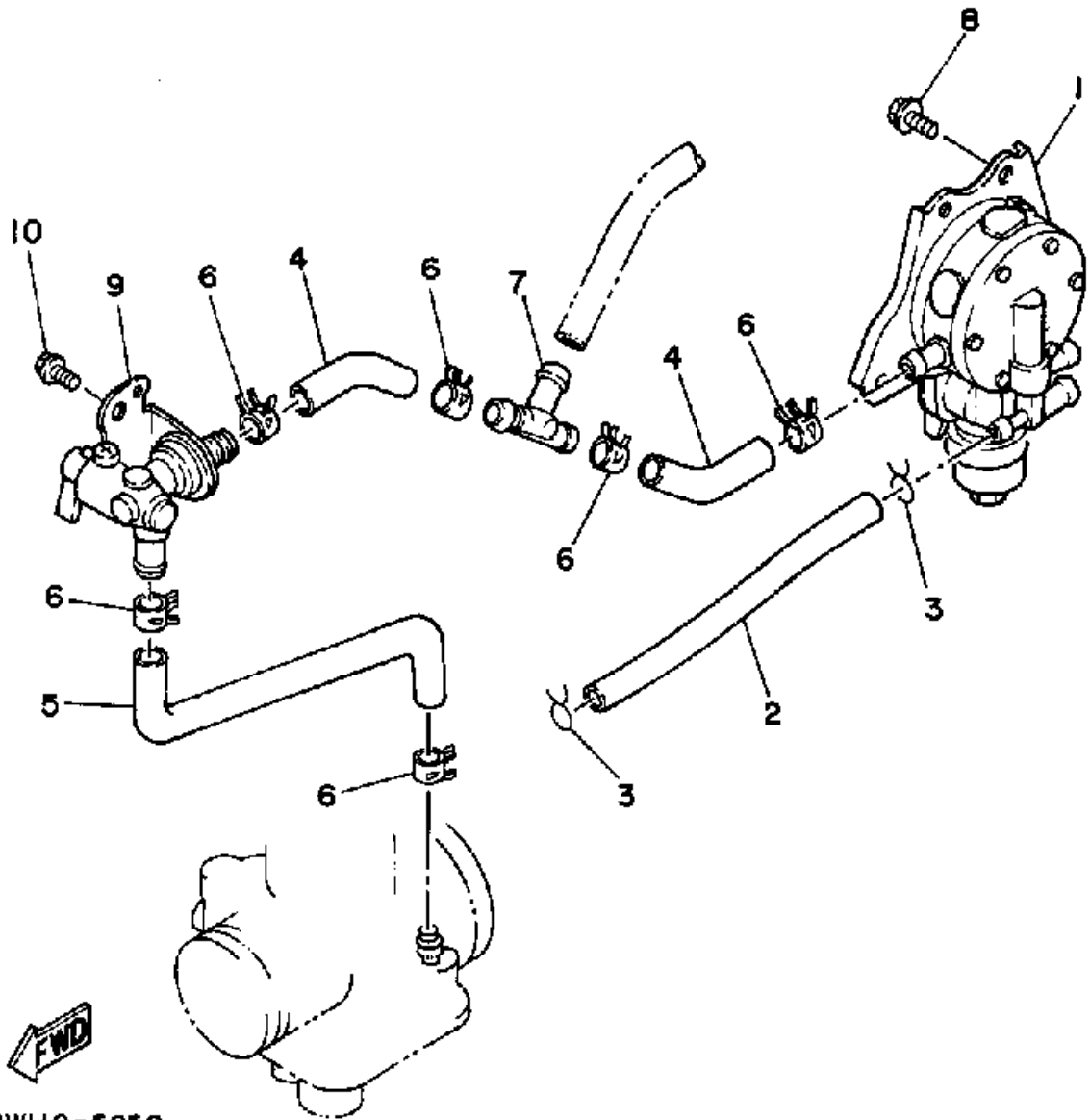


38W110-5040

Cooling System / Capacity / Cap. Opening Pressure	Liquid / 1.0 Lit / 0.95~1.25kg/cm ² (13.3~17.8 psi)
Coolant Type / Mixing Ratio	Ethylene Glycol-Water / 1:1

Ref. No.	Part Number	Description	Qty	Remarks
1	(38W-12460-00-00)	RADIATOR ASSEMBLY	1	
2	38W-1240A-00-00	RADIATOR ASSEMBLY 2	1	
3	22W-12462-00-00	. CAP, RADIATOR	1	
4	38W-1240G-00-00	THERMOSTAT CVR ASSEMBLY	1	
5	38W-12417-00-00	HOUSING, THERMOSTAT	1	
6	38W-12410-00-00	THERMOSTAT ASSEMBLY	1	
7	33M-12412-00-00	SEAL, THERMOSTAT	1	
8	93210-41615-00	O-RING	1	
9	90153-06045-00	SCREW, HEXAGON	1	
10	90430-06014-00	GASKET	1	
11	90153-06034-00	SCREW, HEXAGON	1	
12	91316-06016-00	BOLT, SOCKET HEAD	2	
13	38W-12481-00-00	PIPE 1	1	
14	38W-12482-00-00	PIPE 2	1	
15	38W-12483-00-00	PIPE 3	1	
16	38W-12484-00-00	PIPE 4	1	
17	38W-12485-00-00	PIPE 5	1	
18	38W-12476-00-00	PIPE 6	1	
19	38W-12477-00-00	PIPE 7	1	
20	90460-31253-00	CLAMP, HOSE	8	
21	90460-12268-00	CLAMP, HOSE	2	
22	90467-20086-00	CLIP	2	
23	90467-22100-00	CLIP, SCISSOR	2	
24	90480-15363-00	GROMMET	4	
25	90387-07598-00	COLLAR	4	
26	90201-060A3-00	WASHER, PLATE	4	
27	95026-06020-00	BOLT, FLANGE	4	

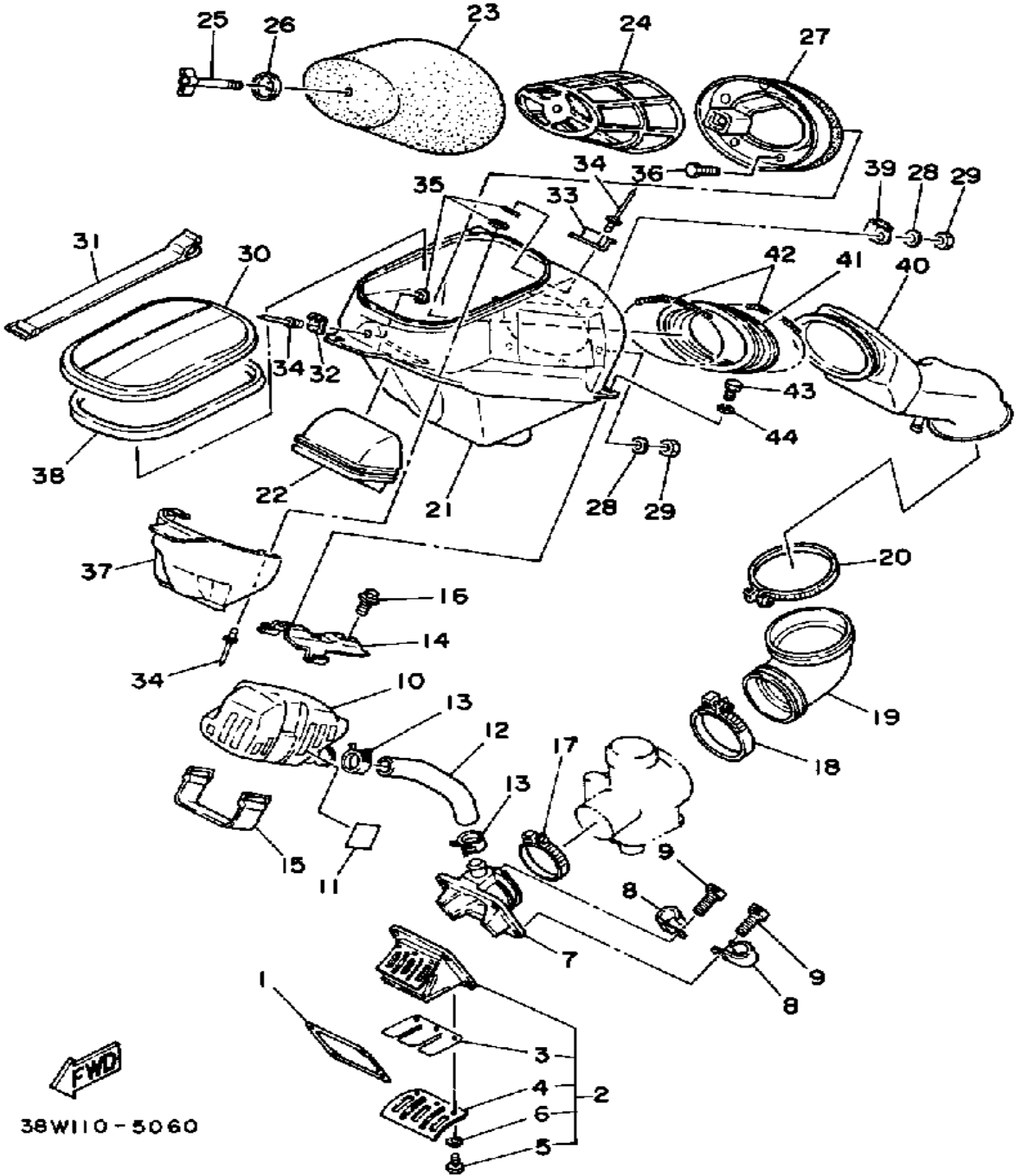
FUEL PUMP-DRIVE GEAR



38W110-5050

Ref. No.	Part Number	Description	Qty	Remarks
1	38W-13910-01-00	FUEL PUMP ASSEMBLY (38W-13910-00)	1	
2	90445-09304-00	HOSE	1	
3	90467-08003-00	CLIP	2	
4	90445-11147-00	HOSE	2	
5	38W-13976-00-00	HOSE, FUEL 6	1	
6	90467-10091-00	CLIP, SCISSOR	6	
7	90413-09022-00	3-WAY	1	
8	95811-06012-00	BOLT, FLANGE	3	
9	38W-24500-01-00	FUEL COCK ASSEMBLY (38W-24500-00)	1	
10	95811-06012-00	BOLT, FLANGE	1	

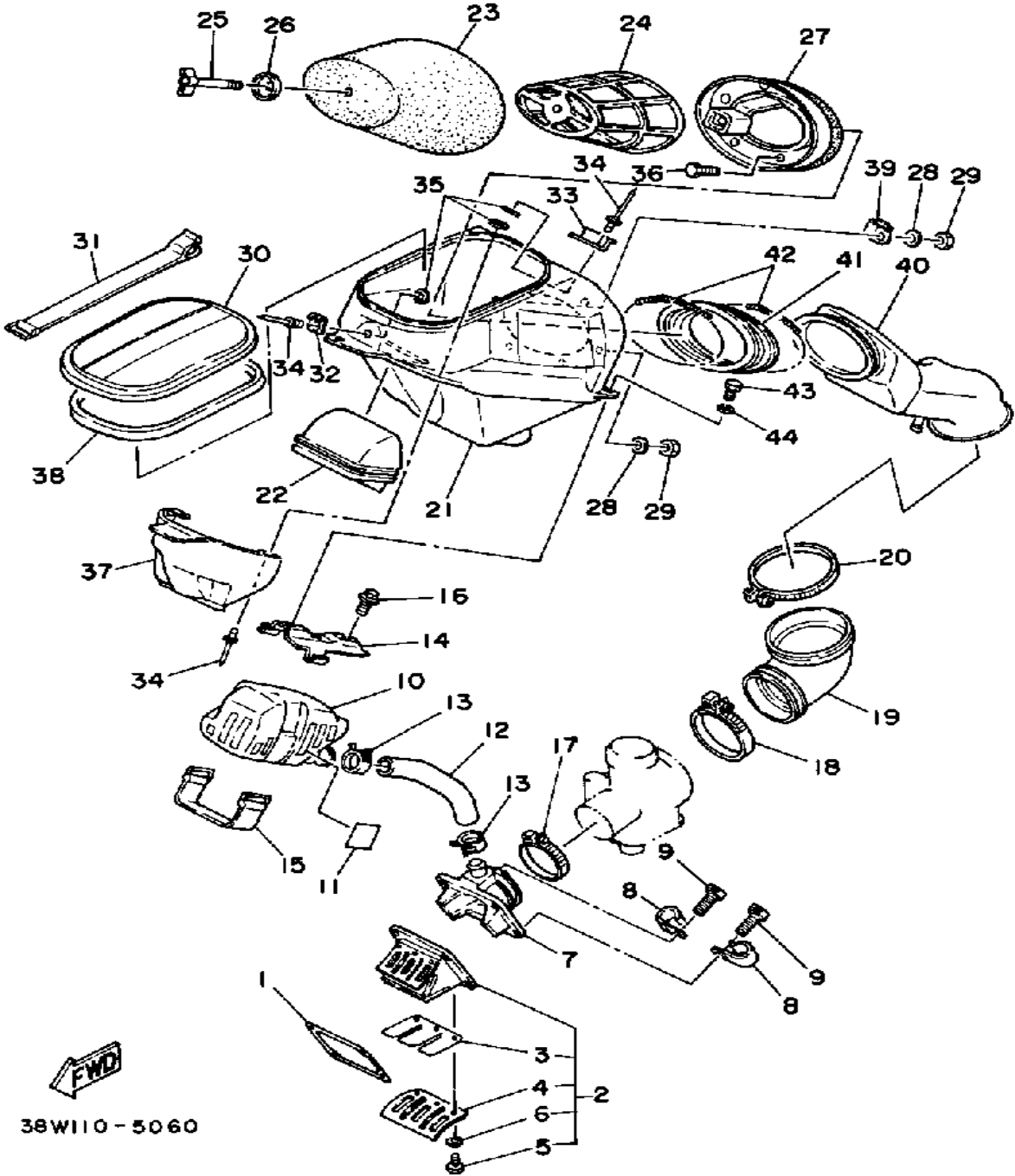
AIR FILTER



Ref. No.	Part Number	Description	Qty	Remarks
1	80L-13621-01-00	GASKET, VALVE SEAT	1	
2	3R5-13610-00-00	REED VALVE ASSEMBLY	1	
3	3R5-13613-00-00	. REED, VALVE	2	
4	2X5-13616-00-00	. STOPPER, REED VALVE	2	
5	98580-03008-00	. SCREW, PAN HEAD	6	
6	92990-03100-00	. WASHER, SPRING (92901-03100)	6	
7	38W-13565-00-00	JOINT, CARBURETOR	1	
8	90465-08028-00	CLAMP	2	
9	91316-06020-00	BOLT, SOCKET HEAD	4	
10	38W-13581-00-00	CHAMBER, AIR	1	
11	4V3-1441K-00-00	EMBLEM	1	
12	38W-14465-00-00	PIPE	1	
13	90467-20050-00	CLIP, SCISSOR	2	
14	38W-2415F-00-00	STAY, CHAMBER	1	
15	1E6-82131-00-00	BAND, BATTERY	1	
16	95811-06010-00	BOLT, FLANGE	1	
17	90460-49058-00	CLAMP, HOSE	1	
18	90460-64065-00	CLAMP, HOSE	1	
19	38W-14453-00-00	JOINT, AIR CLNR 1	1	
20	90460-80229-00	CLAMP, HOSE	1	
21	38W-14411-00-00	CASE, AIR CLEANER 1	1	
22	38W-14437-00-00	DUCT	1	
23	38W-14451-00-00	ELEMENT, AIR CLNR	1	
24	38W-14458-00-00	GUIDE, ELEMENT	1	
25	90122-06013-00	BOLT, WING	1	
26	90209-06096-00	WASHER	1	
27	38W-14459-00-00	HOLDER, GUIDE	1	
28	92990-05200-00	WASHER, PLAIN	6	

CONTINUED ON NEXT FRAME ►

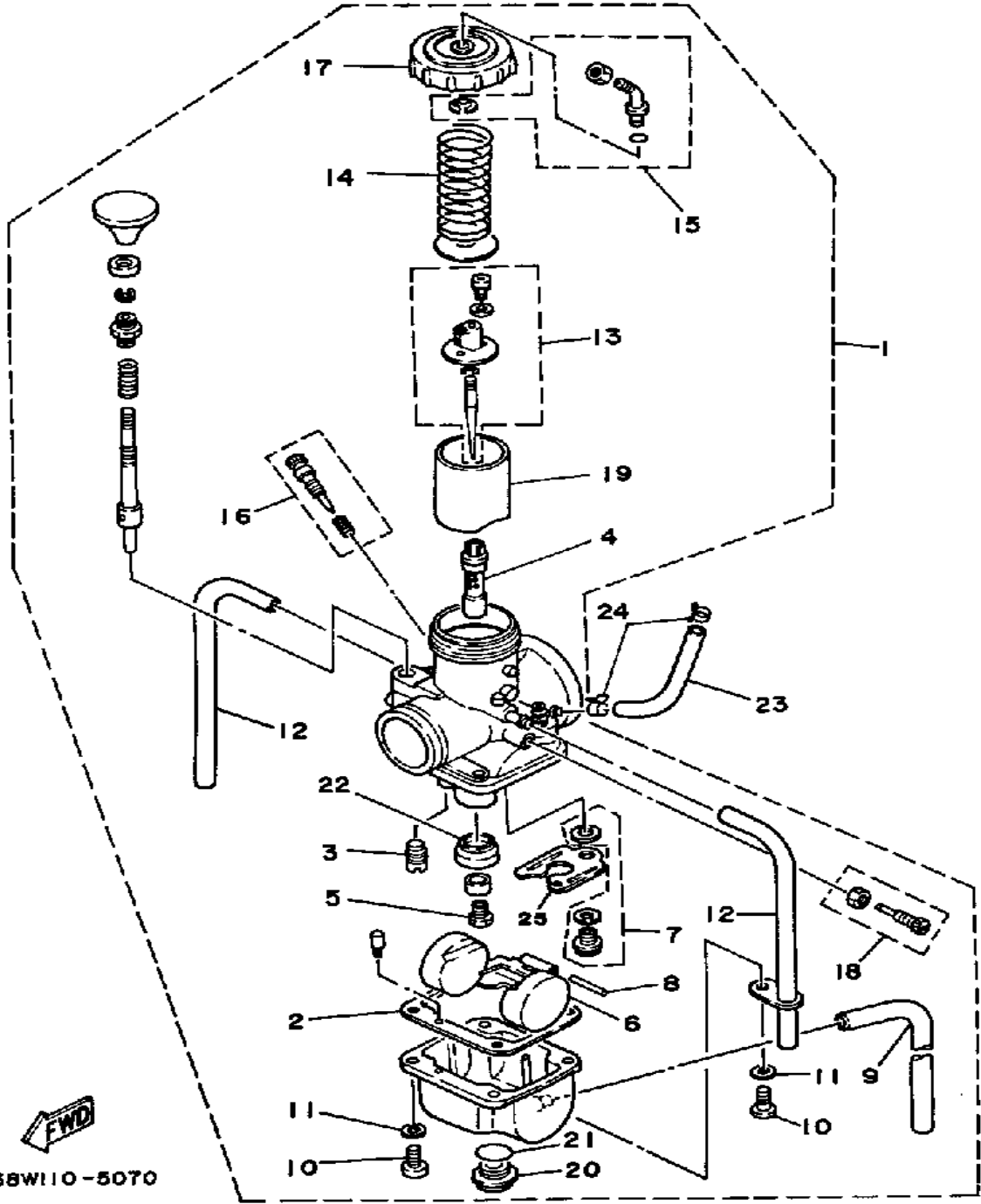
AIR FILTER



Ref. No.	Part Number	Description	Qty	Remarks
29	95601-05100-00	NUT, U	6	
30	38W-14412-01-00	CAP, CLEANER CASE 1	1	
31	5X3-14455-00-00	BAND	1	
32	34K-14484-00-00	PLATE, CLNR CS FTNGFITTING	1	
33	26A-14436-00-00	HOOK	1	
34	90267-40073-00	RIVET, BLIND	5	
35	92990-04200-00	WASHER, PLAIN	5	
36	97313-05014-00	BOLT, HEXAGON	4	
37	(38W-1441A-00-00)	COVER, CLNR CASE 1	1	
38	38W-28339-00-00	MOLD, LEG SHIELD	1	
39	90465-08028-00	CLAMP	1	
40	38W-14454-00-00	JOINT	1	
41	38W-14463-00-00	JOINT, AIR CLNR 2	1	
42	90506-06342-00	SPRING, TENSION (38)	2	
43	97313-06016-00	BOLT, HEXAGON	2	
44	90201-06067-00	WASHER, PLATE	2	

38W110-5060

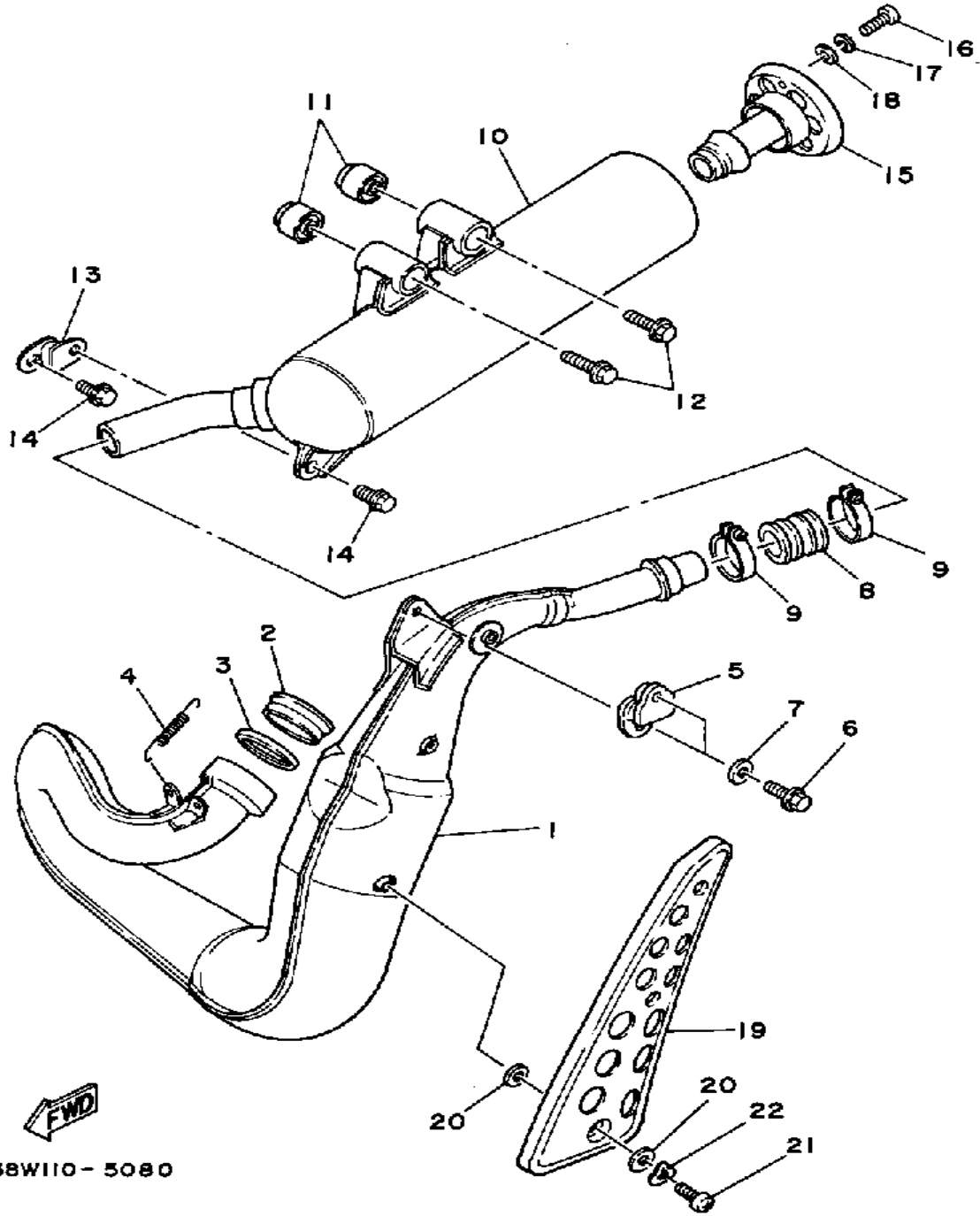
CARBURETOR



38W110-5070

Ref. No.	Part Number	Description	Qty	Remarks
1	38W-14101-01-00	CARBURETOR ASSEMBLY	1	
2	483-14184-00-00	. GASKET, FLOAT CHMBR	1	
3	193-14142-45-A1	. JET, PILOT (# 45)	1	
4	38W-14141-42-00	. NOZZLE, MAIN	1	
5	137-14143-94-00	. JET, MAIN (#470)	1	
6	24X-14185-00-00	. FLOAT	1	
7	38W-14107-15-00	. NEEDLE VALVE SEAT	1	
8	537-14186-00-00	. PIN, FLOAT	1	
9	90445-081F2-00	. HOSE	1	
10	98580-05016-00	. SCREW, PAN HEAD (98501-05016)	4	
11	92990-05100-00	. WASHER, SPRING	4	
12	310-14197-00-00	. PIPE, AIRVENT	2	
13	38W-1490J-00-00	. NEEDLE SET	1	
14	431-14131-00-00	. SPRING, THRTL VALVE	1	
15	24X-14106-00-00	. CBLE AJST SCRW SETSCREW SET	1	
16	23X-14104-00-00	. AIR SCREW SET	1	
17	3R3-14158-00-00	. TOP, MIXING CHAMBER	1	
18	24X-14103-00-00	. THROTTLE SCREW SET	1	
19	3R3-14112-20-00	. VALVE THROTTLE 1	1	
20	2K6-14115-00-00	. PLUG, SCREW	1	
21	2K6-14147-00-00	. O-RING	1	
22	3R3-14153-00-00	. WASHER, MAIN JET	1	
23	38W-14197-00-00	PIPE	1	
24	90467-09026-00	CLIP	2	
25	483-14146-00-00	PLATE	1	

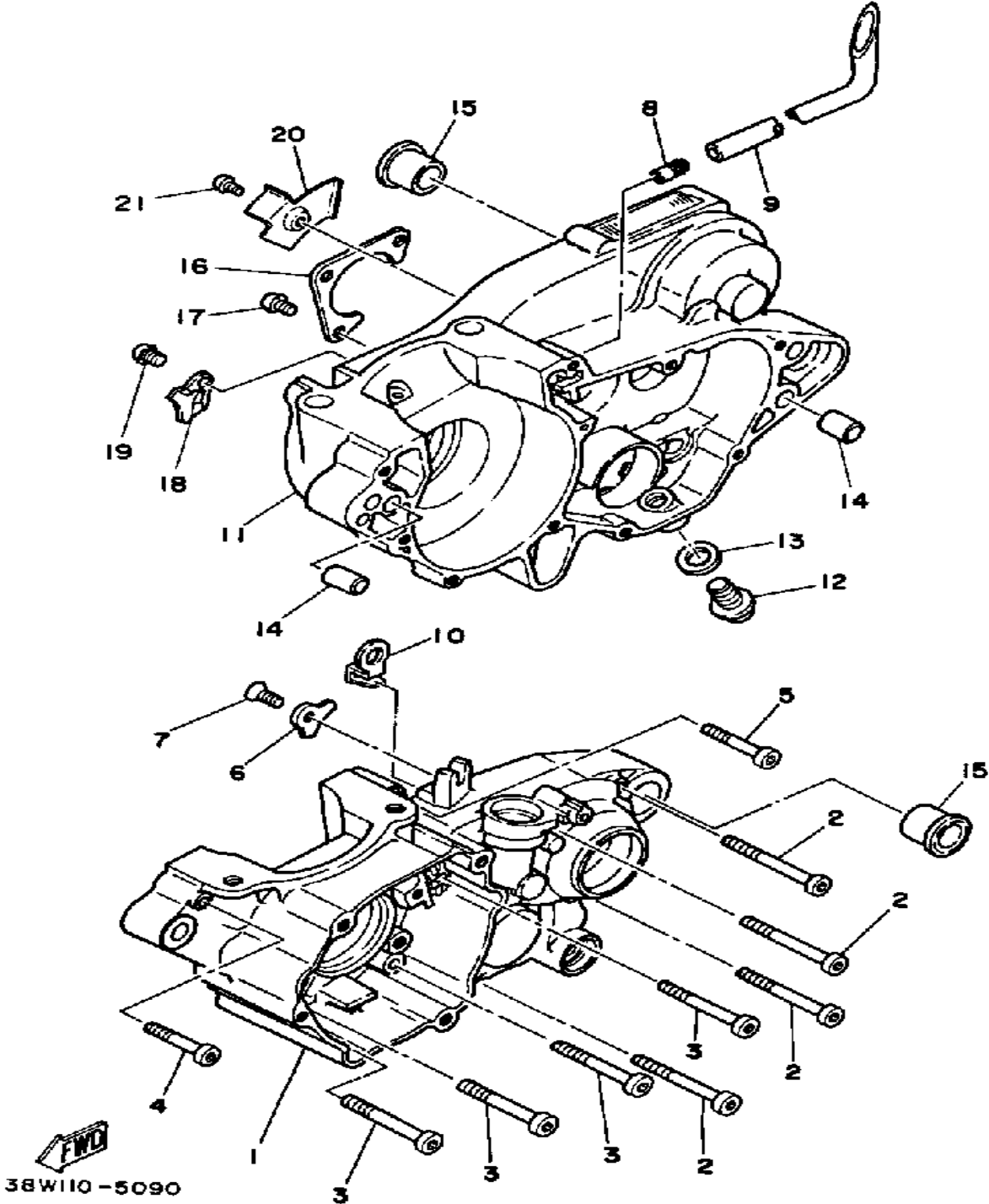
EXHAUST



Ref. No.	Part Number	Description	Qty	Remarks
1	38W-14610-00-00	EXHAUST PIPE ASSEMBLY L	1	
2	38W-14613-00-00	GASKET, EXST PIPE	1	
3	3R4-14613-00-00	GASKET, EXST PIPE	1	
4	90507-20030-00	SPRING, TENSION	3	
5	24Y-14771-00-00	STAY, MUFFLER 1	1	
6	95816-08016-00	BOLT, FLANGE	2	
7	90201-081H4-00	WASHER, PLATE	2	
8	1M1-14714-00-00	GASKET, MUFFLER	1	
9	90460-44272-00	CLAMP, HOSE (38W)	2	
10	38W-14753-00-00	SILENCER, EXHAUST	1	
11	29L-27414-01-00	DAMPER, FOOTREST	2	
12	95816-08040-00	BOLT, FLANGE	2	
13	565-14771-00-00	STAY, MUFFLER 1	1	
14	95816-06016-00	BOLT, FLANGE	2	
15	38W-14752-00-00	PIPE, OUTLET	1	
16	98516-06012-00	SCREW, PAN HEAD	2	
17	92906-06100-00	WASHER, SPRING	2	
18	92906-06600-00	WASHER	2	
19	(38W-14628-00-00)	PROTC, EXHAUST PIPE	1	
20	90202-05187-00	WASHER, PLATE	6	
21	98906-06010-00	SCREW, BIND	3	
22	90206-06090-00	WASHER, WAVE	3	

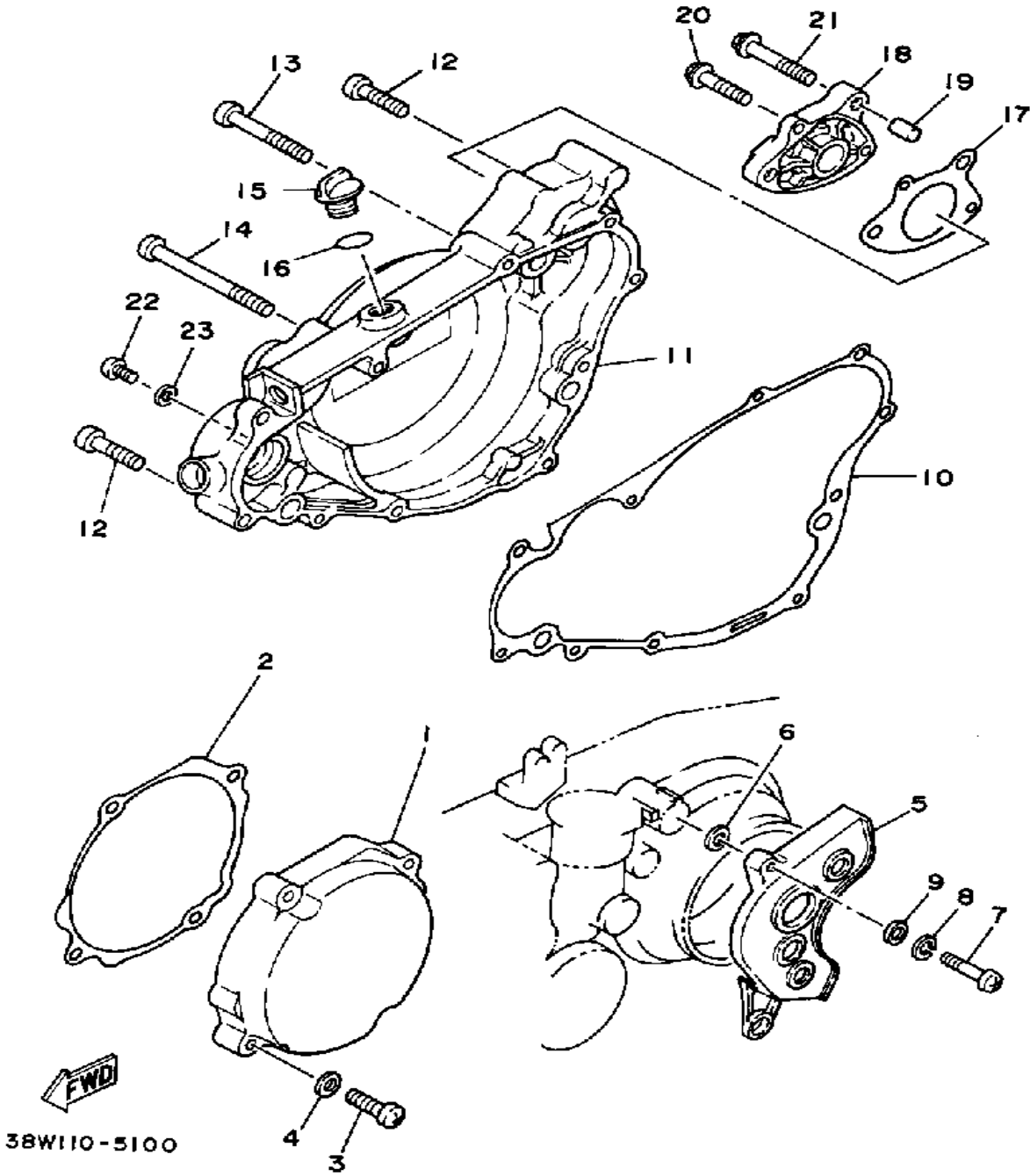
38W110-5080

CRANKCASE



Ref. No.	Part Number	Description	Qty	Remarks
1	5X5-15111-03-00	CRANKCASE 1	1	
2	91316-06060-00	BOLT	4	
3	91316-06055-00	BOLT, SOCKET HEAD	4	
4	91316-06045-00	BOLT, SOCKET HEAD	1	
5	91316-06040-00	BOLT, SOCKET HEAD	1	
6	3AK-15383-01-00	PLATE, BRNG COVER	1	
7	98603-06012-00	SCREW, OVAL HEAD (92701-06012)	1	
8	137-13115-00-00	CONNECTOR, SUCTION PIPE .	1	
9	90445-086A8-00	HOSE	1	
10	23X-26393-00-00	HOLDER	1	
11	5X5-15121-01-00	CRANKCASE 2	1	
12	90340-12097-00	PLUG, STRAIGHT SCREW	1	
13	90430-12207-00	GASKET	1	
14	99510-12016-00	PIN, DOWEL	4	
15	90387-160H4-00	COLLAR	2	
16	23X-15381-00-00	PLATE, BRNG COVER	1	
17	90157-06071-00	SCREW, PAN HEAD	3	
18	3R4-15118-00-00	HOLDER	1	
19	92501-08010-00	SCREW, PAN HEAD	1	
20	5X5-15113-00-00	PLATE	1	
21	90157-06071-00	SCREW, PAN HEAD	1	

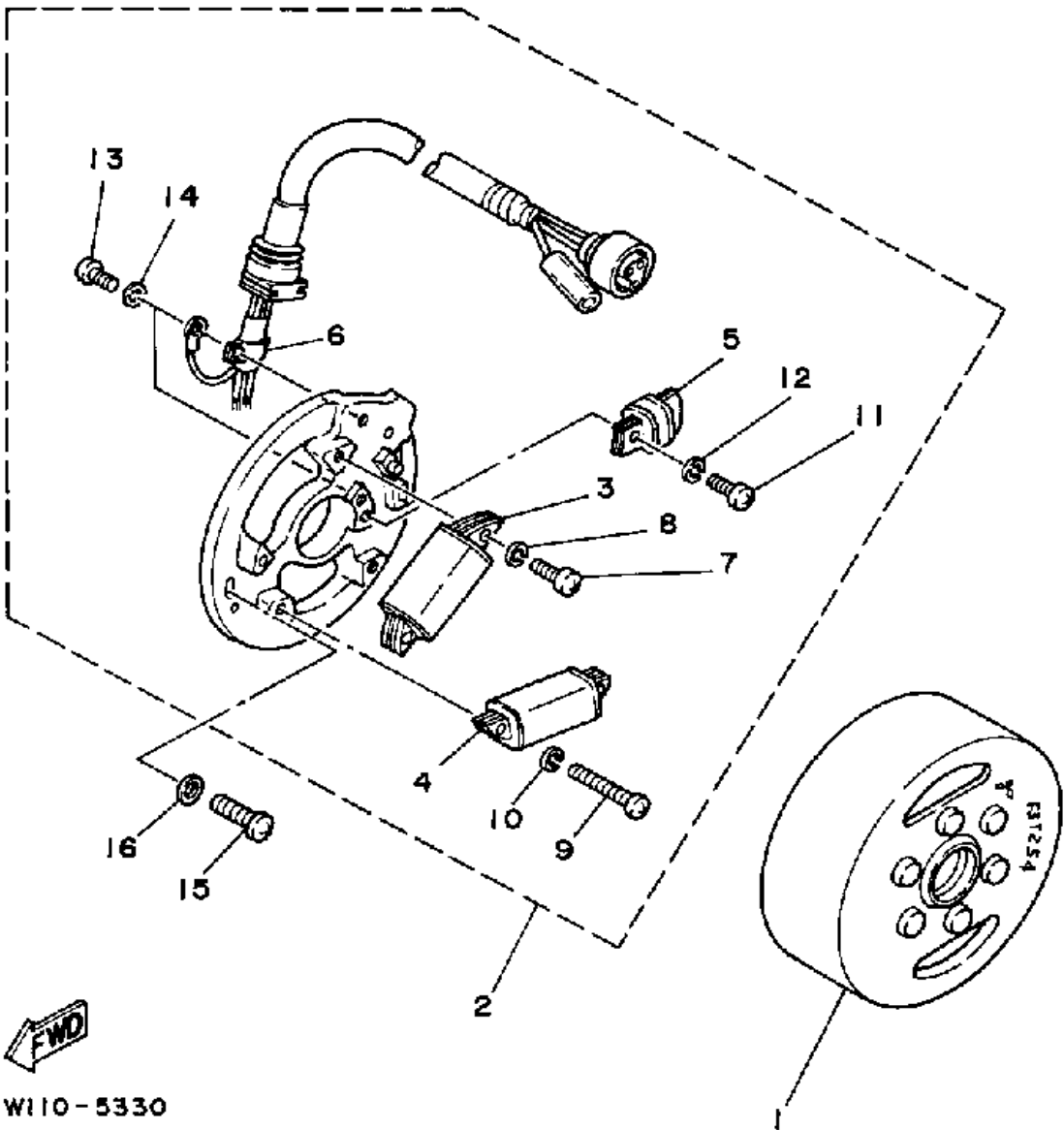
CRANKCASE COVER



Ref. No.	Part Number	Description	Qty	Remarks
1	38W-15411-00-00	COVER, CRANKCASE L	1	
2	38W-15451-00-00	GASKET, CRCS COVERCOVER 1	1	
3	98506-06035-00	SCREW, PAN HEAD	4	
4	92906-06600-00	WASHER	4	
5	23X-15421-00-00	COVER, CRANKCASE R	1	
6	90201-062J7-00	WASHER, PLATE	1	
7	98516-06030-00	SCREW, PAN HEAD	1	
8	92906-06100-00	WASHER, SPRING	1	
9	92906-06600-00	WASHER	1	
10	5X5-15462-00-00	GASKET, CRCS CVR 3COVER 3	1	
11	38W-15431-00-00	COVER, CRANKCASE 3	1	
12	91316-06025-00	BOLT	8	
13	91316-06045-00	BOLT, SOCKET HEAD	1	
14	91316-06065-00	BOLT, SOCKET HEAD	1	
15	1G8-15362-00-00	PLUG, OIL LEVEL	1	
16	93210-14104-00	O-RING	1	
17	38W-15462-00-00	GASKET, CRCS CVR 3COVER 3	1	
18	38W-15492-00-00	COVER	1	
19	99530-10014-00	PIN, DOWEL	2	
20	95816-06025-00	BOLT, FLANGE	2	
21	95816-06035-00	BOLT, FLANGE	2	
22	98506-06008-00 (92506-06008-00)	SCREW, PAN HEAD	1	
23	90430-06016-00	GASKET	1	

GENERATOR

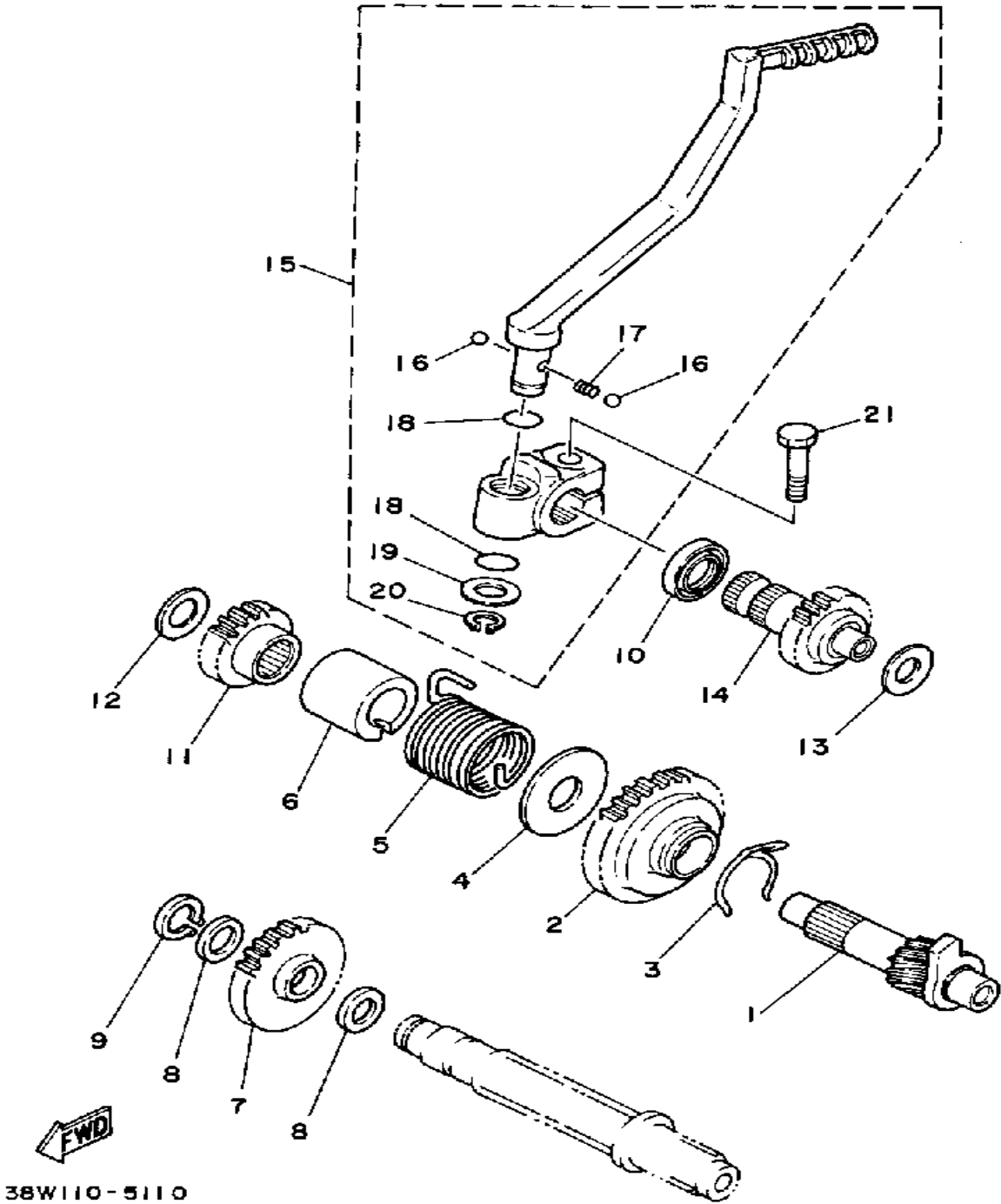
Ref. No.	Part Number	Description	Qty	Remarks
1	38W-85550-20-00	ROTOR ASSEMBLY	1	
2	38W-85510-20-00	STATOR ASSEMBLY	1	
3	38W-85512-20-00	. COIL, SOURCE	1	
4	38W-85513-20-00	. COIL, LIGHTING 1	1	
5	38W-85580-20-00	. COIL, PULSER	1	
6	445-81328-20-00	. CLAMP	1	
7	98503-04014-00	. SCREW, PAN HEAD	2	
8	92990-04100-00	. WASHER, SPRING	2	
9	98501-04035-00	. SCREW, PAN HEAD	2	
10	92990-04100-00	. WASHER, SPRING	2	
11	98503-04014-00	. SCREW, PAN HEAD	1	
12	92990-04100-00	. WASHER, SPRING	1	
13	98511-04006-00	. SCREW, PAN HEAD (98501-04005)	2	
14	92990-04100-00	. WASHER, SPRING	2	
15	98580-06020-00	SCREW	2	
16	90201-061A5-00	WASHER, PLATE	2	



38W110-5330

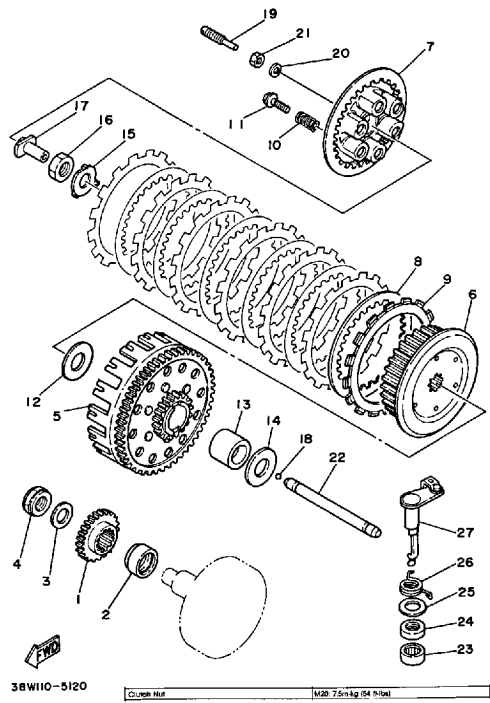
STARTER

Ref. No.	Part Number	Description	Qty	Remarks
1	38W-15660-00-00	KICK AXLE ASSEMBLY	1	
2	3R4-15641-00-00	GEAR, KICK	1	
3	90468-26048-00	CLIP	1	
4	90201-20358-00	WASHER, PLATE	1	
5	90508-30422-00	SPRING, TORSION	1	
6	3R4-15664-00-00	GUIDE, SPRING	1	
7	3R4-15651-00-00	GEAR, KICK IDLE	1	
8	90201-17545-00	WASHER, PLATE	2	
9	99009-17400-00	CIRCLIP	1	
10	93102-20309-00	SEAL, OIL	1	
11	38W-15641-00-00	GEAR, KICK	1	
12	90201-13205-00	WASHER, PLATE	1	
13	90201-150H2-00	WASHER, PLATE	1	
14	38W-15601-00-00	KICK SHAFT ASSEMBLY	1	
15	38W-15620-00-00	KICK CRANK ASSEMBLY	1	
16	93507-32031-00	. BALL	2	
17	90501-10589-00	. SPRING, COMPRESSION	1	
18	93210-15566-00	. O-RING	2	
19	90201-15340-00	. WASHER, PLATE	1	
20	99006-10600-00	. CIRCLIP	1	
21	97313-08030-00	BOLT, HEXAGON	1	



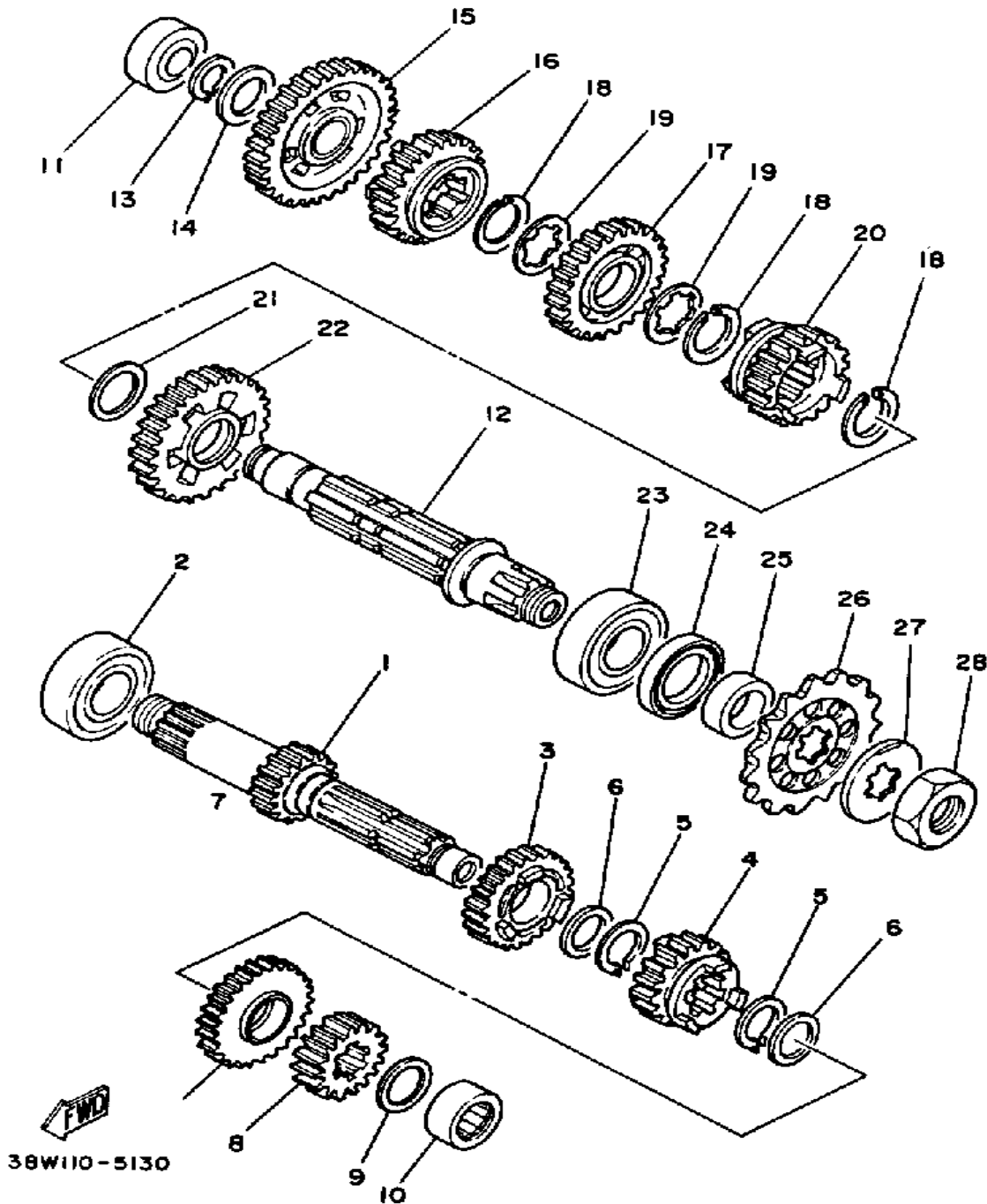
38W110-5110

CLUTCH



Ref. No.	Part Number	Description	Qty	Remarks
1	24Y-16111-00-00	GEAR, PRI DRIVE	1	
2	90387-252F6-00	COLLAR	1	
3	90201-186H3-00	WASHER, PLATE	1	
4	90185-18126-00	NUT, SELF-LOCKING	1	
5	39X-16150-00-00	PRI DRVN GEAR GEAR COMP	1	
6	23X-16371-00-00	BOSS, CLUTCH	1	
7	23X-16351-00-00	PLATE, PRESSURE 1	1	
8	4H7-16325-00-00	PLATE, CLUTCH 2	6	
9	5X5-16321-00-00	PLATE, FRICTION	7	
10	90501-23428-00	SPRING, COMPRESSION	6	
11	90159-06016-00	SCREW, WITH WASHER	6	
12	2K7-16154-00-00	PLATE, THRUST 1	1	
13	2K7-16181-00-00	SPACER 1	1	
14	2K7-16154-00-00	PLATE, THRUST 1	1	
15	90215-20212-00	WASHER, LOCK	1	
16	90170-20255-00	NUT	1	
17	23X-16356-00-00	ROD, PUSH 1	1	
18	93515-32029-00	BALL	1	
19	90149-06178-00	SCREW, SPEC'L SHAPE	1	
20	92995-06100-00	WASHER, SPRING	1	
21	95380-06600-00	NUT	1	
22	2K7-16357-01-00	ROD, PUSH 2	1	
23	93315-21721-00	BEARING, CYLINDER.# 5	1	
24	93102-17263-00	OIL SEAL	1	
25	90201-17327-00	WASHER, PLATE	1	
26	90508-14423-00	SPRING, TORSION	1	
27	1LV-16380-00-00	PUSH LEVER ASSEMBLY	1	

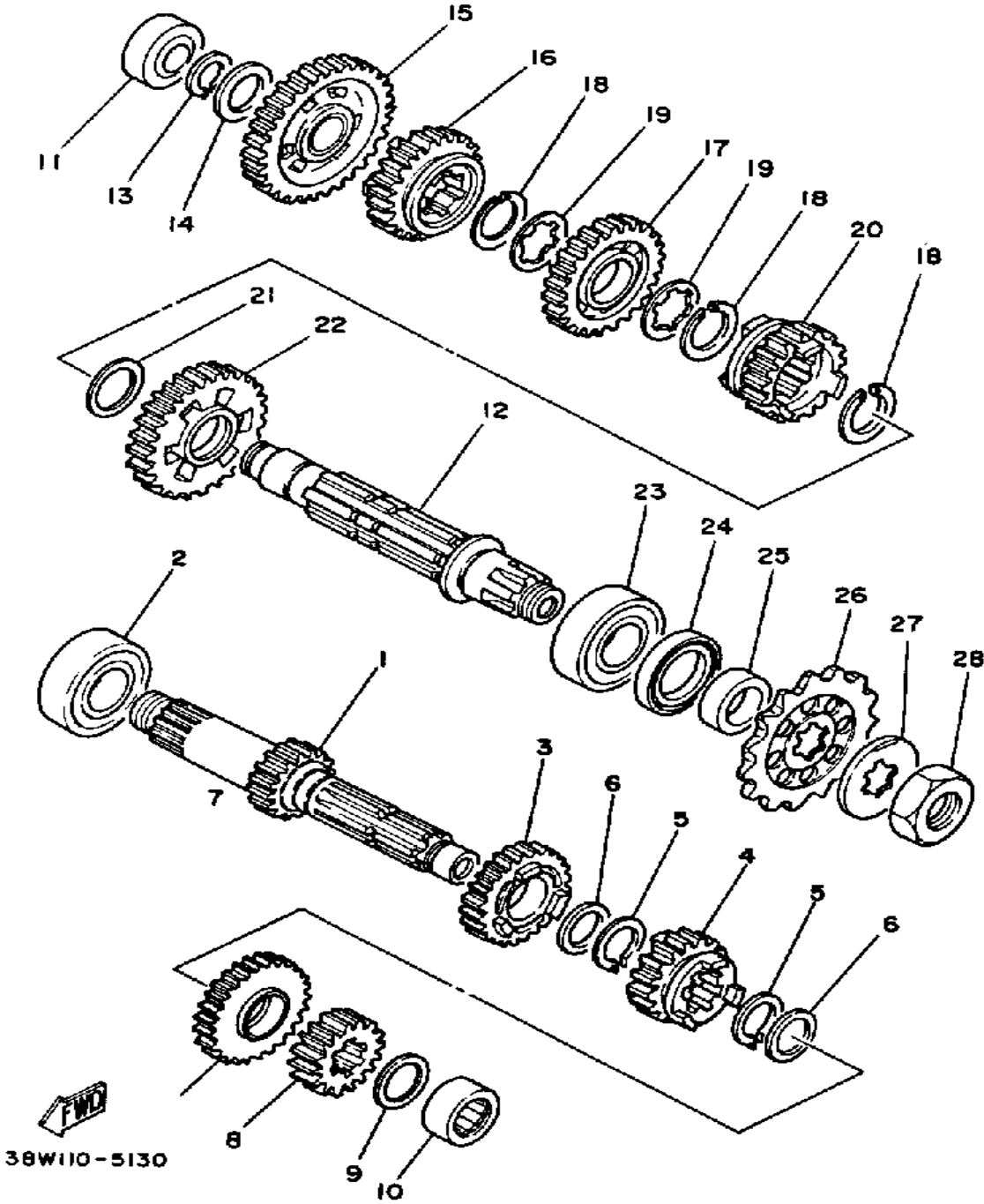
TRANSMISSION



Ref. No.	Part Number	Description	Qty	Remarks
1	38W-17411-00-00	AXLE, MAIN	1	
2	93300-20501-00	BEARING	1	
3	5X5-17141-00-00	GEAR, 4TH PINION	1	
4	5X5-17131-00-00	GEAR, 3RD PINION	1	
5	93410-22039-00	CIRCLIP	2	
6	90201-22555-00	WASHER, PLATE	2	
7	5X5-17151-00-00	GEAR, 5TH PINION	1	
8	24Y-17121-00-00	GEAR, 2ND PINION	1	
9	90209-17311-00	WASHER, SPEC'L SHAP	1	
10	93311-41734-00	BEARING, CYLINDER.# 1	1	
11	93311-62035-00	BEARING, CYLINDER.# 1	1	
12	38W-17421-00-00	AXLE, DRIVE	1	
13	93410-20038-00	CIRCLIP	1	
14	90201-20278-00	WASHER, PLATE	1	
15	38W-17211-00-00	GEAR, 1ST WHEEL	1	
16	5X5-17241-00-00	GEAR, 4TH WHEEL	1	
17	5X5-17231-00-00	GEAR, 3RD WHEEL	1	
18	93440-25084-00	CIRCLIP	3	
19	90209-22082-00	WASHER (0.5T)	2	
20	5X5-17251-00-00	GEAR, 5TH WHEEL	1	
21	90201-253K0-00	WASHER, PLATE (T=1.0)	1	
22	24Y-17221-01-00	GEAR, 2ND WHEEL	1	
23	93300-20501-00	BEARING	1	
24	93102-32M07-00	OIL SEAL	1	
25	90387-251L8-00	COLLAR	1	
26	93834-12016-00	SPROCKET, DRIVE 12T (38V1746120)	1	ALTERNATE PART
	93834-13030-00	SPROCKET, DRIVE 13T (23X1746130)	1	STD

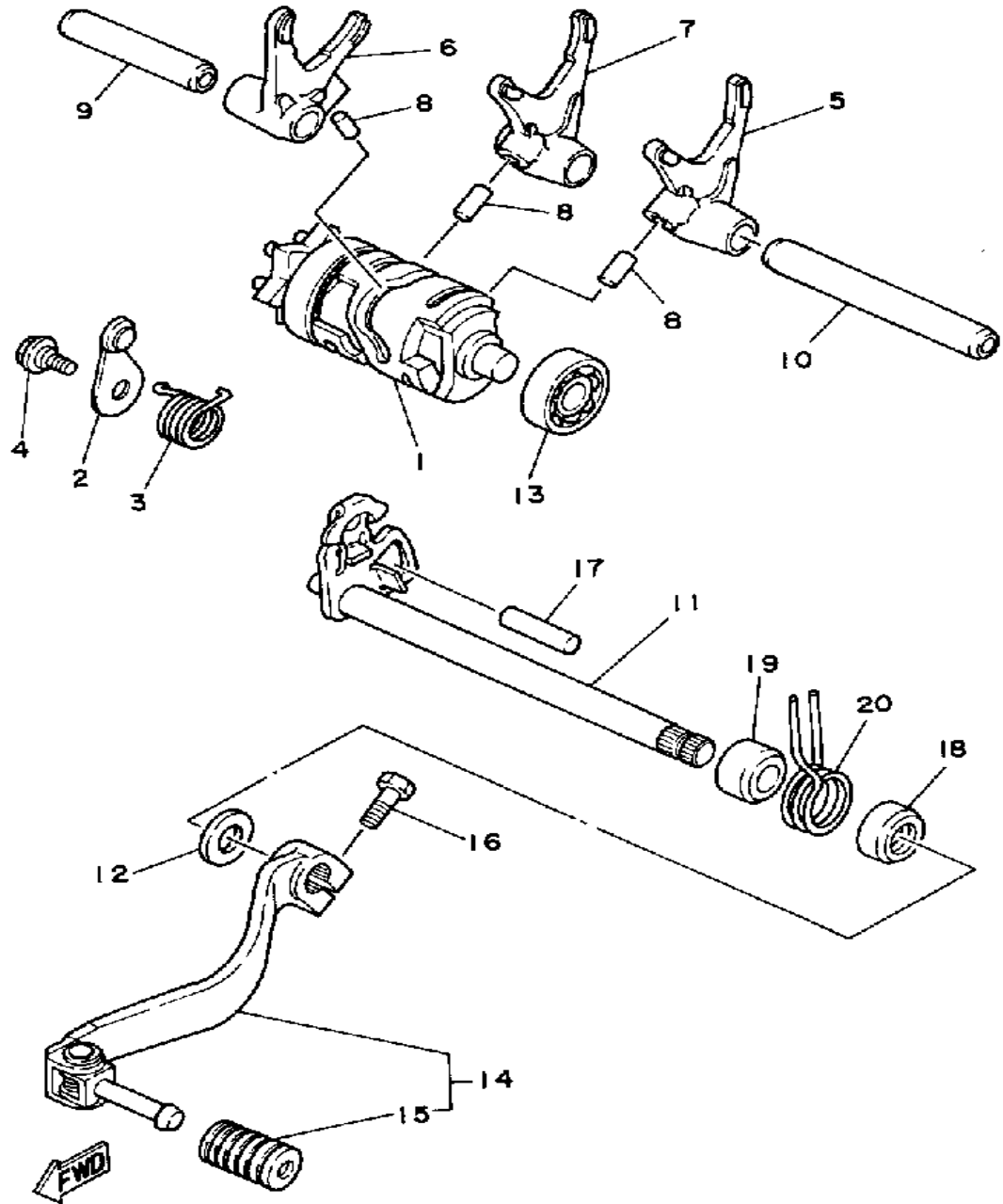
CONTINUED ON NEXT FRAME ►

TRANSMISSION



Ref. No.	Part Number	Description	Qty	Remarks
26	93834-14051-00	SPROCKET, DRIVE (23X-17461-40)	1	ALTERNATE PART
27	90215-21239-00	WASHER, LOCK	1	
28	90179-20255-00	NUT	1	

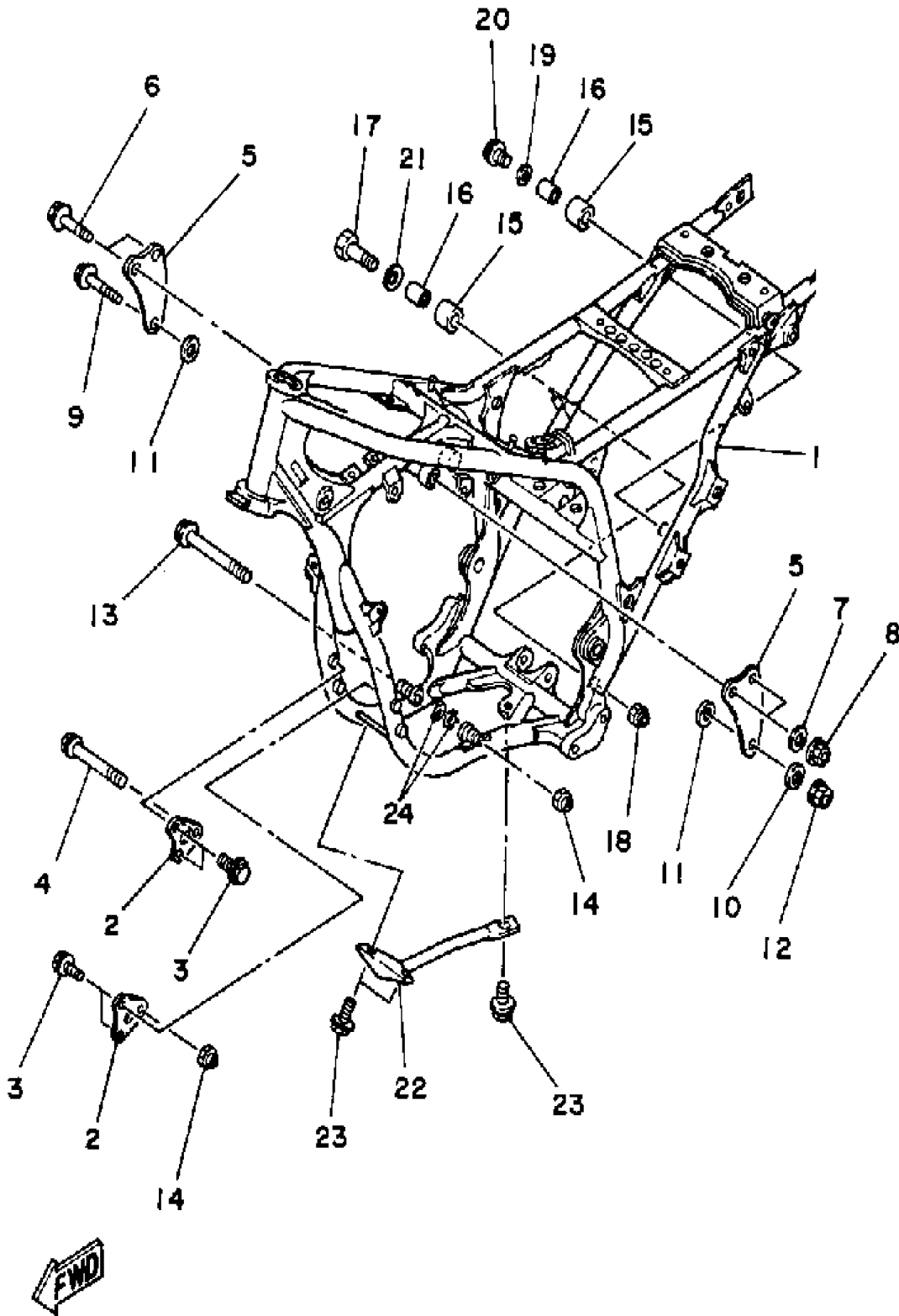
SHIFT CAM-FORK



38W110-5140

Ref. No.	Part Number	Description	Qty	Remarks
1	24Y-18540-00-00	SHIFT CAM ASSEMBLY	1	
2	3R4-18140-00-00	STOPPER LEVER ASSEMBLY .	1	
3	90508-26608-00	SPRING, TORSION	1	
4	50W-21631-00-00	BOLT 1	1	
5	5X5-18511-00-00	FORK, SHIFT 1	1	
6	4V3-18512-00-00	FORK, SHIFT 2	1	
7	5X5-18513-00-00	FORK, SHIFT 3	1	
8	93606-14154-00	PIN, DOWEL	3	
9	5X5-18531-01-00	BAR, SHIFT FORK GUIDE 1 ...	1	
10	5X5-18535-01-00	BAR, SHIF FRK GDE 2	1	
11	38W-18101-01-00	SHIFT SHAFT ASSEMBLY. 1 ..	1	
12	90201-12657-00	WASHER, PLATE	1	
13	93306-00106-00	BEARING	1	
14	38W-18110-00-00	SHIFT PEDAL ASSEMBLY	1	
15	1W6-18113-00-00	. COVER, SHIFT PEDAL	1	
16	97011-06020-00	BOLT	1	
17	93608-25150-00	PIN, DOWEL	1	
18	93102-12321-00	OIL SEAL, SD-TYPE	1	
19	90560-12171-00	SPACER	1	
20	90508-29361-00	SPRING, TORSION	1	

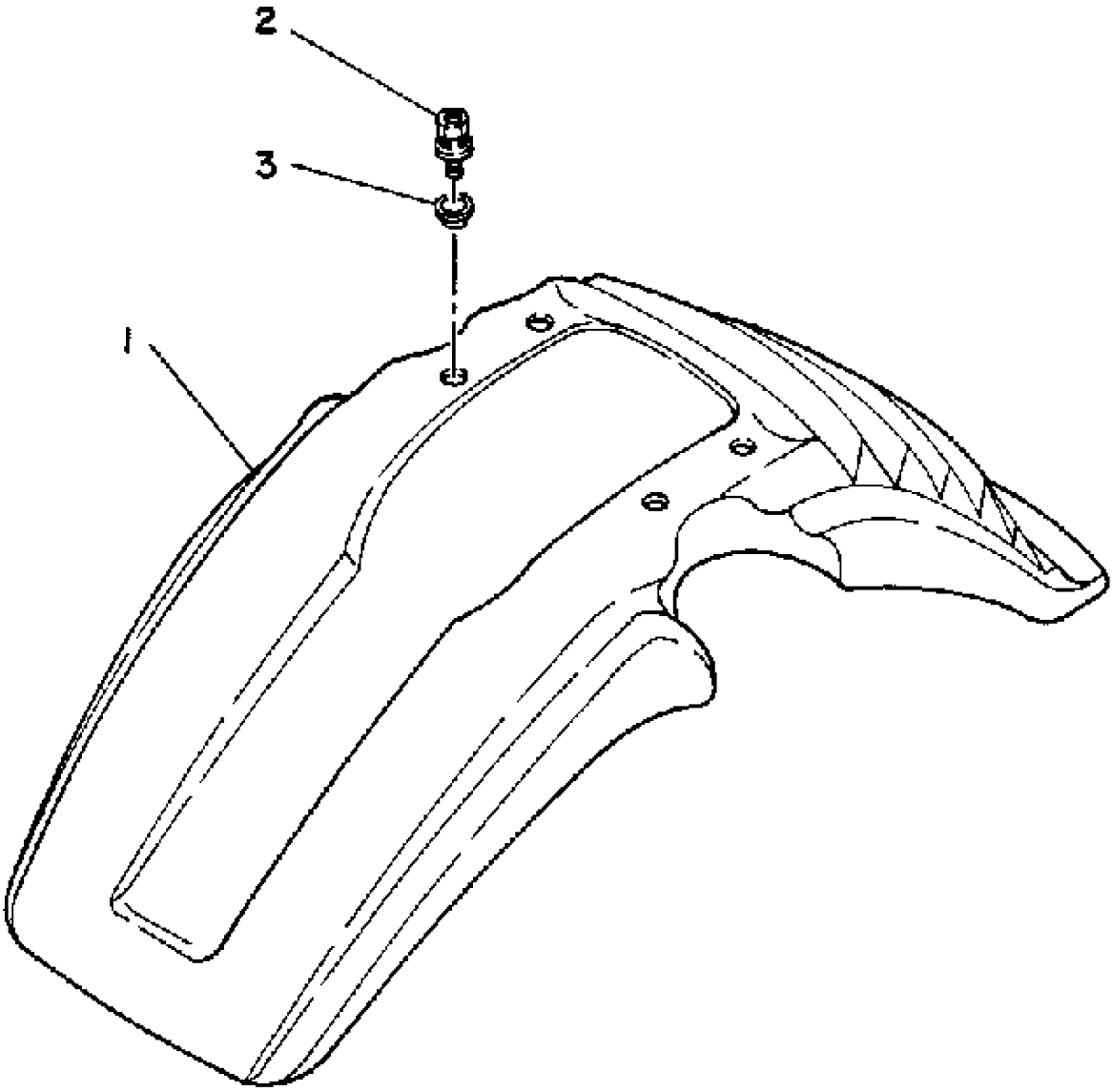
FRAME



Ref. No.	Part Number	Description	Qty	Remarks
1	(38W-21110-00-26)	FRAME	1	COMP. YELLOW
	(38W-21110-00-FH)	FRAME (RED)	1	FIRE RED
2	24Y-21415-00-00	BRACKET, FRT UPR 1	2	
3	95821-08025-00	BOLT, FLANGE	4	
4	95811-08100-00	BOLT	1	
5	38W-21425-00-00	BRACKET, REAR UPR 1	2	
6	95811-08055-00	BOLT, FLANGE	2	
7	90202-08022-00	WASHER, PLATE	2	
8	95601-08200-00	NUT, U	2	
9	95811-10055-00	BOLT, FLANGE	1	
10	92990-10200-00	WASHER, PLAIN	1	
11	90201-100A1-00	WASHER, PLATE	2	
12	95601-10200-00	NUT, SELF-LOCKING	1	
13	95811-08180-00	BOLT, FLANGE	1	
14	95601-08200-00	NUT, U	2	
15	30X-22178-00-00	TENSIONER	2	
16	4V4-22184-00-00	BUSH	2	
17	90109-08705-00	BOLT	1	
18	95601-08200-00	NUT, U	1	
19	90201-08753-00	WASHER, PLATE	1	
20	95811-08012-00	BOLT, FLANGE	1	
21	90201-13202-00	WASHER, PLATE	1	
22	38W-21471-00-00	PROTECTOR, ENGINE	1	
23	95816-06012-00	BOLT, FLANGE	3	
24	90214-09019-00	WASHER, CLAW	2	

38W110-5150

FRONT FENDER



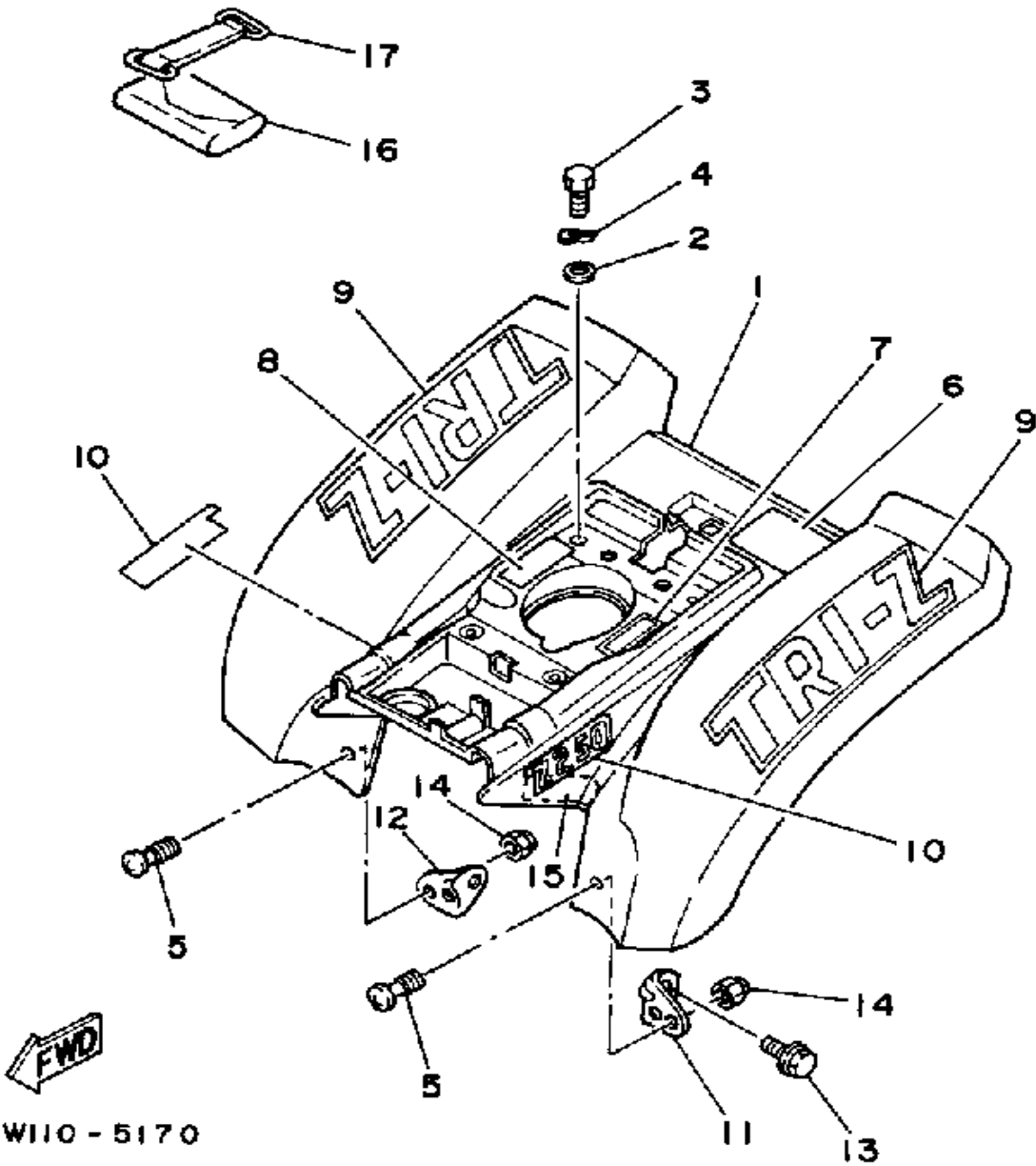
Ref. No.	Part Number	Description	Qty	Remarks
1	(38W-21511-01-00)	FENDER, FRONT	1	COMP. YELLOW
	1RX-21511-10-00	FENDER, FRONT	1	YAMAHA BLACK
2	90119-06097-00	BOLT, WITH WASHER	4	
3	90209-06187-00	WASHER	4	



38W110- 5160

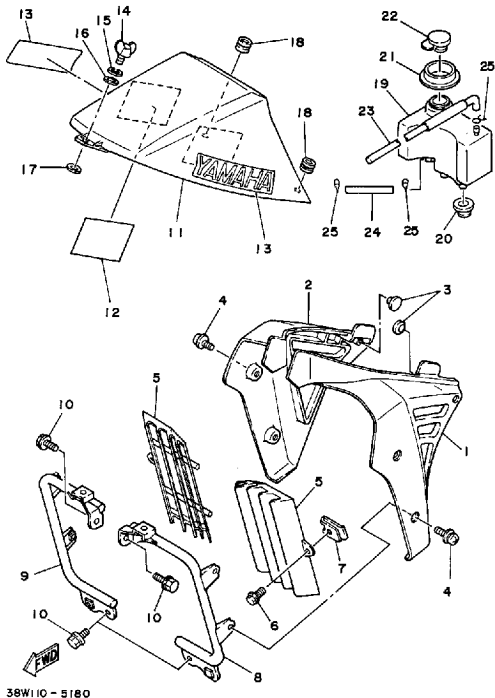
REAR FENDER

Ref. No.	Part Number	Description	Qty	Remarks
1	1RX-21611-10-00	FENDER, REAR	1	YAMAHA BLACK
	38W-21611-01-00	FENDER, REAR	1	COMP. YELLOW
2	90201-06073-00	WASHER, PLATE	4	
3	97313-06016-00	BOLT, HEXAGON	4	
4	92901-06700-00	WASHER, WAVE (92902-06700)	4	
5	90149-06306-00	SCREW	2	
6	(38W-21659-00-00)	LABEL, SAFETY	1	
7	5X9-2415A-00-00	LABEL, CAUTION	1	
8	(38W-21696-00-00)	LABEL, CAUTION	1	
9	38W-2163G-00-00	EMBLEM 1	2	FOR COMP YELLOW
	38W-2163G-30-00	EMBLEM 1	2	FOR YAMAHA BLK
10	38W-2163H-00-00	EMBLEM 2	2	FOR COMP YELLOW
11	38W-21613-00-00	STAY, FENDER 1	1	
	38W-2163H-30-00	EMBLEM 2	1	FOR YAMAHA BLK
12	38W-21614-00-00	STAY, FENDER 2	1	
13	95811-06012-00	BOLT, FLANGE	2	
14	95601-06100-00	NUT, U	2	
15	(38W-21652-00-00)	PROTECTOR	1	
16	1W2-W2810-00-00	TOOL KIT	1	
17	21V-21376-00-00	BAND, TOOL	1	



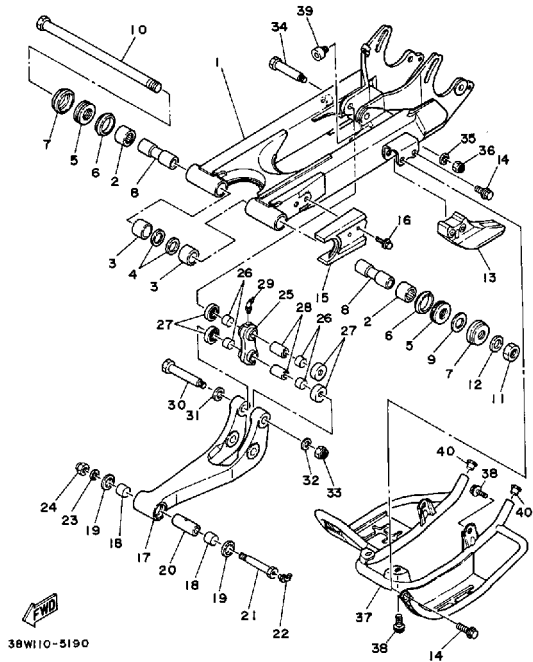
38W110 - 5170

SIDE COVER



Ref. No.	Part Number	Description	Qty	Remarks
1	38W-21711-00-00	COVER, SIDE 1	1	COMP. YELLOW
	38W-21711-10-00	COVER, SIDE 1	1	YAMAHA BLACK
2	38W-21721-00-00	COVER, SIDE 2	1	COMP. YELLOW
	38W-21721-10-00	COVER, SIDE 2	1	YAMAHA BLACK
3	22W-24181-00-00	DAMPER, LOCATING 1	2	
4	90159-05100-00	SCREW, WITH WASHER	4	
5	38W-2172A-00-00	PANEL 1	2	
6	90159-05018-00	SCREW, WITH WASHER	2	
7	22W-21791-00-00	NUT	2	
8	38W-2172E-00-00	STAY, SIDE COVER 1	1	
9	38W-2174E-00-00	STAY, SIDE COVER 2	1	
10	95816-08012-00	BOLT, flange	4	
11	38W-21731-00-00	COVER, SIDE 3	1	
12	5X2-24183-00-00	DAMPER, LOCATING 3	2	
13	38W-21781-00-00	EMBLEM 1	2	
14	90122-06021-00	BOLT, WING (38W)	1	
15	92995-06100-00	WASHER, SPRING	1	
16	90201-06067-00	WASHER, PLATE	1	
17	90179-06013-00	NUT, SPEC'L SHAPE	1	
18	90480-12053-00	GROMMET	2	
19	38W-21871-00-00	TANK, RECOVERY	1	
20	90480-18171-00	GROMMET	2	
21	90480-48399-00	GROMMET	1	
22	10V-21875-00-00	CAP	1	
23	(38W-21744-00-00)	BREATHER	1	
24	90445-09271-00	HOSE	1	
25	90467-08003-00	CLIP	3	

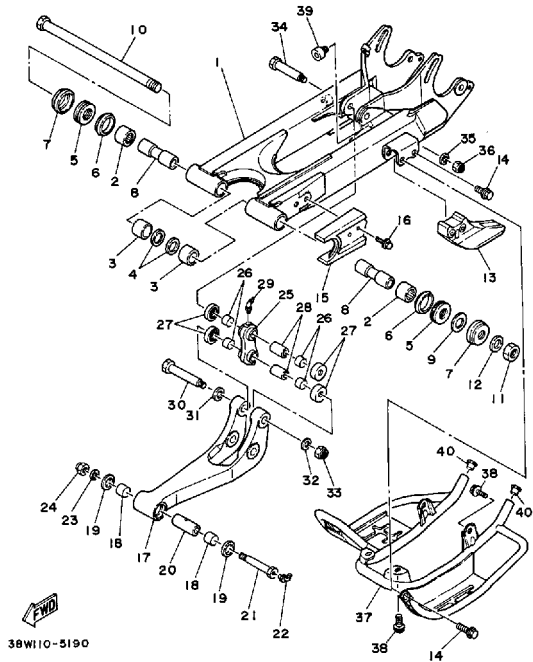
SWING ARM-SUSPENSION



Ref. No.	Part Number	Description	Qty	Remarks
1	38W-22110-00-35	REAR ARM	1	SILVER
2	93317-22208-00	BEARING, CYLINDER.# 7	2	
3	90386-22097-00	BUSH, SPEC'L NYLON	2	
4	93109-22018-00	OIL SEAL, SDO-TYPE	2	
5	93342-22208-00	BEARING, FLAT # 2	2	
6	93108-35004-00	OIL SEAL (35-41-8)	2	
7	3R4-22129-00-00	COVER, THRUST 2	2	
8	90381-16056-00	BUSH, SOLID	2	
9	240-22127-00-00	SHIM	1	U.N.
10	38W-22141-00-00	SHAFT, PIVOT	1	
11	90185-16127-00	NUT, SELF-LOCKING	1	
12	90201-160F6-00	WASHER, PLATE	1	
13	38W-22199-00-00	SUPPORT, CHAIN	1	
14	95811-08045-00	BOLT, FLANGE (JN5)	2	
15	38W-22147-00-00	PROTECTOR, CHAIN	1	
16	95811-06012-00	BOLT, FLANGE	2	
17	(38W-2217A-00-00)	ARM, RELAY	1	
18	90384-18157-00	BUSH, BIMETAL FORMED	2	
19	93109-18020-00	OIL SEAL	2	
20	90387-121L6-00	COLLAR	1	
21	90109-10752-00	BOLT	1	
22	93700-06009-00	NIPPLE, GREASE	1	
23	90201-100F7-00	WASHER, PLATE	1	
24	90185-10120-00	NUT, SELF-LOCKING	1	
25	38W-2217F-00-00	ROD, CONNECTING 1	1	
26	90383-19026-00	BUSH, FORMED	4	
27	5X6-22129-00-00	COVER, THRUST 2	4	
28	90387-121L7-00	COLLAR	2	
29	93700-06009-00	NIPPLE, GREASE	1	

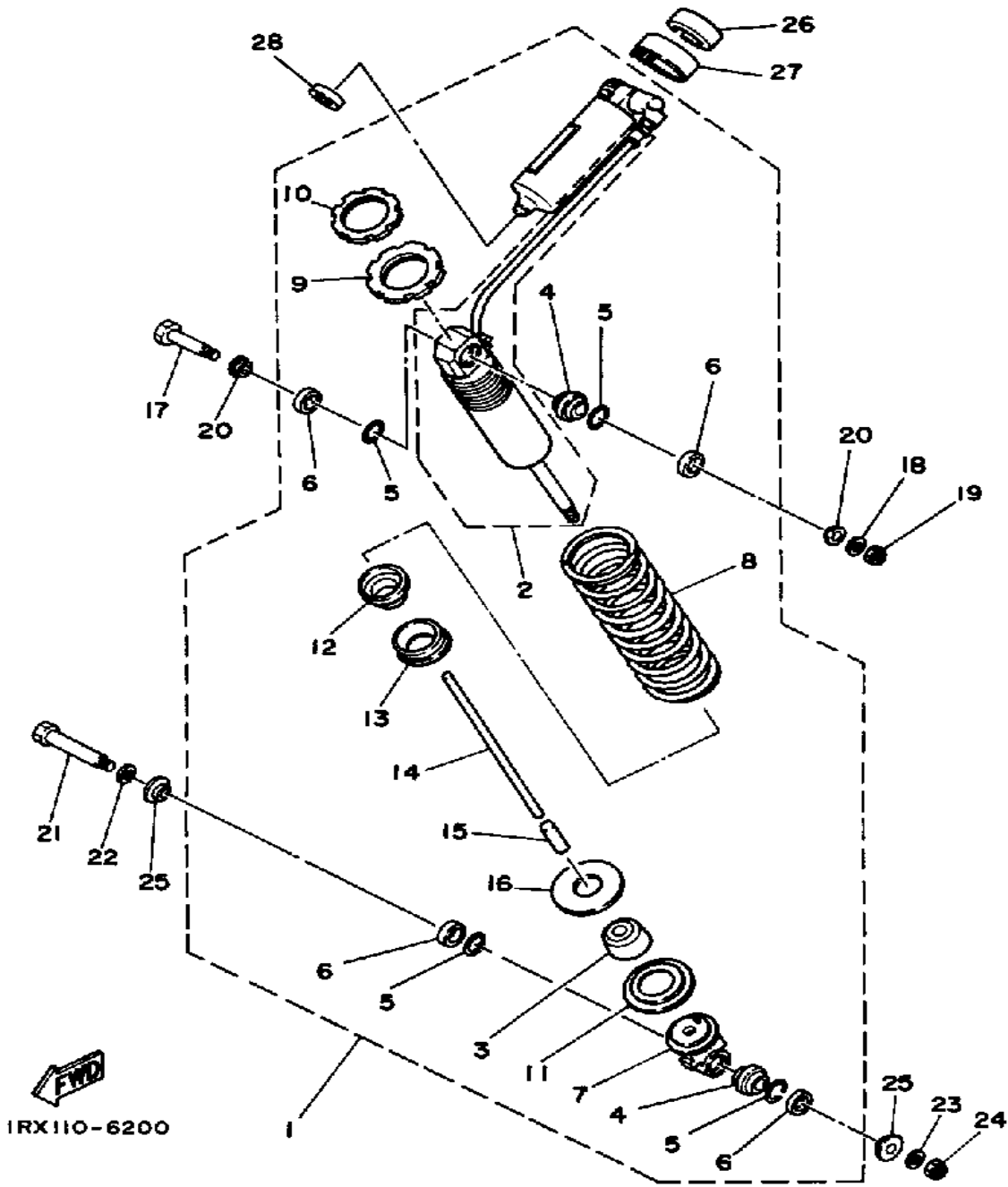
CONTINUED ON NEXT FRAME ➤

SWING ARM-SUSPENSION



Ref. No.	Part Number	Description	Qty	Remarks
30	90109-102A6-00	BOLT	1	
31	90201-120E6-00	WASHER, PLATE	1	
32	90201-100E9-00	WASHER, PLATE	1	
33	90185-10120-00	NUT, SELF-LOCKING	1	
34	90109-102A7-00	BOLT	1	
35	90201-100F7-00	WASHER, PLATE	1	
36	90185-10120-00	NUT, SELF-LOCKING	1	
37	38W-2219X-00-00	COVER	1	
38	95811-08012-00	BOLT, FLANGE	4	
39	4N0-27114-00-00	STOPPER, MAIN STAND	1	
40	1J3-24742-00-00	GROMMET	2	

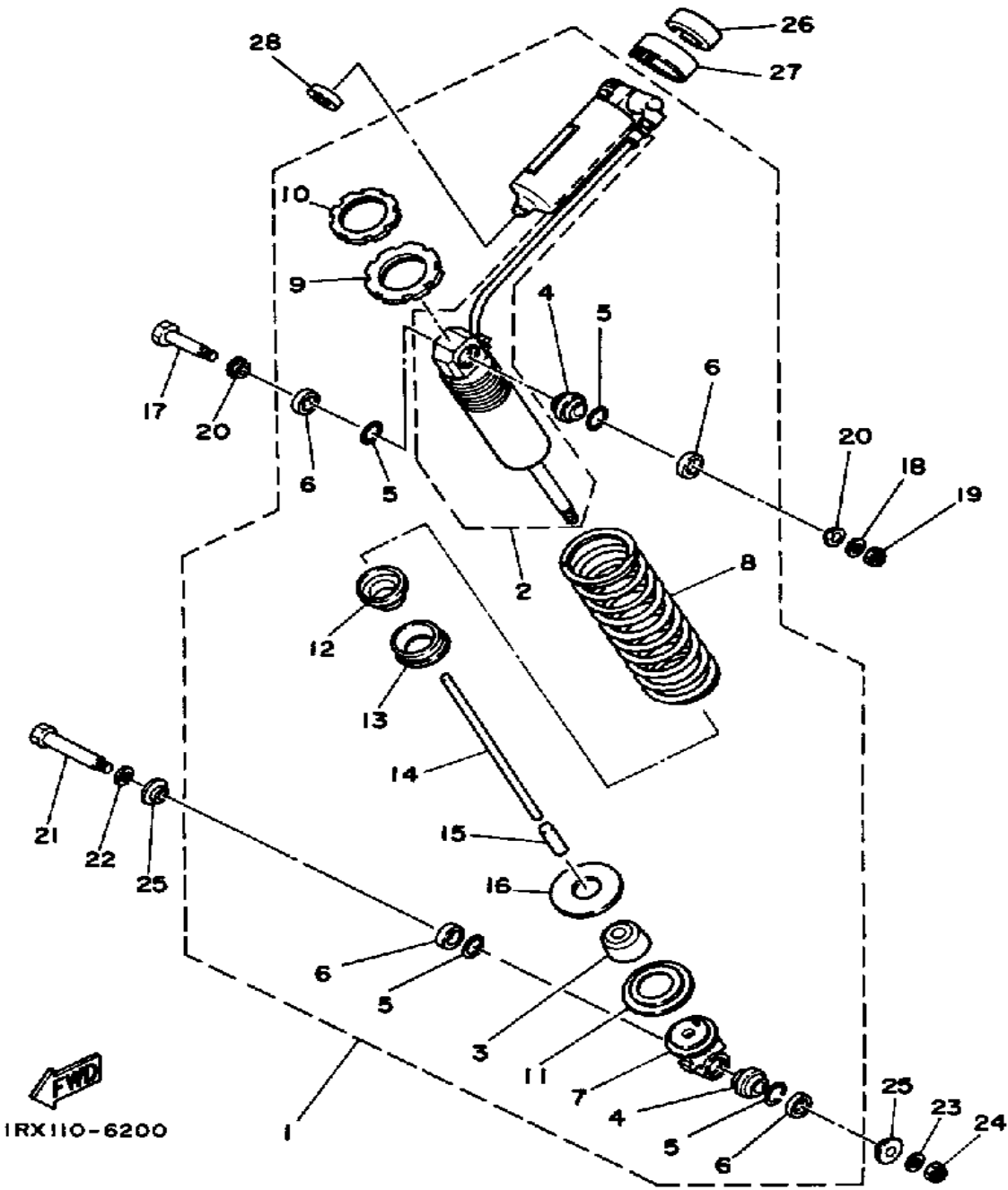
REAR SHOCKS



Ref. No.	Part Number	Description	Qty	Remarks
1	1RX-22210-00-6W	SHK/ABS ASSEMBLY REARASSEMBLY, REAR	1	COMP. YELLOW
	1RX-22210-00-6W	SHK/ABS ASSEMBLY REARASSEMBLY, REAR	1	NATIVE RED
2	1RX-22401-00-00	. DAMPER SUB ASSEMBLY	1	
3	(23X-22493-00-00)	BUMP, STOP	1	
4	93399-99934-00	. BEARING	2	
5	93440-30113-00	. CIRCLIP	4	
6	93104-18077-00	. OIL SEAL	1	
7	38W-22209-09-00	. BRACKET, UPPER ASSEMBLY	1	
8	(38W-22212-00-26)	SPRING, SHOCK	1	STD
	38W-22212-10-26	. SPRING, SHOCK (38W-22212-10)	1	ALT. PRT. SOFT
	38W-22212-20-6W	. SPRING, SHOCK (HARD) (38W-22212-20)	1	ALT. PRT. HARD
9	38W-22223-00-00	. SEAT, SPRING LOWER	1	
10	38W-22215-00-00	. RING, COVER	1	
11	22W-22214-01-00	. GUIDE, SPRING 1	1	
12	23X-22475-00-00	. SEAL, DUST	1	
13	38W-22472-01-00	. CAP, CASE	1	
14	38W-22489-00-00	. ROD, PUSH	1	
15	93605-20204-00	. PIN, DOWEL	1	
16	38W-22424-00-00	. SEAT 1	1	
17	90109-10704-00	BOLT	1	
18	90201-100F7-00	WASHER, PLATE	1	
19	90185-10120-00	NUT, SELF-LOCKING	1	
20	90387-127G8-00	COLLAR	2	
21	90109-102A6-00	BOLT	1	
22	90201-120E6-00	WASHER, PLATE	1	

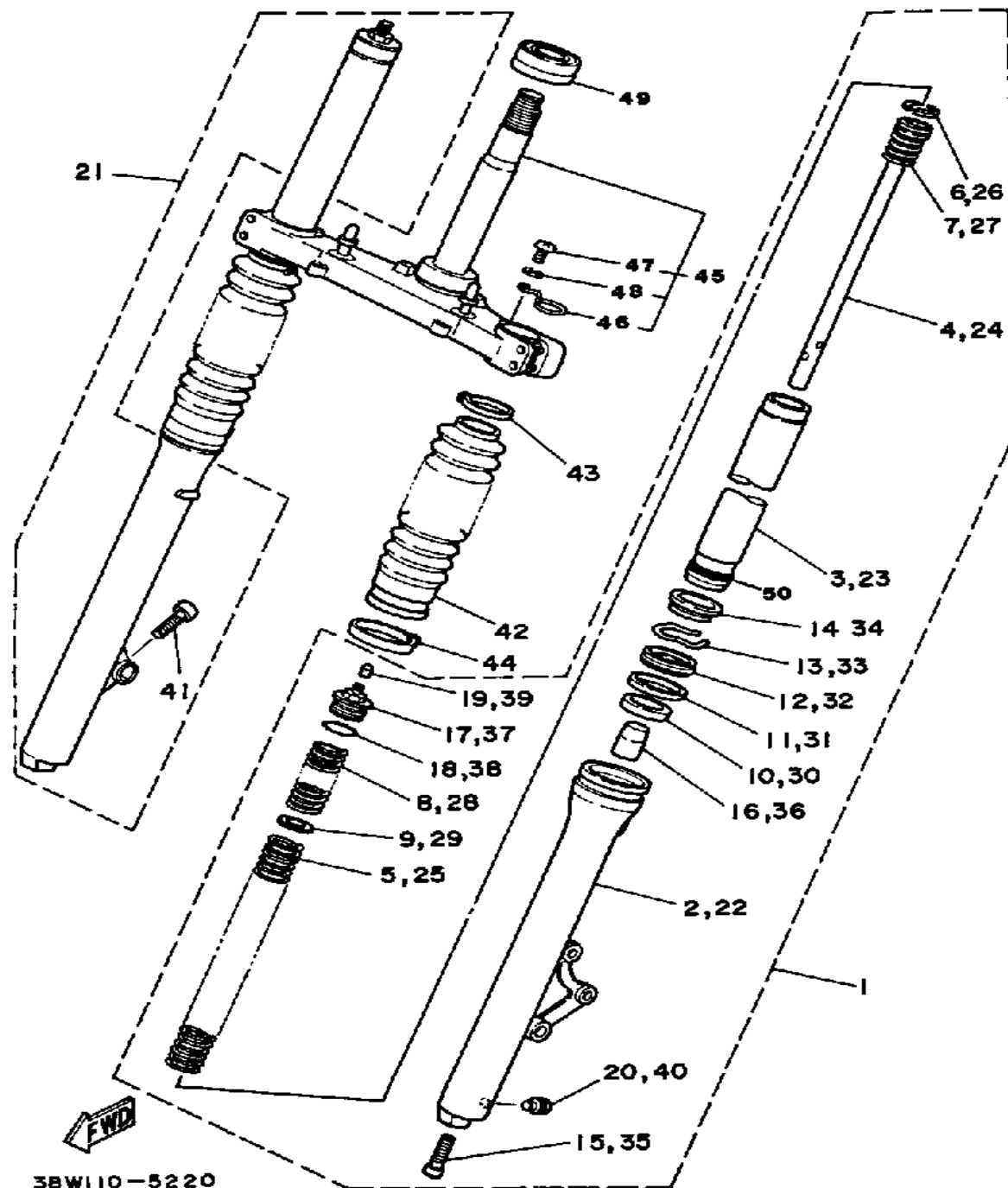
CONTINUED ON NEXT FRAME ➤

REAR SHOCKS



Ref. No.	Part Number	Description	Qty	Remarks
23	90201-100E9-00	WASHER, PLATE	1	
24	90185-10120-00	NUT, SELF-LOCKING	1	
25	90387-126H8-00	COLLAR	2	
26	24X-22261-00-00	DAMPER, SUB TANK	1	
27	24X-22262-00-00	HOLDER, SUB TANK	1	
28	90480-25381-00	GROMMET	1	

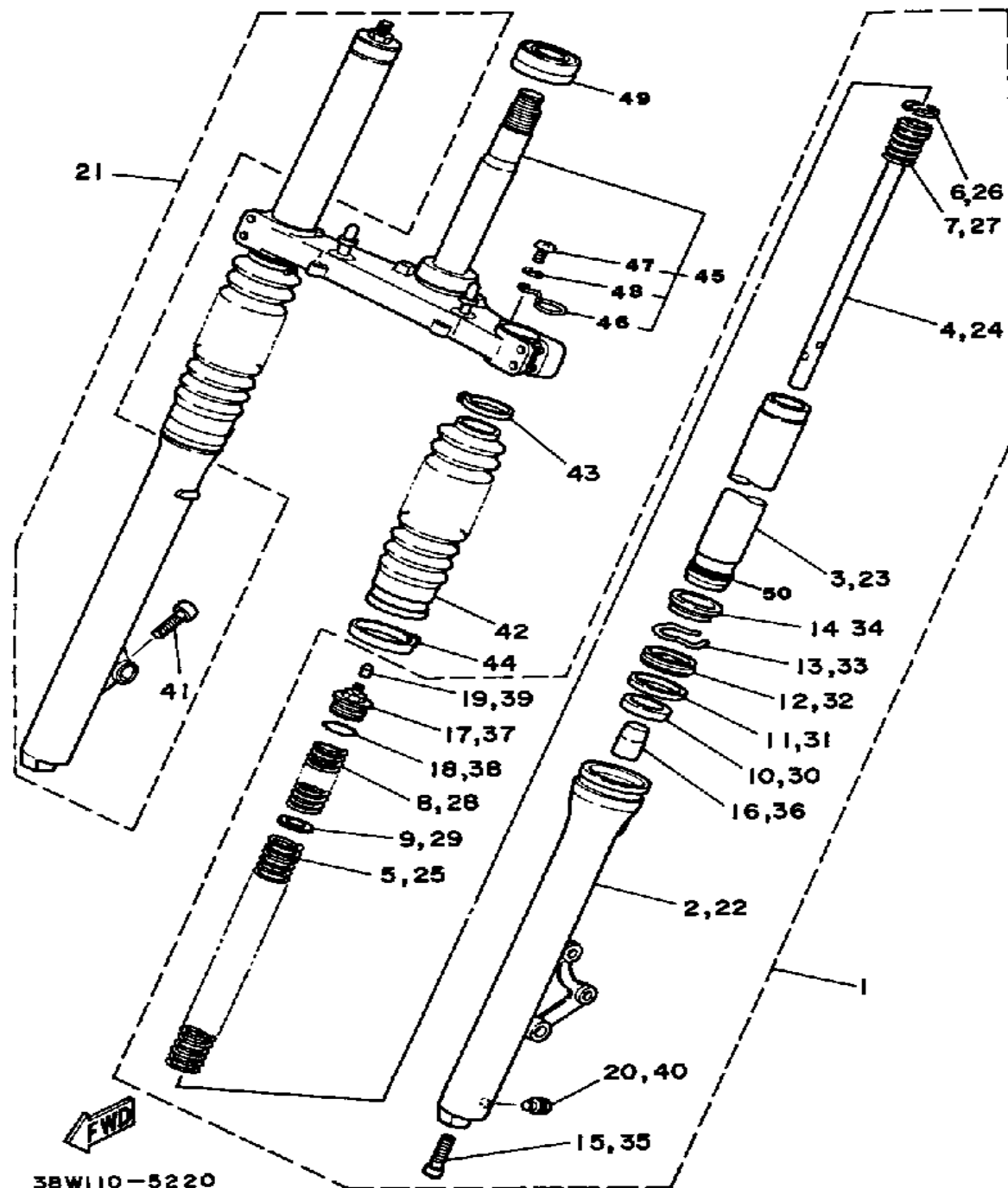
FRONT FORK



Ref. No.	Part Number	Description	Qty	Remarks
1	38W-23102-00-00	FRONT FORK ASSEMBLY L (L.H)	1	
2	38W-23130-00-00	. FORK UNIT ASSEMBLY	1	
3	38W-23110-00-00	. INNER TUBE 1	1	
4	38W-23171-00-00	. PISTON, FRONT FORK	1	
5	(38W-23141-10-00)	SPRING, FRONT FORK	1	ALT. PART SOFT
	38W-23141-00-00	. SPRING, FRONT FORK	1	STD
	38W-23141-20-00	. SPRING, FRONT FORK	1	ALT. PRT. HARD
6	51L-23157-00-00	. RING, PISTON FRTRFRK	1	
7	(51L-23151-00-00)	SPRING, REBOUND	1	
8	(38W-23351-00-00)	SPRING	1	STD
	(38W-23351-10-00)	SPRING	1	ALT. PRT. SOFT
	38W-23351-20-00	. SPRING	1	ALT. PRT. HARD
9	(51L-23142-00-00)	SEAT, SPRING UPPER	1	
10	51L-23125-00-00	. METAL, SLIDE 1	1	
11	10V-23147-00-00	. O-RING	1	
12	1UA-23145-00-00	. OIL SEAL	1	
13	34X-23156-00-00	. CLIP, OIL SEAL	1	
14	10V-23144-00-00	. SEAL, DUST	1	
15	3M7-23181-00-00	. BOLT, HEX SCKT HEAD	1	
16	34X-23166-00-00	. SPACER, OIL LOCK	1	
17	38W-23111-00-00	. BOLT, CAP	1	
18	27H-23147-00-00	. O-RING	1	
19	34L-23184-00-00	. CAP, AIR VALVE	1	
20	2A6-23119-00-00	. PLUG, DRAIN	1	
21	38W-23103-00-00	FRONT FORK ASSEMBLY R (R.H)	1	
22	38W-23140-00-00	. FORK UNIT ASSEMBLY 2	1	
23	38W-23110-00-00	. INNER TUBE 1	1	

CONTINUED ON NEXT FRAME ►

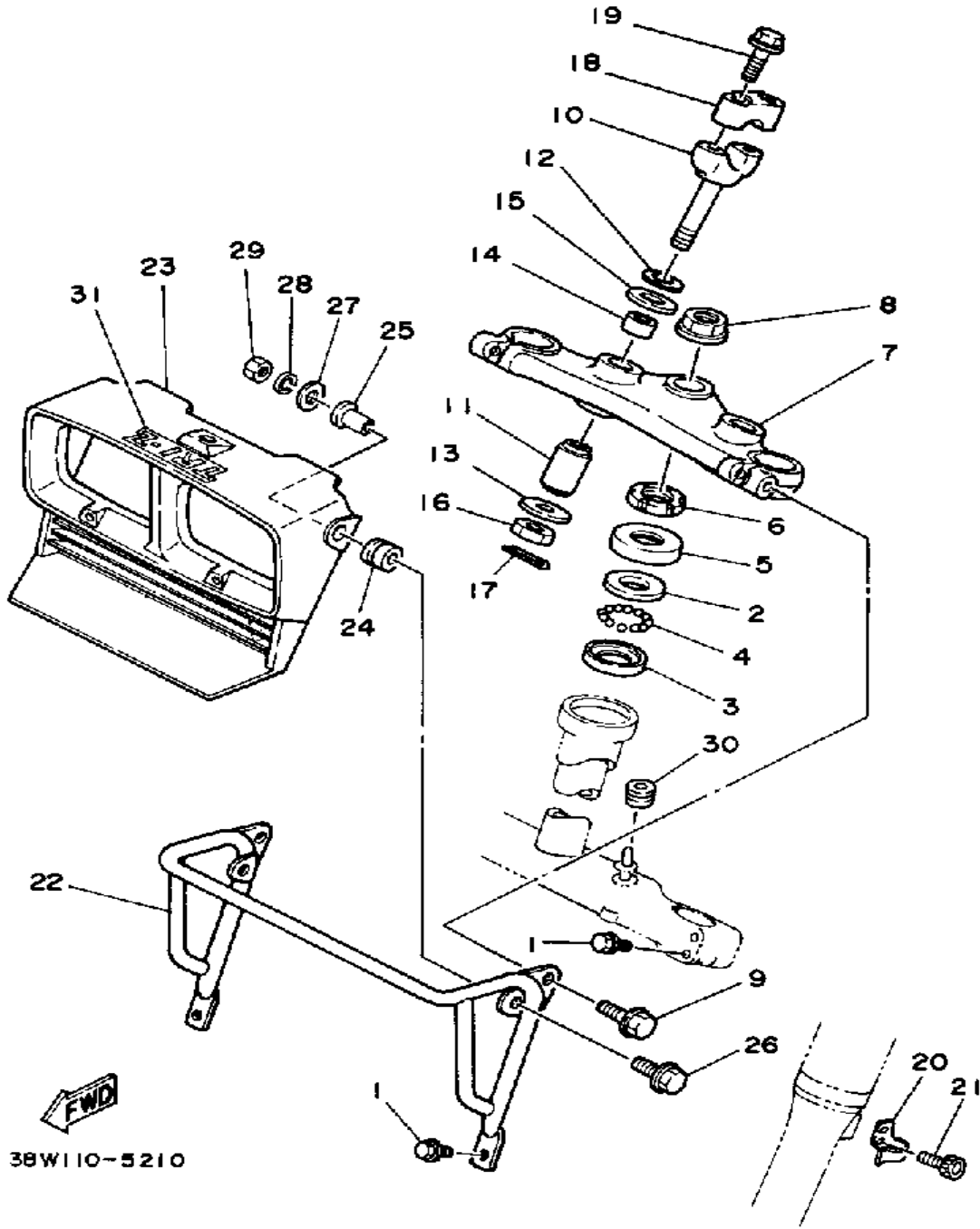
FRONT FORK



Ref. No.	Part Number	Description	Qty	Remarks
24	38W-23171-00-00	. PISTON, FRONT FORK	1	
25	(38W-23141-10-00)	SPRING, FRONT FORK	1	ALT. PRT. SOFT
	38W-23141-00-00	. SPRING, FRONT FORK	1	STD
	38W-23141-20-00	. SPRING, FRONT FORK	1	ALT. PRT. HARD
26	51L-23157-00-00	. RING, PISTON FRTRFRK	1	
27	(51L-23151-00-00)	SPRING, REBOUND	1	
28	(38W-23351-00-00)	SPRING	1	STD
	(38W-23351-10-00)	SPRING	1	ALT. PRT. SOFT
	38W-23351-20-00	. SPRING	1	ALT. PRT. HARD
29	(51L-23142-00-00)	SEAT, SPRING UPPER	1	
30	51L-23125-00-00	. METAL, SLIDE 1	1	
31	10V-23147-00-00	. O-RING	1	
32	1UA-23145-00-00	. OIL SEAL	1	
33	34X-23156-00-00	. CLIP, OIL SEAL	1	
34	10V-23144-00-00	. SEAL, DUST	1	
35	3M7-23181-00-00	. BOLT, HEX SCKT HEAD	1	
36	34X-23166-00-00	. SPACER, OIL LOCK	1	
37	38W-23111-00-00	. BOLT, CAP	1	
38	27H-23147-00-00	. O-RING	1	
39	34L-23184-00-00	. CAP, AIR VALVE	1	
40	2A6-23119-00-00	. PLUG, DRAIN	1	
41	38W-23181-00-00	. BOLT, HEXAGON SOCKET HEAD	1	
42	34X-23191-10-00	BOOT, FRONT FORK	2	U.R. COMP. YEL.
	38W-23191-10-00	BOOT, FRONT FORK	2	YAMAHA BLACK
43	34X-23192-00-00	BAND	2	
44	34X-2311E-00-00	BAND 2	2	
45	(38W-23340-00-00)	UNDER BRACKET	1	
46	10V-2331E-02-00	. GUIDE, CABLE	1	

CONTINUED ON NEXT FRAME ►

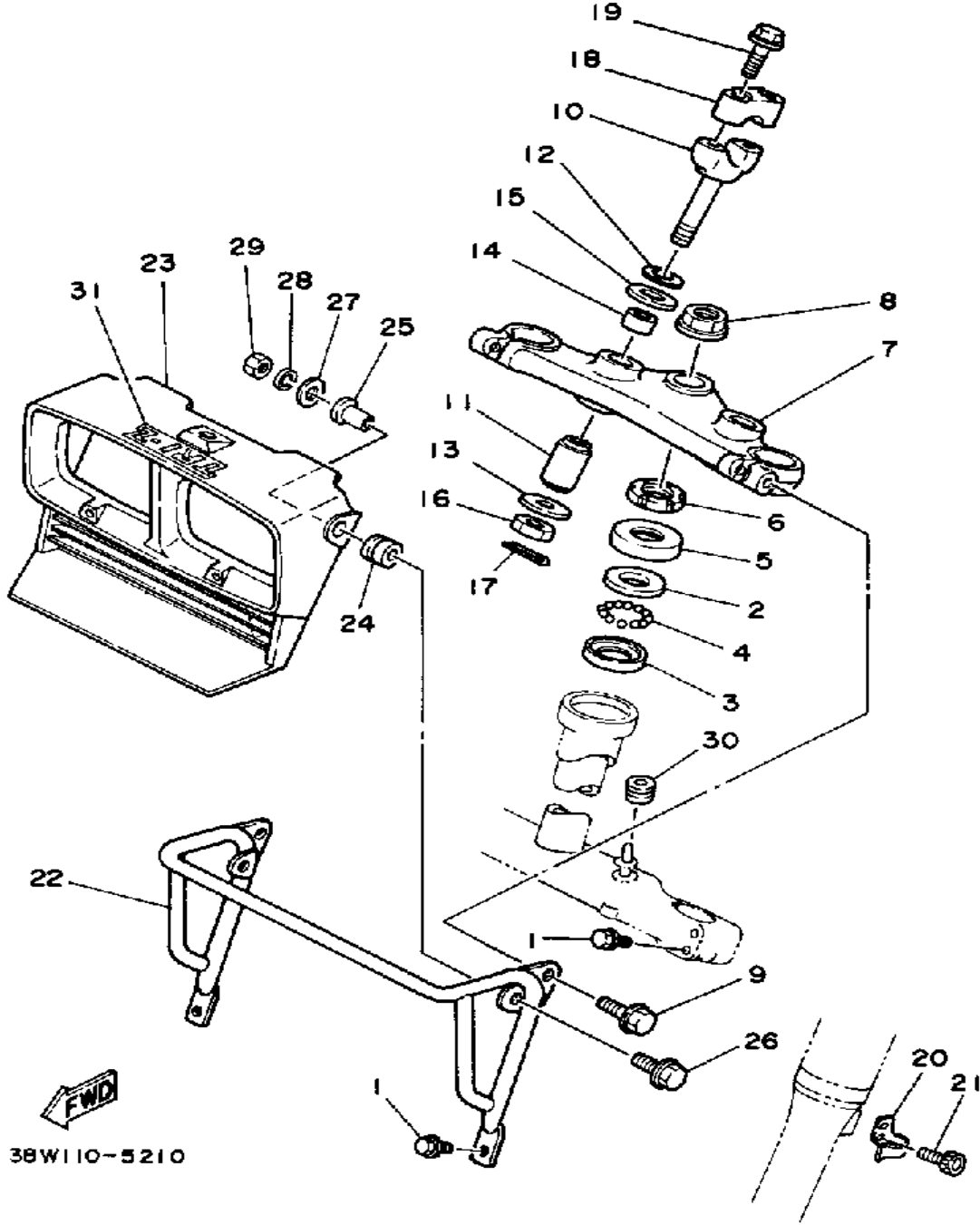
STEERING



Ref. No.	Part Number	Description	Qty	Remarks
1	95811-08045-00	BOLT, FLANGE (JN5)	4	
2	183-23411-00-00	RACE, BALL 1	1	
3	183-23412-00-00	RACE, BALL 2	1	
4	93501-04011-00	BALL	19	
5	136-23415-00-00	COVER, BALL RACE 1	1	
6	90179-25033-00	NUT	1	
7	(38W-23435-00-00)	CROWN, HANDLE	1	
8	90179-22330-00	NUT, SPEC'L SHAPE	1	
9	95811-10045-00	BOLT, FLANGE	2	
10	1E6-23442-00-00	HOLDER, HANDLE LWR	2	
11	307-22123-00-00	BUSH 1	2	
12	90201-123E8-00	WASHER, PLATE	2	
13	90201-100A1-00	WASHER, PLATE	2	
14	90387-121E8-00	COLLAR	2	
15	90202-14077-00	WASHER, PLATE	2	
16	90185-10037-00	NUT, SELF-LOCKING	2	
17	91490-20020-00	PIN, COTTER	2	
18	1E6-23441-00-00	HOLDER, HANDLE UPR	2	
19	95811-08035-00	BOLT, FLANGE (95821-08035)	4	
20	(38W-25876-00-00)	HOLDER, BRAKE HOS 2	1	
21	91316-06012-00	BOLT, SOCKET HEAD	2	
22	38W-23174-00-00	STAY, HEADLIGHT	1	LOW GLOSS BLK
23	1RX-23391-10-00	PANEL, FRONT	1	YAMAHA BLACK
	38W-23391-01-00	PANEL, FRONT	1	COMP. YELLOW
24	90480-18417-00	GROMMET (38W)	2	
25	90387-060G8-00	COLLAR	2	
26	95801-06030-00	BOLT, FLANGE	2	
27	92990-06200-00	WASHER	2	
28	92995-06100-00	WASHER, SPRING	2	

CONTINUED ON NEXT FRAME ►

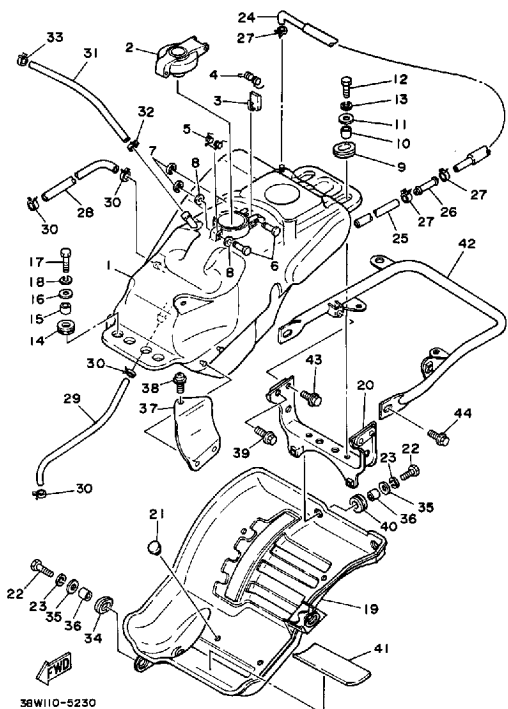
STEERING



Ref. No.	Part Number	Description	Qty	Remarks
29	95380-06600-00	NUT	2	
30	90480-12053-00	GROMMET	2	
31	38W-23395-00-00	EMBLEM	1	FOR COMP YELLOW
	38W-23395-30-00	EMBLEM	1	FOR YAMAHA BLK

38W110-5210

FUEL TANK

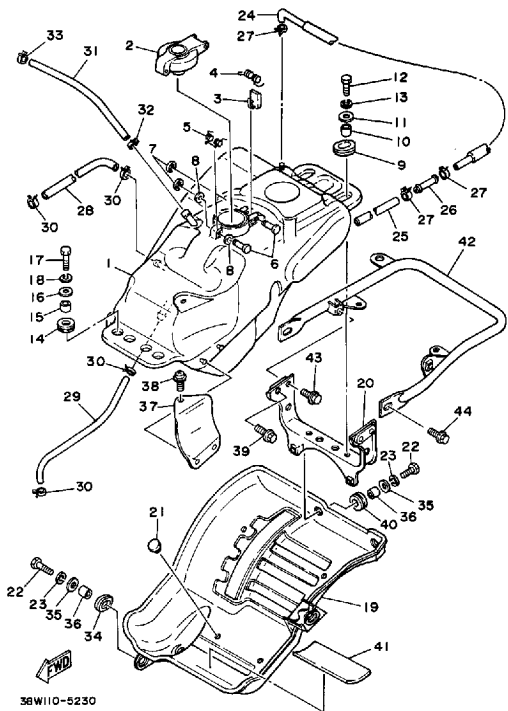


36W110-5230

Ref. No.	Part Number	Description	Qty	Remarks
1	38W-24111-00-00	FUEL TANK	1	
2	38W-24610-00-00	CAP ASSEMBLY	1	
3	83M-24628-00-00	HOOK	1	
4	90508-08003-00	SPRING, TORSION (813-24637-00)	1	
5	90508-08353-00	SPRING, TORSION	1	
6	90249-03017-00	PIN	2	
7	93430-02001-00	CIRCLIP	2	
8	90201-03313-00	WASHER, PLATE	2	
9	90480-01400-00	GROMMET	2	
10	90387-07598-00	COLLAR	2	
11	90201-065G8-00	WASHER, PLATE	2	
12	97021-06030-00	BOLT	2	
13	92995-06100-00	WASHER, SPRING	2	
14	90480-18290-00	GROMMET	2	
15	90387-07598-00	COLLAR	2	
16	90201-06407-00	WASHER, PLATE (90201-06747-00)	2	
17	97021-06030-00	BOLT	2	
18	92995-06100-00	WASHER, SPRING	2	
19	(38W-24141-00-00)	PROTECTOR, FUEL TNK	1	
20	38W-24192-00-00	BRACKET, FUEL TNK 2	1	
21	22W-24181-00-00	DAMPER, LOCATING 1	4	
22	97016-06025-00	BOLT	4	
23	92906-06100-00	WASHER, SPRING	4	
24	(38W-24318-00-00)	PIPE, OVERFLOW	1	
25	90445-09120-00	HOSE	1	
26	8H8-24376-00-00	PIPE, JOINT 1	1	
27	90467-09026-00	CLIP	3	

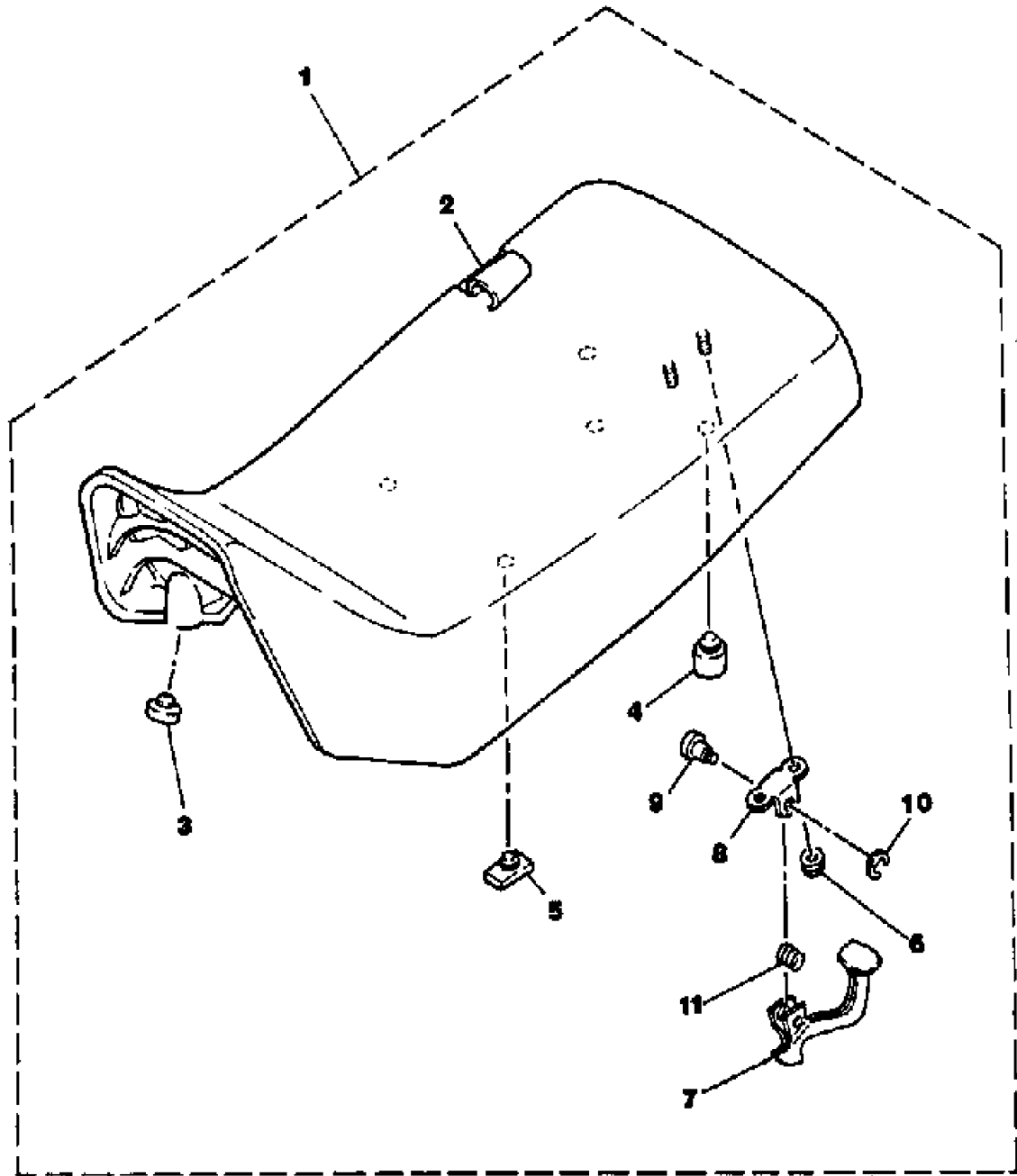
CONTINUED ON NEXT FRAME ►

FUEL TANK



Ref. No.	Part Number	Description	Qty	Remarks
28	38W-24311-00-00	PIPE, FUEL 1	1	
29	90445-11152-00	HOSE	1	
30	90467-10091-00	CLIP, SCISSOR	4	
31	38W-24313-00-00	PIPE 3	1	
32	90467-14057-00	CLIP	1	
33	90467-13064-00	CLIP	1	
34	90480-01420-00	GROMMET (38W)	2	
35	90201-06067-00	WASHER, PLATE	4	
36	90387-060M1-00	COLLAR (38W)	4	
37	(38W-2414H-00-00)	TRIM, COVER PANEL	1	
38	90159-06058-00	SCREW, WITH WASHER	1	
39	95821-08020-00	BOLT, FLANGE (95801-08020)	2	
40	90480-16113-00	GROMMET	2	
41	38W-2414G-00-00	SEAL	1	
42	38W-28421-10-00	BUMPER, REAR 1 (38W-28421-00)	1	
43	95821-08020-00	BOLT, FLANGE (95801-08020)	3	
44	95811-08012-00	BOLT, FLANGE	1	

SEAT

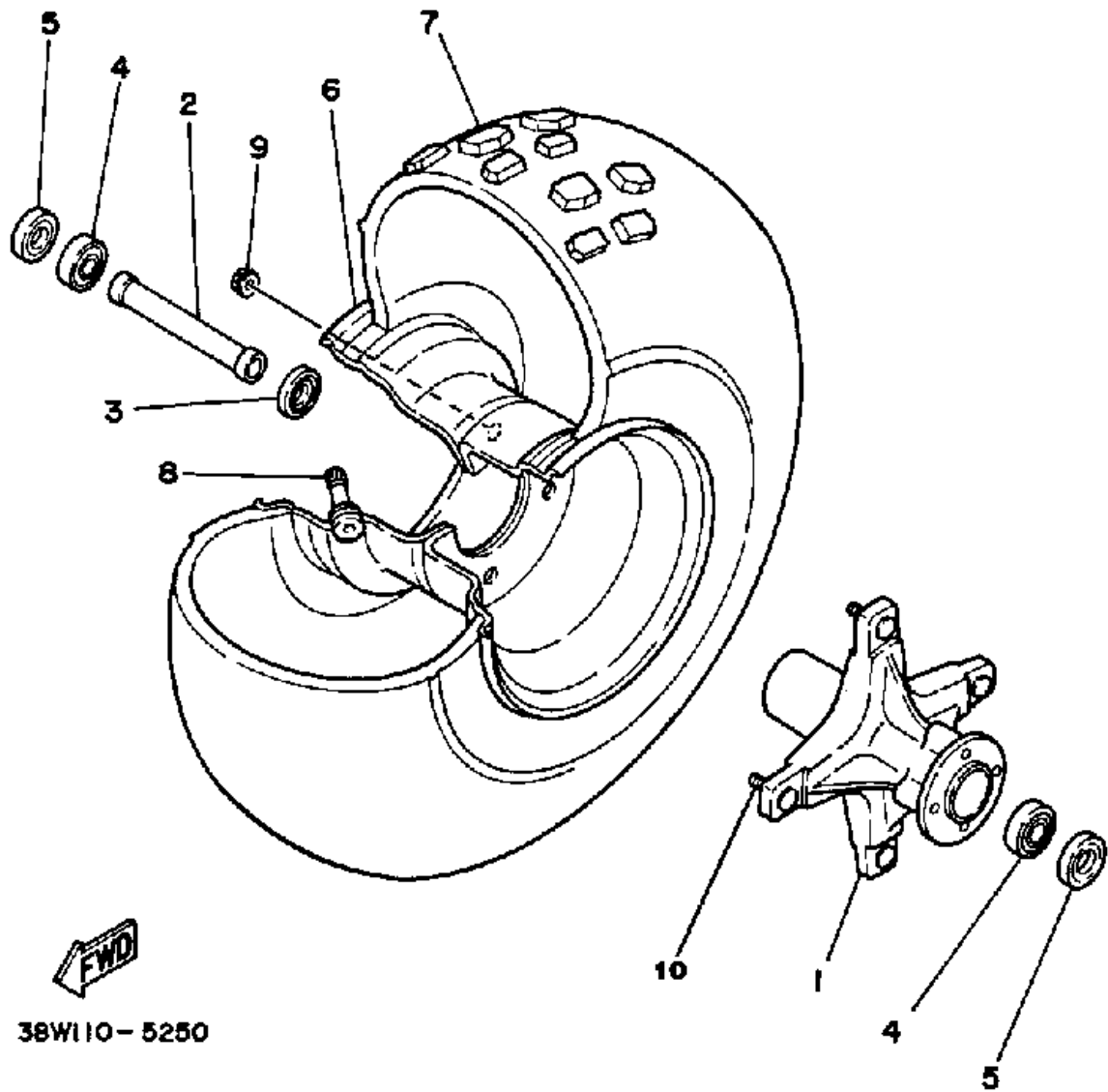


Ref. No.	Part Number	Description	Qty	Remarks
1	1RX-24710-00-00	SEMI-DBL SEAT ASSEMBLYASSY	91	RED
	38W-24710-01-00	SEMI-DBL SEAT ASSEMBLYASSY	1	U.R. BLACK
2	(38W-24771-10-00)	COVER, SM-DBL SEAT	1	RED
	38W-24771-00-00	. COVER, SM-DBL SEATSEMI-DOUBLE SEAT ..	1	BLACK
3	22W-24741-00-00	. PAD, SEAT	2	
4	371-27114-00-00	. STOPPER, MAIN STAND	2	
5	509-24724-00-00	. DAMPER, SEAT	3	
6	95701-06500-00	. NUT, FLANGE	2	
7	3GD-24776-00-00	. LEVER, SEAT	1	
8	4K0-24775-00-00	. BRACKET, SEAT LEVER	1	
9	4K0-24774-01-00	. PIN	1	
10	93430-04002-00	. CIRCLIP	1	
11	90508-20454-00	. SPRING, TORSION	1	



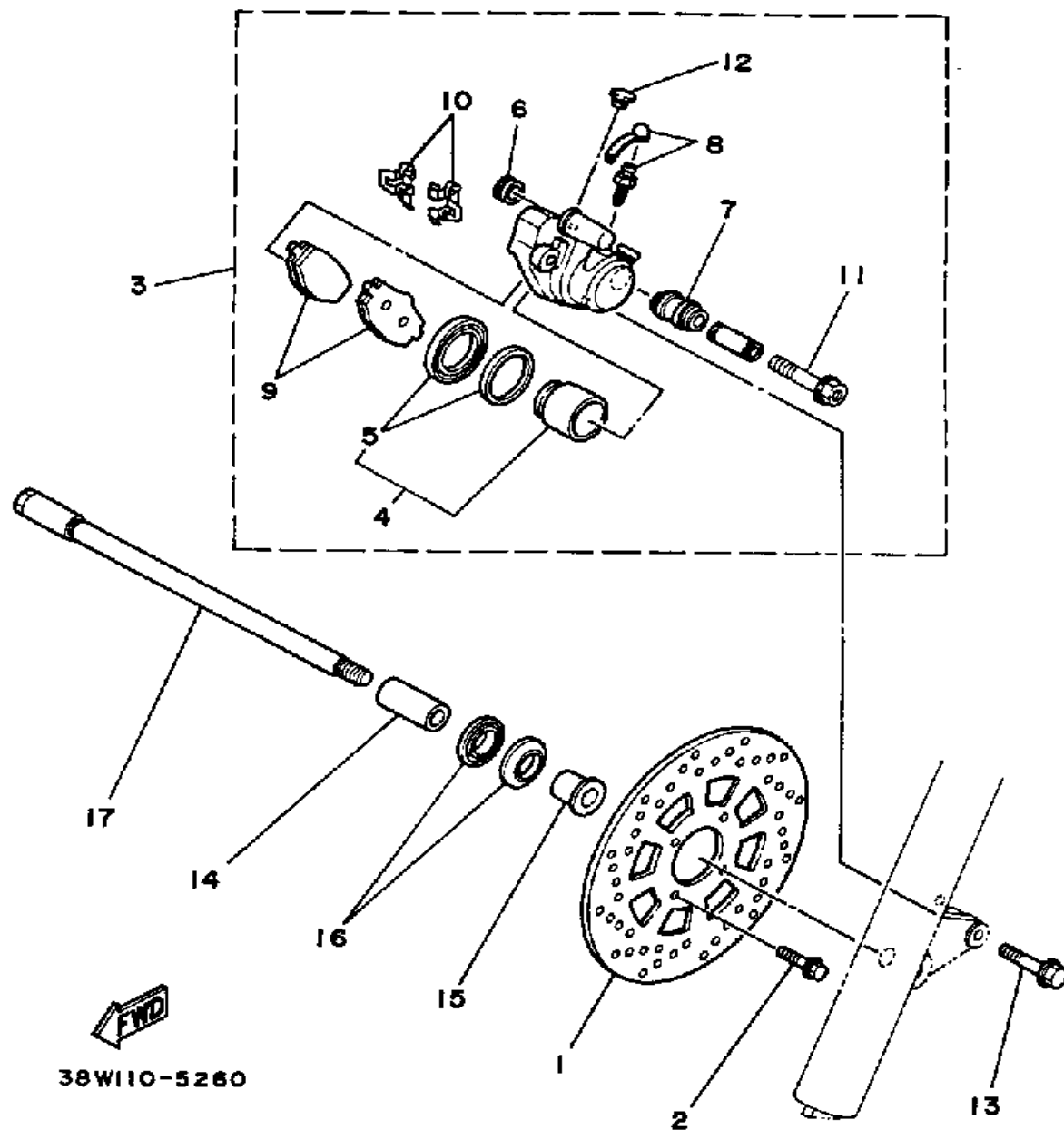
38W110 - 5241

FRONT WHEEL



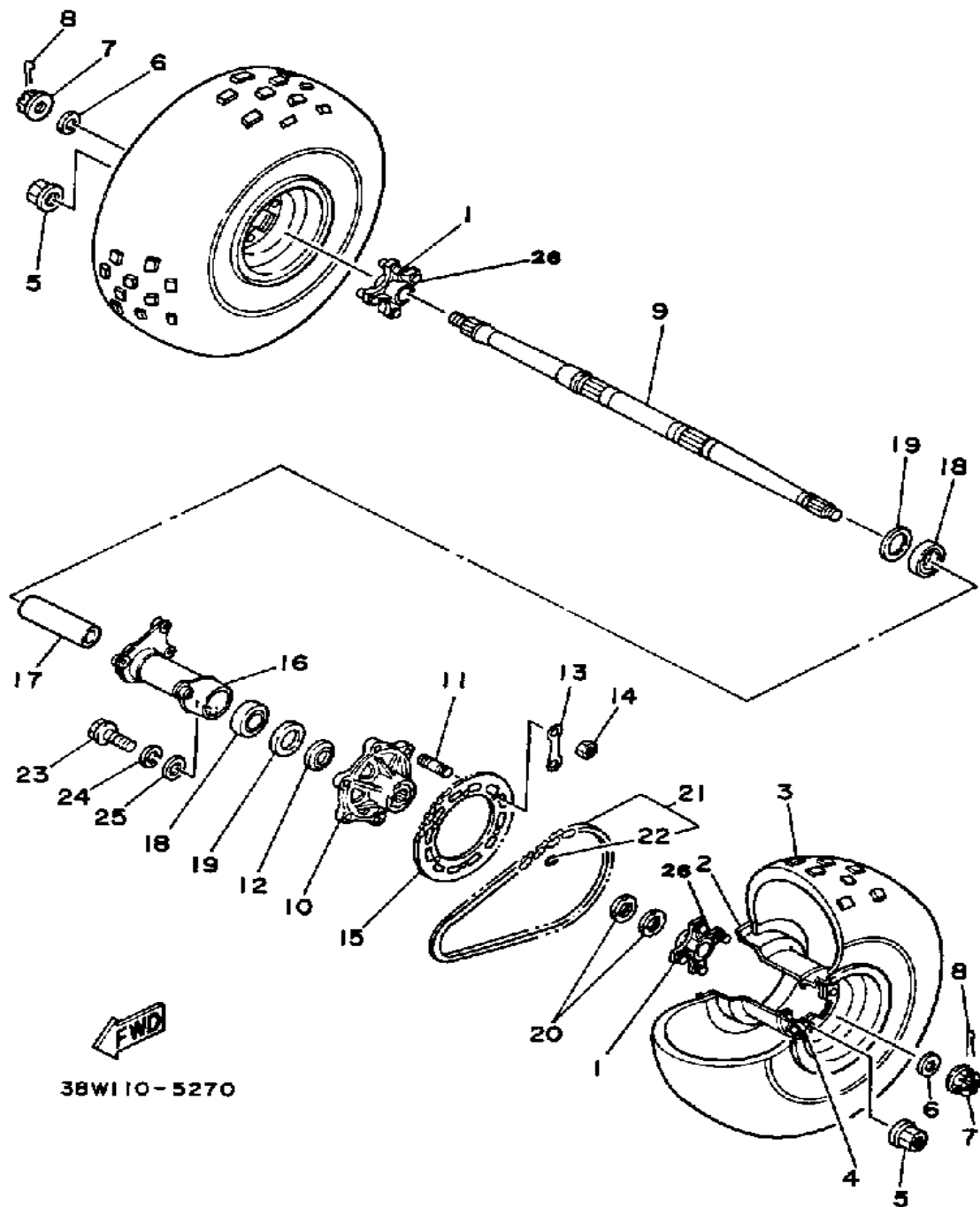
Ref. No.	Part Number	Description	Qty	Remarks
1	(38W-25111-00-8L)	HUB, FRONT	1	U.R. NEBULAR GLD
	38W-25111-00-35	HUB, FRONT	1	U.R. SILVER
2	90560-15262-00	SPACER	1	
3	146-25115-00-00	FLANGE, SPACER 1	1	
4	93306-30202-00	BEARING	2	
5	93102-22014-00	OIL SEAL	2	
6	(38W-25180-00-HM)	WHEEL, FRONT	1	UR ALUMITE SILVR
	38W-25180-10-7H	FRONT WHEEL COMP	1	U.R. ALUMITE GLD
7	94125-121N4-00	250X8-12 KT476 TL	1	DUNLOP
8	93900-00030-00	VALVE, RIM	1	DUNLOP
9	95701-08500-00	NUT, FLANGE	4	
10	90114-08006-00	BOLT, STUD (38W)	4	

FRONT BRAKE-CALIPER



Ref. No.	Part Number	Description	Qty	Remarks
1	38W-25831-00-00	DISC, BRAKE	1	
2	(90109-082A5-00)	BOLT	4	
3	3BN-2580T-01-00	CALIPER ASSEMBLY	1	
4	34X-W0057-00-00	. PISTON ASSEMBLY, CALIPER	1	
5	34X-W0047-00-00	. . CALIPER SEAL KIT	1	
6	5R2-25937-00-00	. BOOT 2	1	
7	34X-25937-00-00	. BOOT 2	1	
8	51L-W0048-00-00	. BLEED SCREW KIT	1	
9	3BN-W0045-01-00	. BRAKE PAD KIT	1	
10	34X-25919-00-00	. SUPPORT, PAD	1	
11	2GV-25926-00-00	. BOLT	1	
12	34X-25845-00-00	. CAP, INDICATOR	1	
13	90105-10316-00	BOLT, WASHER BASED	2	
14	90387-151L4-00	COLLAR	1	
15	90387-151L5-00	COLLAR	1	
16	38W-25118-00-00	COVER, HUB DUST	2	
17	38W-25181-00-00	AXLE, WHEEL	1	

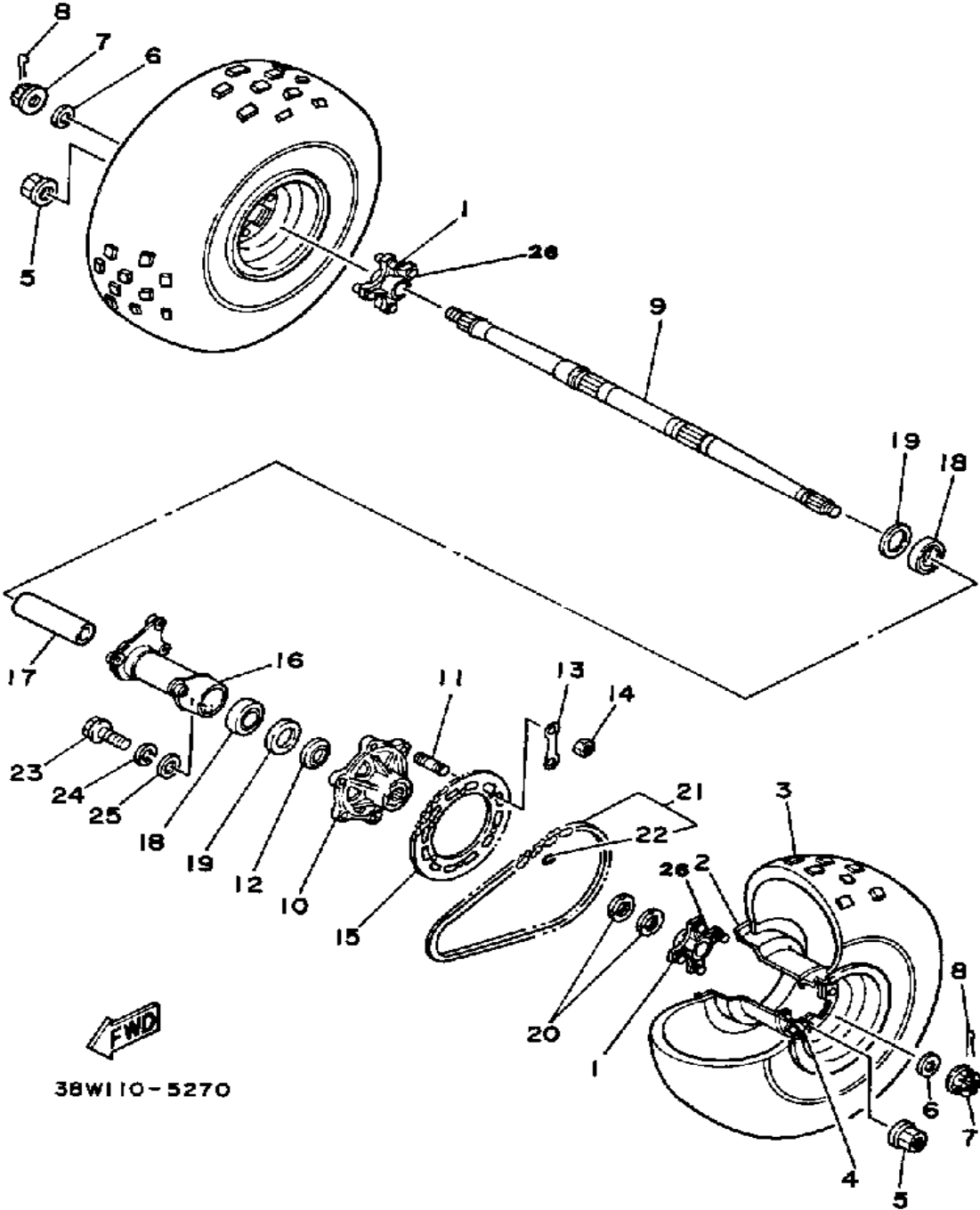
REAR WHEEL



Ref. No.	Part Number	Description	Qty	Remarks
1	2XJ-25383-00-00	COLLAR, WHEEL	2	U.R. NEBULAR GLD
	2XJ-25383-00-00	COLLAR, WHEEL	2	U.R. SILVER
2	38W-25390-00-7H	WHEEL, REAR	2	U.R. ALUMITE GLD
	38W-25390-00-HM	WHEEL, REAR	2	U.R. ALUMITE SILVER
3	94111-083H6-00	22X11-8 KT755 DUN.	2	DUNLOP
4	93900-00030-00	VALVE, RIM	2	DUNLOP
5	95701-10500-00	NUT, FLANGE (95702-10500)	8	
6	90201-140A6-00	WASHER, PLATE	2	
7	90171-14037-00	NUT, CASTLE	2	
8	91401-30030-00	PIN, COTTER	2	
9	38W-25381-02-00	AXLE, WHEEL	1	
10	2XJ-25386-00-00	COLLAR, SPROCKET AXLE	1	U.R. NEBULAR GLD
	2XJ-25386-00-00	COLLAR, SPROCKET AXLE	1	U.R. SILVER
11	90116-08456-00	BOLT, STUD (38W)	6	
12	38W-25367-00-00	COVER, HUB DUST	1	
13	583-25412-00-00	WASHER	3	
14	90170-08193-00	NUT, HEXAGON	6	
15	38W-25444-20-00	SPROCKET, DRIVN 44T	1	STD YAMAHA BLK
	583-25440-10-00	SPROCKET, DRIVN 40T	1	ALT. PART
	583-25442-10-00	SPROCKET, DRIVN 42T	1	ALT. PART
	583-25446-10-00	SPROCKET, DRIVN 46T	1	ALT. PART
16	38W-25311-00-35	HUB, REAR	1	SILVER
17	90560-35263-00	SPACER	1	
18	93306-00704-00	BEARING	2	
19	93102-43341-00	OIL SEAL	2	
20	90179-33482-00	NUT (38W)	2	
21	94580-40098-00	CHAIN 520DS-98L	1	
22	94680-50011-00	JOINT, CHAIN (34L) (D.I.D.50HDS)	1	

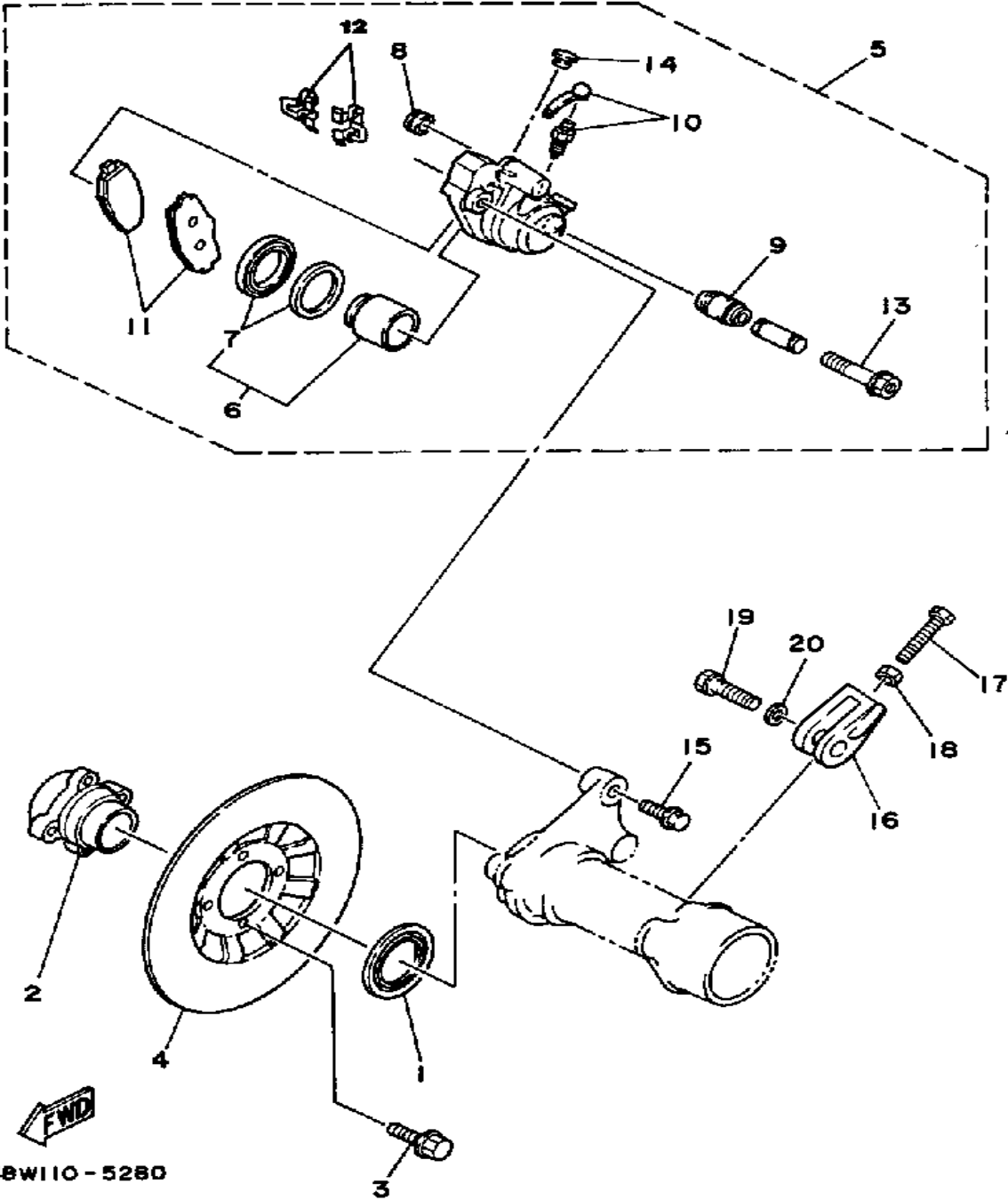
CONTINUED ON NEXT FRAME ►

REAR WHEEL



Ref. No.	Part Number	Description	Qty	Remarks
23	90105-12353-00	BOLT, WASHER BASED	2	
24	92901-12100-00	WASHER, SPRING	2	
25	92990-12200-00	WASHER, PLAIN	2	
26	90114-10007-00	BOLT, SERRATION	8	

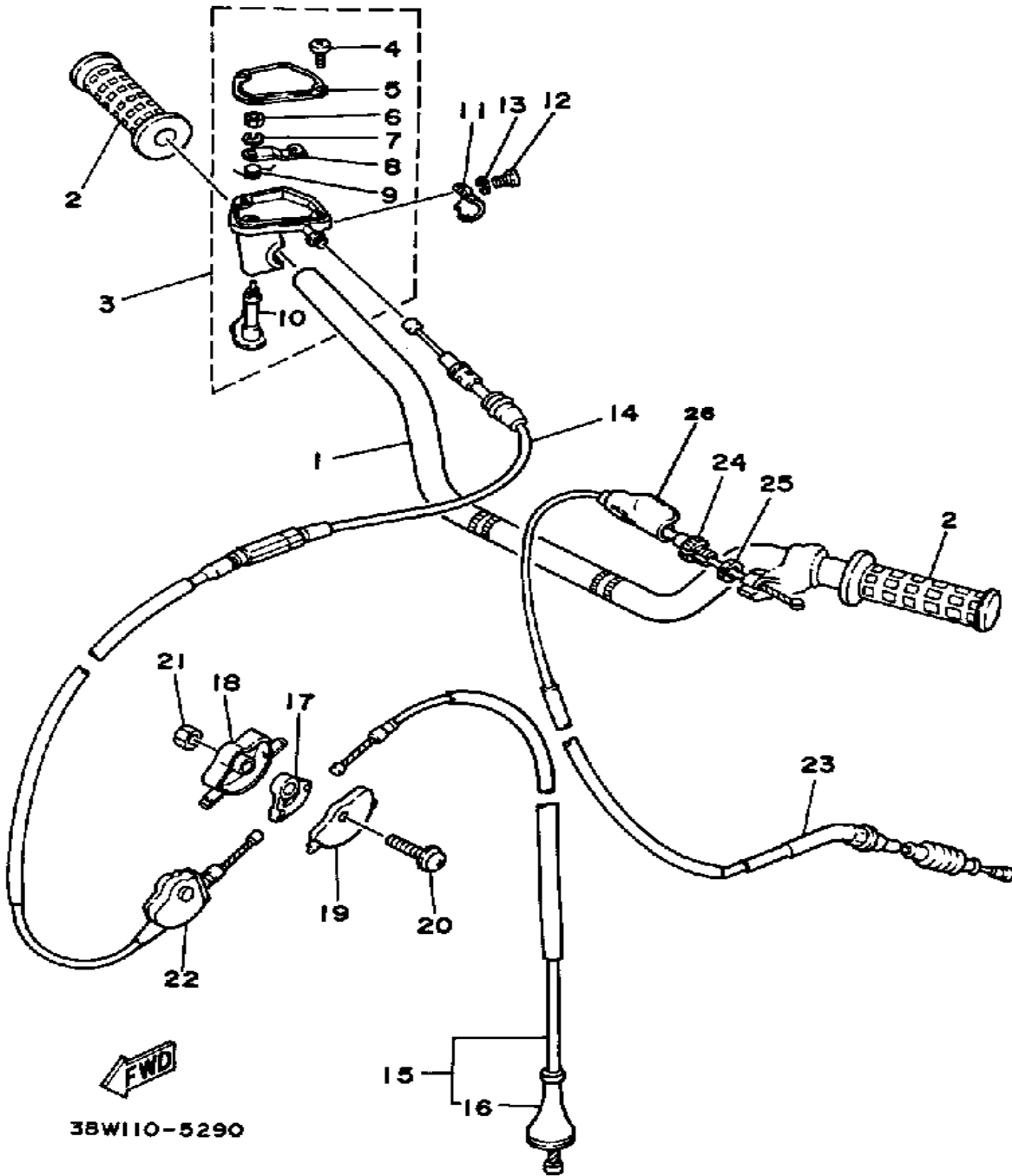
REAR BRAKE CALIPER



Ref. No.	Part Number	Description	Qty	Remarks
1	38W-25367-00-00	COVER, HUB DUST	1	
2	38W-25712-00-00	BRACKET, DISC	1	
3	90105-08233-00	BOLT, WASHER BASED	4	
4	5G0-25831-00-00	DISC, BRAKE	1	
5	3BN-2580T-01-00	CALIPER ASSEMBLY	1	
6	34X-W0057-00-00	. PISTON ASSEMBLY, CALIPER	1	
7	34X-W0047-00-00	. . CALIPER SEAL KIT	1	
8	5R2-25937-00-00	. BOOT 2	1	
9	34X-25937-00-00	. BOOT 2	1	
10	51L-W0048-00-00	. BLEED SCREW KIT	1	
11	3BN-W0045-01-00	. BRAKE PAD KIT	1	
12	34X-25919-00-00	. SUPPORT, PAD	1	
13	2GV-25926-00-00	. BOLT	1	
14	34X-25845-00-00	. CAP, INDICATOR	1	
15	90105-10356-00	BOLT, WASHER/BASED	2	
16	1UY-25388-00-00	PULLER, CHAIN 1	2	
17	90101-08615-00	BOLT	2	
18	95333-08600-00	NUT, HEXAGON	2	
19	90119-10109-00	BOLT, W/WASHER (38W)	2	
20	90201-104G0-00	WASHER, PLATE	2	

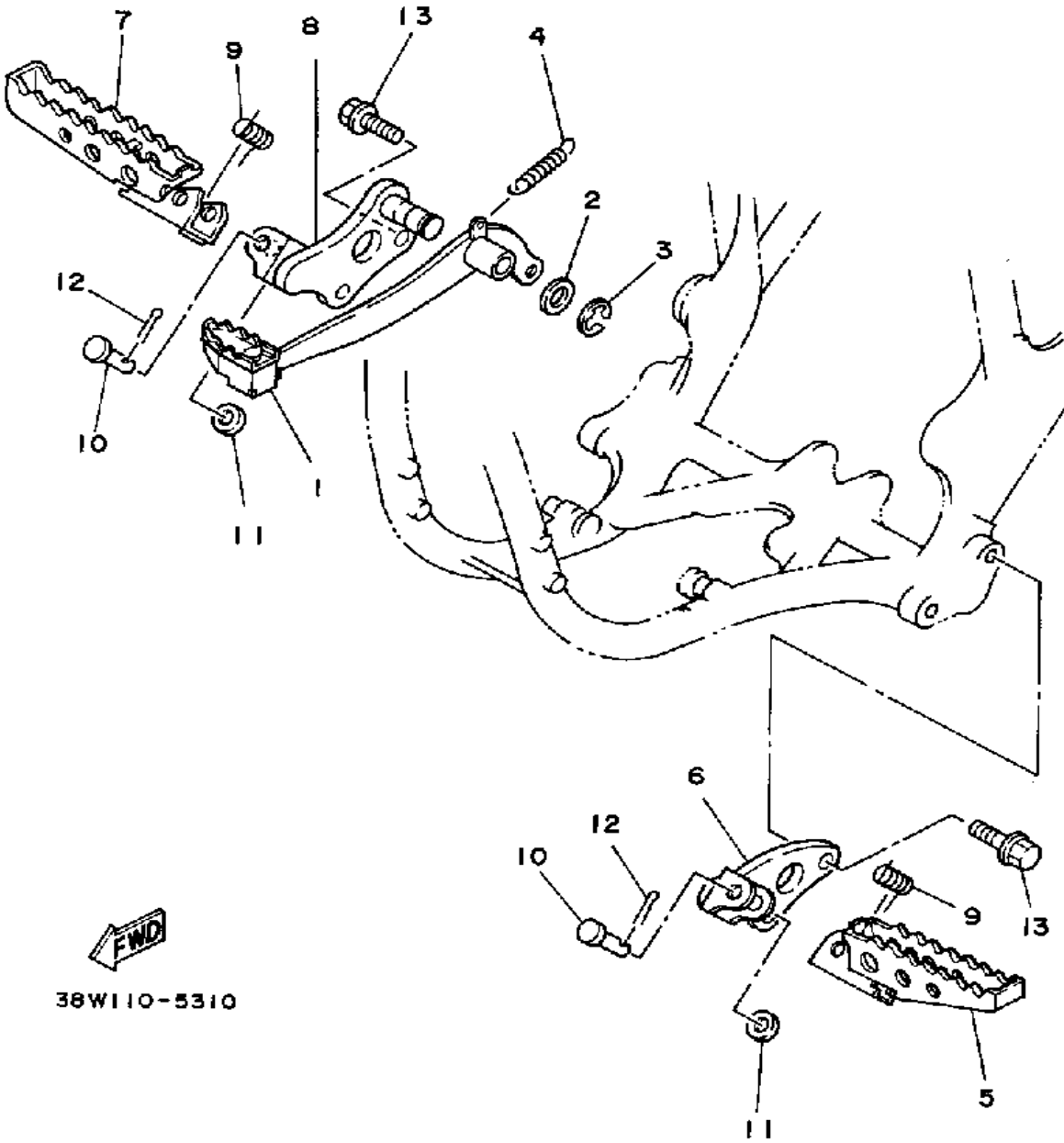
38W110-5280

HANDLEBAR-CABLE



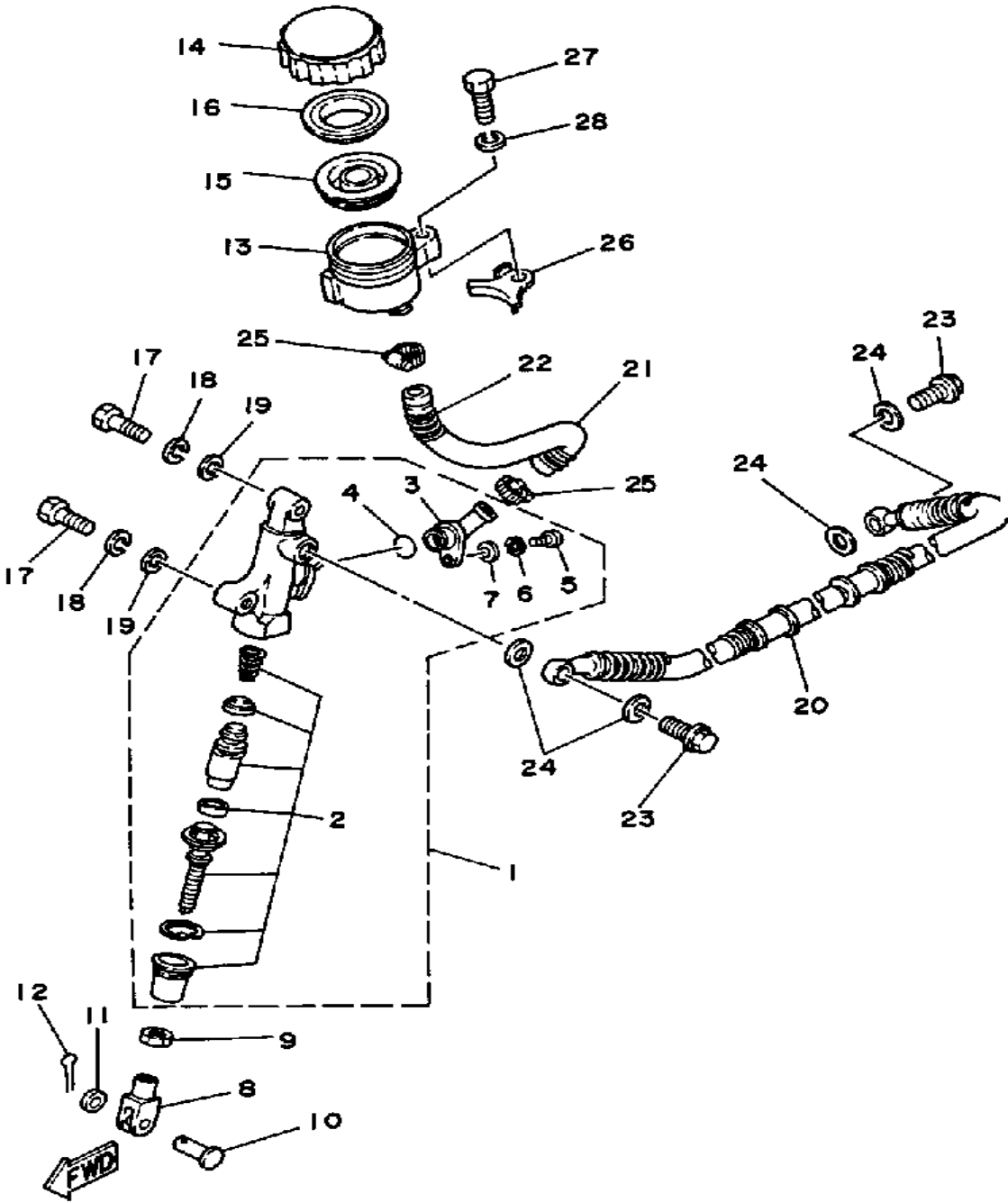
Ref. No.	Part Number	Description	Qty	Remarks
1	38W-26111-00-00	HANDLEBAR	1	
2	3GB-26241-00-00	GRIP (LEFT)	2	
3	29U-26250-00-00	THROTTLE, LEVER ASSEMBLY (38W-26250-00)	1	
4	98506-05010-00	. SCREW, PAN HEAD	2	
5	21V-2628F-00-00	. CAP, GEAR	1	
6	95380-05600-00	. NUT	1	
7	92990-05100-00	. WASHER, SPRING	1	
8	21V-2625H-00-00	. ARM, THROTTLE	1	
9	90508-10597-00	. SPRING, TORSION	1	
10	29U-2625G-00-00	. LEVER, THROTTLE (38W-2625G-00)	1	
11	38V-82913-00-00	HOLDER, LEVER LOWER 1 ...	1	
12	98506-05018-00	SCREW, PAN HEAD	2	
13	92906-05100-00	WASHER, SPRING	2	
14	38W-26311-00-00	CABLE, THROTTLE 1	1	
15	38W-26312-00-00	CABLE, THROTTLE 2	1	
16	500-26329-01-00	. CAP, RUBBER	1	
17	38W-26263-00-00	PIECE, CONNECTING	1	
18	38W-26261-00-00	CONNECTOR, CABLE	1	
19	38W-26262-00-00	CAP, CBLE CONNECTOR	1	
20	90159-05029-00	SCREW, WITH WASHER	1	
21	95601-05100-00	NUT, U	1	
22	38W-26266-00-00	BOOT, CYLINDER	1	
23	38W-26335-00-00	CABLE, CLUTCH	1	
24	90123-08090-00	BOLT	1	
25	90179-08401-00	NUT	1	
26	382-26372-01-00	COVER, HANDLE LEVER	1	

STAND



Ref. No.	Part Number	Description	Qty	Remarks
1	38W-27200-00-00	PEDAL, BRAKE	1	
2	90201-15797-00	WASHER, PLATE	1	
3	93430-12008-00	CIRCLIP	1	
4	90506-20193-00	SPRING, TENSION	1	
5	38W-27411-00-00	FOOTREST 1	1	
6	38W-27412-00-00	BRACKET, FOOTREST 1	1	
7	38W-27421-00-00	FOOTREST 2	1	
8	38W-27422-00-00	BRACKET, FOOTREST 2	1	
9	90508-26672-00	SPRING, TORSION	2	
10	90240-10101-00	PIN, CLEVIS	2	
11	90201-10119-00	WASHER, PLATE	2	
12	91401-25020-00	PIN, COTTER	2	
13	95811-10025-00	BOLT, FLANGE	4	

REAR MASTER CYLINDER

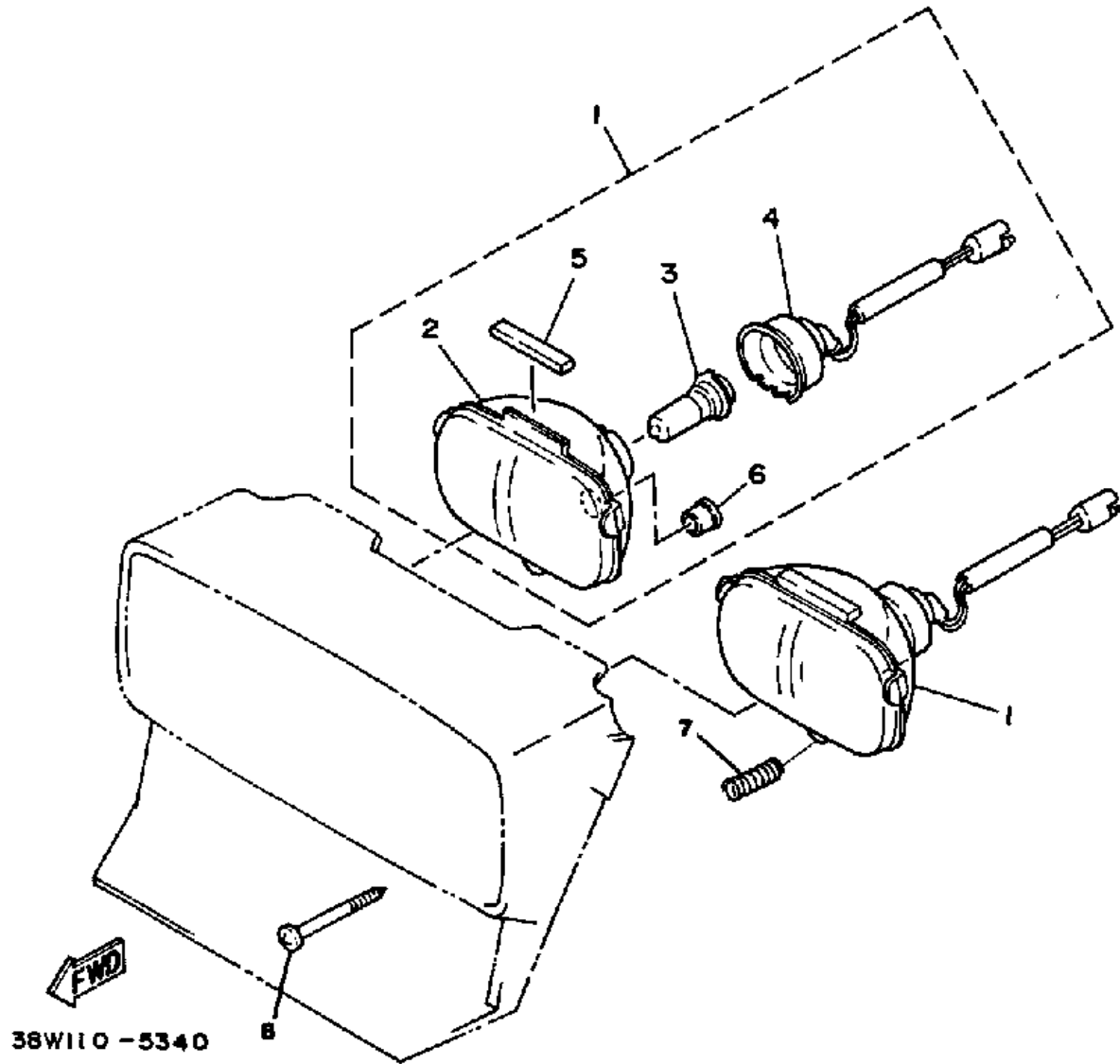


38W110 - 5320

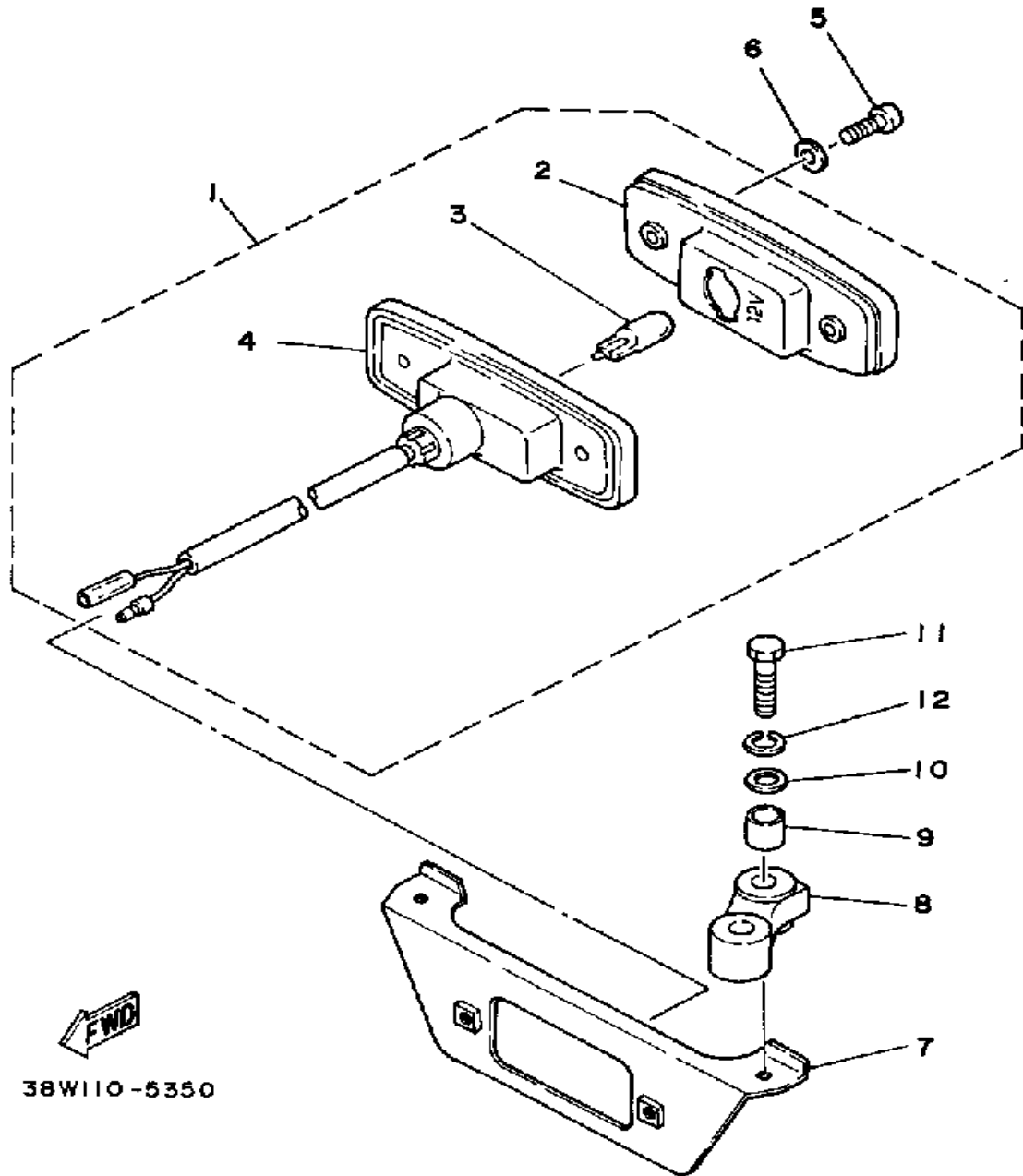
Ref. No.	Part Number	Description	Qty	Remarks
1	29L-25850-51-00	MASTER CYLINDER ASSEMBLY	1	
2	29L-W0042-50-00	. CYLINDER KIT, MASTER	1	
3	29L-2582A-50-00	. JOINT	1	
4	93210-15620-00	. O-RING	1	
5	98511-04012-00	. SCREW, PAN HEAD	1	
6	92990-04100-00	. WASHER, SPRING	1	
7	92901-04600-00	. WASHER, PLATE	1	
8	1J3-27222-01-00	JOINT	1	
9	95303-08700-00	NUT	1	
10	90240-08013-00	PIN, CLEVIS	1	
11	90201-08083-00	WASHER, PLATE	1	
12	91490-16020-00	PIN, COTTER	1	
13	38W-25894-00-00	TANK, RESERVOIR	1	
14	2KF-25852-50-00	CAP, RESERVOIR	1	
15	360-25854-00-00	DIAPHRAGM, RESERVOIR	1	
16	2GU-25855-00-00	BUSH, DIAPHRAGM	1	
17	97313-08030-00	BOLT, HEXAGON	2	
18	92990-08100-00	WASHER	2	
19	92901-08600-00	WASHER	2	
20	38W-25872-51-00	HOSE, BRAKE 1	1	
21	38W-25895-00-00	HOSE, RESERVOIR	1	
22	(90501-103A6-00)	SPRING, COMPRESSION	1	
23	90401-10034-00	BOLT, UNION	2	
24	90201-10118-00	WASHER, PLATE	4	
25	90460-12268-00	CLAMP, HOSE	2	
26	38W-2582E-00-00	HOLDER, RESERVETANK	1	
27	97011-06025-00	BOLT (97001-06025)	1	
28	92995-06100-00	WASHER, SPRING	1	

HEADLIGHT

Ref. No.	Part Number	Description	Qty	Remarks
1	38W-84310-00-00	HEADLIGHT UNIT ASSEMBLY .	2	
2	38W-84320-00-00	. LENS ASSEMBLY	2	
3	35R-84314-00-00	. BULB, H.L.12V30/30W	2	
4	38W-84312-00-00	. SOCKET	2	
5	(38W-84328-00-00)	SPACER	2	
6	3K7-84154-10-00	. GROMMET	2	
7	38W-84335-00-00	SPRING	2	
8	97706-40530-00	SCREW, TAPPING	2	



TAILLIGHT

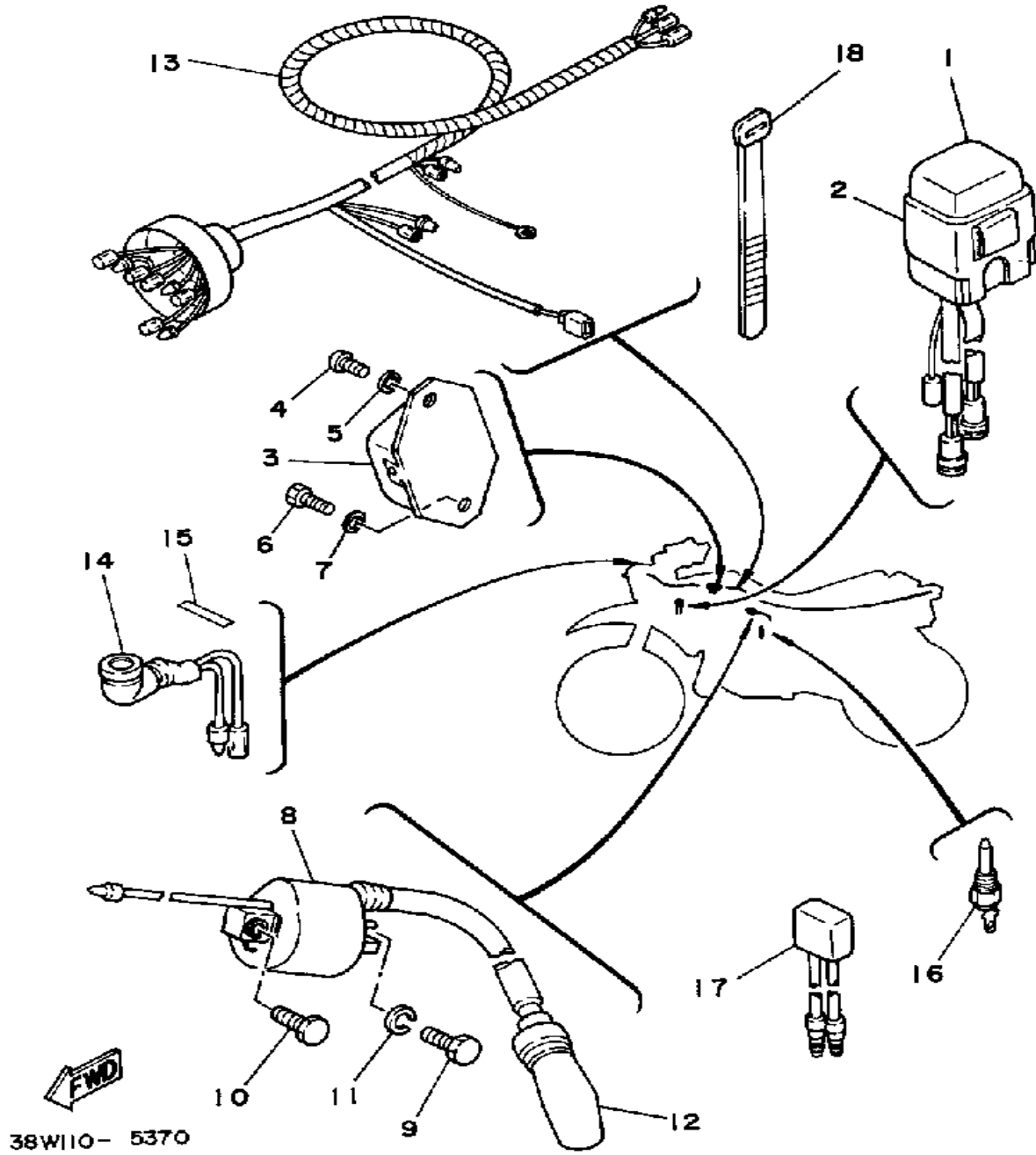


Ref. No.	Part Number	Description	Qty	Remarks
1	38W-84710-00-00	TAILLIGHT UNIT ASSEMBLY ..	1	
2	38W-84721-00-00	. LENS, TAILLIGHT	1	
3	3F9-84744-00-XX	. BULB, METER 12V3.8W	1	
4	38W-84710-00-00	. TAILLIGHT UNIT ASSEMBLY .	1	
5	(98502-04020-00)	SCREW, PAN HEAD	2	
6	92901-04600-00	WASHER, PLATE	2	
7	38W-84702-01-00	BRACKET, TAILLIGHT	1	
8	38W-84736-00-00	DAMPER, TAIL 1	2	
9	90387-06553-00	COLLAR	4	
10	90201-06067-00	WASHER, PLATE	4	
11	97016-06025-00	BOLT	4	
12	92906-06100-00	WASHER, SPRING	4	

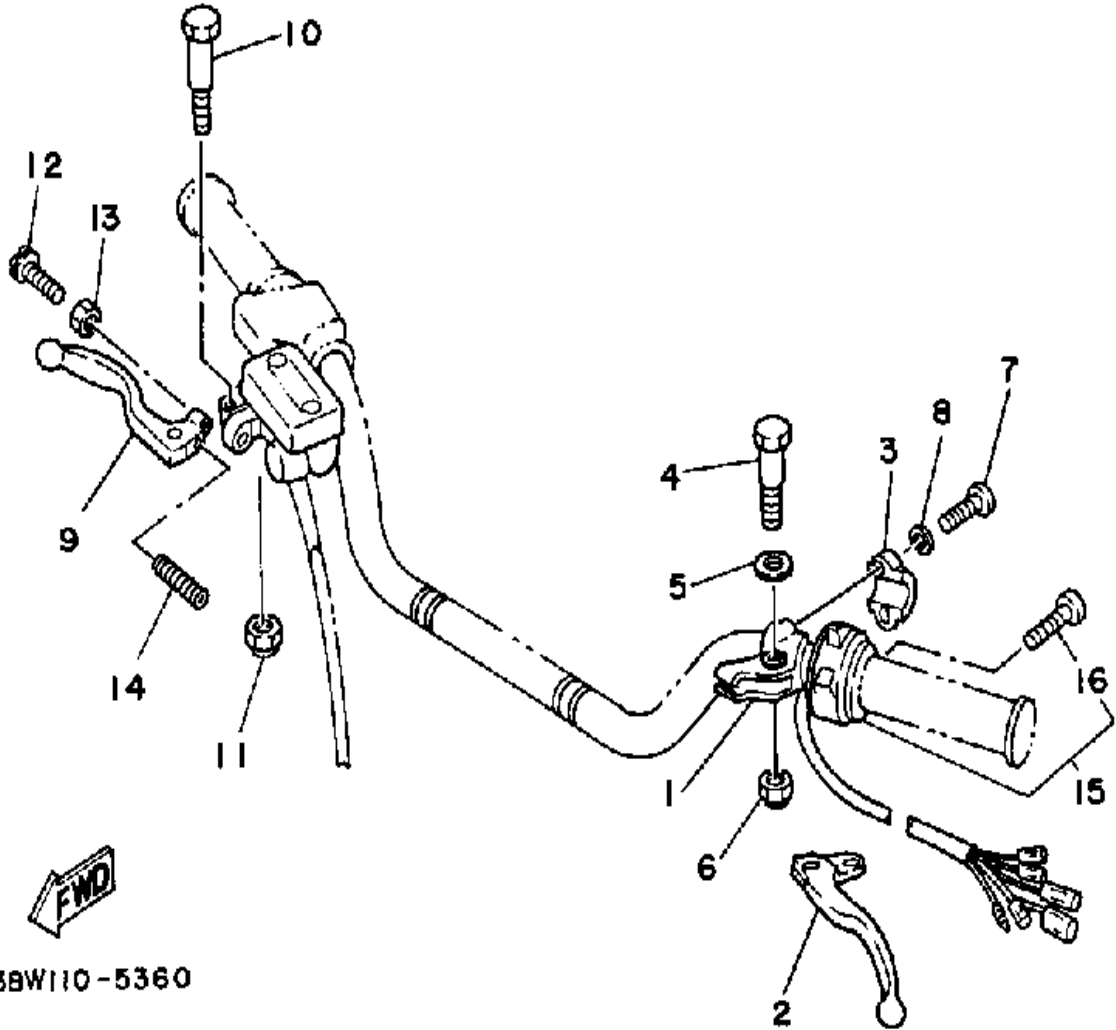
FWD
38W110-5350

ELECTRICAL 1

Ref. No.	Part Number	Description	Qty	Remarks
1	38W-85540-20-00	CDI UNIT ASSEMBLY	1	
2	2A7-85546-00-00	BAND	1	
3	82F-81910-A0-00	VOLTAGE REGULATOR ASSEMBLY	1	
4	90153-06034-00	SCREW, HEXAGON	1	
5	90201-061A5-00	WASHER, PLATE	1	
6	97013-06012-00	BOLT	1	
7	90201-061A5-00	WASHER, PLATE	1	
8	38W-82310-40-00	IGNITION COIL ASSEMBLY	1	
9	90109-06723-00	BOLT	1	
10	97023-06020-00	BOLT (3XF)	1	
11	92995-06100-00	WASHER, SPRING	1	
12	81E-82370-20-00	PLUG CAP ASSEMBLY	1	W/NOISE SUPPRESSOR
13	38W-82590-00-00	WIRE HARNESS ASSEMBLY	1	
14	123-83516-21-00	. BULB (12V-3.4W)	1	
	52G-83530-00-00	PILOT LIGHT ASSEMBLY	1	
15	38W-83585-00-00	LABEL	1	
16	38W-82560-00-00	OIL LVL SWITCH ASSEMBLY	1	
17	38W-85774-00-00	CHECKER, pilot lamp	1	
18	437-83936-01-00	BAND, SWITCH CORD	4	



HANDLE SWITCH-LEVER



38W110-5360

Ref. No.	Part Number	Description	Qty	Remarks
1	38V-82911-00-00	HOLDER, LEVER 1	1	
2	23X-83912-00-00	LEVER 1	1	
3	38V-82913-00-00	HOLDER, LEVER LOWER 1	1	
4	90109-06797-00	BOLT	1	
5	90201-08083-00	WASHER, PLATE	1	
6	95601-06100-00	NUT, U	1	
7	98506-05018-00	SCREW, PAN HEAD	2	
8	92906-05100-00	WASHER, SPRING	2	
9	38W-83922-00-00	LEVER 2	1	
10	90109-06465-00	BOLT	1	
11	95601-06100-00	NUT, U	1	
12	90149-06153-00	SCREW, SPEC'L SHAPE	1	
13	90170-06010-00	NUT	1	
14	90501-10312-00	SPRING, COMPRESSION	1	
15	38W-83975-09-00	SWITCH HANDLE 2	1	
16	98506-05030-00	SCREW, PAN HEAD	2	

TRI-MOTO

DATE 11/23/84

YTZ250N

1985 SERVICE DATA

MODEL - IBM I.D. NUMBER	YTZ250N	38W
Initial Engine Number / Frame Number	38W-000101 / JY338W00()FC000101	
Fuel Type / Total Fuel Tank Capacity / Reserve Cap.	Premium / 10 Lit (2.6 gal) / 1.8 Lit (0.5 gal)	

ENGINE TYPE	2-Stroke, Reed Valve, Single
Bore / Stroke / Number Cylinders / Displacement	68.0mm / 68.0mm / 1 / 246cc
Compression Ratio / Compression Pressure Min~Max	7.7:1 / NA
Piston Skirt Clearance New / Max	0.060~0.065mm / 0.1mm
Ring End Gap Top / 2nd / 3rd	0.35~0.50mm / 0.35~0.50mm / ϕ
Valve Clearance (Cold) Intake / Exhaust	ϕ
Oiling System	Premix (24:1 Using *Yamalube R)
Capacity: Dry	ϕ
Oil & Filter Change / Oil Change Only	ϕ / ϕ
Oil Filter Part Number	ϕ
Lubricant: Temp Above 5°C (40°F)	*Yamalube R
Temp Below 15°C (60°F)	*Yamalube R
Cooling System / Capacity / Cap Opening Pressure	Liquid / 1.0 Lit / 0.95~1.25kg/cm ² (13.5~17.8 psi)
Coolant Type / Mixing Ratio	Ethylene Glycol-Water / 1:1

AUTOLUBE - Min Stroke / Color Code	ϕ
Minimum Output @ 200 Cycles	ϕ
Maximum Output @ 200 Cycles	ϕ

CARBURETOR - Manufacturer / Type / I.D. Number	Mikuni / VM32SS / 38W-00
Main Jet / Pilot Jet / Pilot Screw (Turns Out)	470 / 45 / 1.0
Needle Jet / Jet Needle-Clip Position	P2 / 6H3-3
Slide Cutaway	2.0
Float Level / Fuel Level	31.3 ± 1.0mm / 38 ± 1.0mm
Idle rpm	1500 ± 50rpm
Max CO _e / Max HC _e / Set CO	ϕ / ϕ / ϕ

SUSPENSION -	
Front: Oil Type / Level / Qty	10 Wt. Fork Oil* / 151mm / 334cc
Gas or Air Pressure Min~Max / Standard	0~0.6kg/cm ² (0~8.5psi) / 0kg/cm ² (0psi)
Spring Length Standard	605.6mm
Rear: Gas or Air Pressure Min~Max / Standard	8~15kg/cm ² (114~213psi) / 12kg/cm ² (171psi)
Minimum Brake Lining Thickness Front / Rear	0.8mm / 0.8mm
Tire Size / Nominal Pressure: Front	25 x 8-12 / 0.23kg/cm ² (3.3psi)
Rear	22 x 11-8 / 0.17kg/cm ² (2.4psi)

TRANSMISSION - Oil Type / Qty Change / Qty Dry	*Yamalube 4 or SAE 10W30 SE or SF / 1.0 Lit / 1.1 Lit
Secondary Drive Type / Teeth / Chain	Chain / 44-13 / 520V-96L
Middle Gear Case Capacity	ϕ
Final Gear Case Capacity	ϕ
Gear Case Lubricant	ϕ

SERVICE COPY	SER MGR	MECH	MECH	MECH	BINDER
OFFICE COPY	GEN MGR	SALES	PARTS	BINDER	PAGE 1 OF 2

CHARGING SYSTEM	ϕ
Battery: Model / Specific Gravity / Charge Rate	ϕ
Maximum Output	ϕ
Field Coil Color Code / Ω	ϕ
Stator Coil Color Code / Ω	ϕ
Charge Coil Color Code / Ω	ϕ

IGNITION SYSTEM	Capacitor Discharge
Ignition Timing	1.66 ± 0.1mm BTDC
Spark Plug Type	NGK D8ES
Spark Plug Gap / Torque / Cap Ω	0.6~0.8mm / 2.5m·kg (18 ft·lbs) / 5K Ω
Ignition Coil Test Gap / Primary Ω / Secondary Ω	6mm / 0.79 Ω ± 15% / 5.9K Ω ± 15%
Pulser Coil or Pickup Coil Color Code / Ω	Wht-Red~Blk / 10.7 Ω ± 10% @ 68°F
Source Coil Color Code / Ω	Brn~Blk / 315 Ω ± 10%

LIGHTING SYSTEM	Flywheel Magneto
Headlight / Taillight / Signal Rating	12V 30-30W / 3.8W / ϕ
Lighting Coil Color Code / Ω	Yel-Red~Blk / 0.58 Ω ± 10%

TORQUE VALUES	
Front Axle Nut	M14: 5.8m·kg (42 ft·lbs)
Front Axle Holder Nut	M8: 2.0m·kg (14 ft·lbs)
Rear Axle Wheel Nut	M14: 10.0m·kg (72 ft·lbs)
Rear Axle Ring Nut	M33: 13.3m·kg (98 ft·lbs)
Clutch Nut	M20: 7.5m·kg (54 ft·lbs)
Drain Plug	M12: 2.0m·kg (14 ft·lbs)
Flywheel Nut	M12: 8.0m·kg (58 ft·lbs)
Cylinder Head Cover	ϕ
Cylinder Head:	M8: 2.5m·kg (18 ft·lbs)
Engine Mounting Bolts: Front Stay	M8: 3.0m·kg (22 ft·lbs)
Front, Upper	M8: 3.0m·kg (22 ft·lbs)
Front, Lower	M8: 3.0m·kg (22 ft·lbs)
Upper Engine Bracket	M8: 5.5m·kg (40 ft·lbs)
Pivot	M16: 8.5m·kg (61 ft·lbs)

ϕ = Does Not Apply to This Model
NA = Information Not Available

* = Available from YPDI
⊗ = For Diagnostic Use Only

SERVICE LITERATURE

PUBLICATION	PART NUMBER	REMARKS
Owner's Service Manual	LIT-11626-04-40	Supp. to YT/YTM Basic Assembly Manual
Assembly Manual	LIT-11666-04-40	

CHARGING SYSTEM	
Battery: Model / Specific Gravity / Charge Rate	φ
Maximum Output	φ
Field Coil Color Code / Ω	φ
Stator Coil Color Code / Ω	φ
Charge Coil Color Code / Ω	φ

IGNITION SYSTEM	
Ignition Timing	Capacitor Discharge 1.66 ± 0.1mm BTDC
Spark Plug Type	NGK D8ES
Spark Plug Gap / Torque / Cap Ω	0.6~0.8mm / 2.5m·kg (18 ft·lbs) / 5KΩ
Ignition Coil Test Gap / Primary Ω / Secondary Ω	6mm / 0.79Ω ± 15% / 5.9KΩ ± 15%
Pulser Coil or Pickup Coil Color Code / Ω	Wht-Red~Blk / 10.7Ω ± 10% @ 68°F
Source Coil Color Code / Ω	Brn~Blk / 315Ω ± 10%

LIGHTING SYSTEM	
Headlight / Taillight / Signal Rating	Flywheel Magneto 12V 30-30W / 3.8W / φ
Lighting Coil Color Code / Ω	Yel-Red~Blk / 0.58Ω ± 10%

TORQUE VALUES	
Front Axle Nut	M14: 5.8m·kg (42 ft·lbs)
Front Axle Holder Nut	M8: 2.0m·kg (14 ft·lbs)
Rear Axle Wheel Nut	M14: 10.0m·kg (72 ft·lbs)
Rear Axle Ring Nut	M33: 13.3m·kg (98 ft·lbs)
Clutch Nut	M20: 7.5m·kg (54 ft·lbs)
Drain Plug	M12: 2.0m·kg (14 ft·lbs)
Flywheel Nut	M12: 8.0m·kg (58 ft·lbs)
Cylinder Head Cover	φ
Cylinder Head:	M8: 2.5m·kg (18 ft·lbs)
Engine Mounting Bolts: Front Stay	M8: 3.0m·kg (22 ft·lbs)
Front, Upper	M8: 3.0m·kg (22 ft·lbs)
Front, Lower	M8: 3.0m·kg (22 ft·lbs)
Upper Engine Bracket	M8: 5.5m·kg (40 ft·lbs)
Pivot	M16: 8.5m·kg (61 ft·lbs)

φ = Does Not Apply to This Model
 NA = Information Not Available

* = Available from YPDI
 ⊗ = For Diagnostic Use Only

SERVICE LITERATURE

PUBLICATION	PART NUMBER	REMARKS
Owner's Service Manual	LIT-11626-04-40	
Assembly Manual	LIT-11666-04-40	Supp. to YT/YTM Basic Assembly Manual